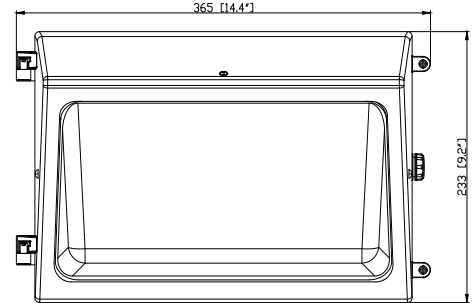
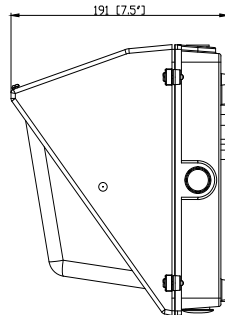




71425D - LED BRONZE MEDIUM WALL PACK

120-277V 60W 5000K



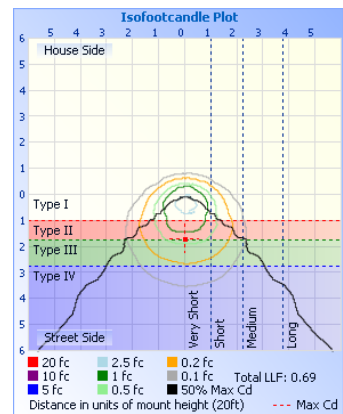
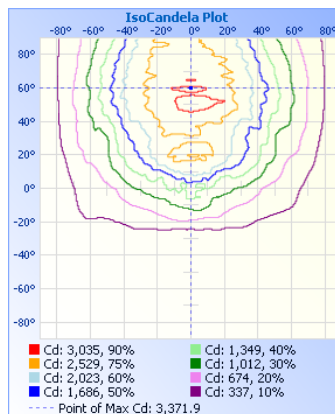
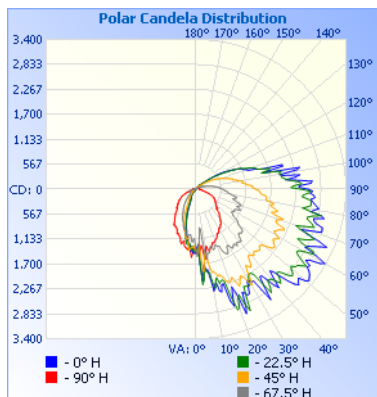
Built-In Photocell Included!

FEATURES:

- Die Cast Aluminum Housing/ Stainless Hardware
- Polyester Bronze Powder Coating
- Aluminum Heat Sink & Customized Fin Design for Optimal Heat Dissipation
- Heat Resistant Optics
- Borosilicate Glass Lens
- Photocontrol included with on/off switch
- Operation Temperature: -40°F - 104°F
- Emergency Battery Backup (Sold Separately)
- Light Pattern: 110°
- Certifications: ETL/cETL, DLC
- Wet Location Rated
- 5 Year Warranty

Part#	Housing Color	Wattage	Lumens	CCT	Voltage	Dimming	Replaces Metal Halide	DLC PRODUCT ID#:
71425D	Bronze	60W	7919	5000K	120-277V	0-10V	175W	S-MOXXKON

PHOTOMETRY:





71425D - LED BRONZE MEDIUM WALL PACK

120-277V 60W 5000K

TECHNICAL SPECIFICATIONS:

Electrical:

Input Voltage: 120V-277V

Current: see chart pg 1

Frequency: 50/60Hz

Power Factor: $\geq .90$

THD: $<20\%$ @120V

Product Parameters:

Efficacy: 132 lumens per watt

50,000+ Hour L70 Life Span

CCT: 5000K (Cool White)

Chromaticity Measurements:

Beam Angle: 110°

BUG Rating: B1-U4-G5

CRI: 74

R9: -30

Component Specifications:

LED

120V-277V

Dimming: 0-10V

Operating Temperature: -40°F - 104°F

Construction:

Housing: Die Cast Aluminum Alloy Powder Coated
Finish

Lens Material: Prismatic Borosilicate Glass Lens Lens:
UV Resistant, Fire Resistant

Ingress Protection: WET location Rated

Mounting: Wall Mount

Listings: cETLus, DLC: S-MOXK0N

Warranty:

Morris Products carries a 5 year warranty from date of purchase against defects in materials and workmanship (assuming normal and proper usage).