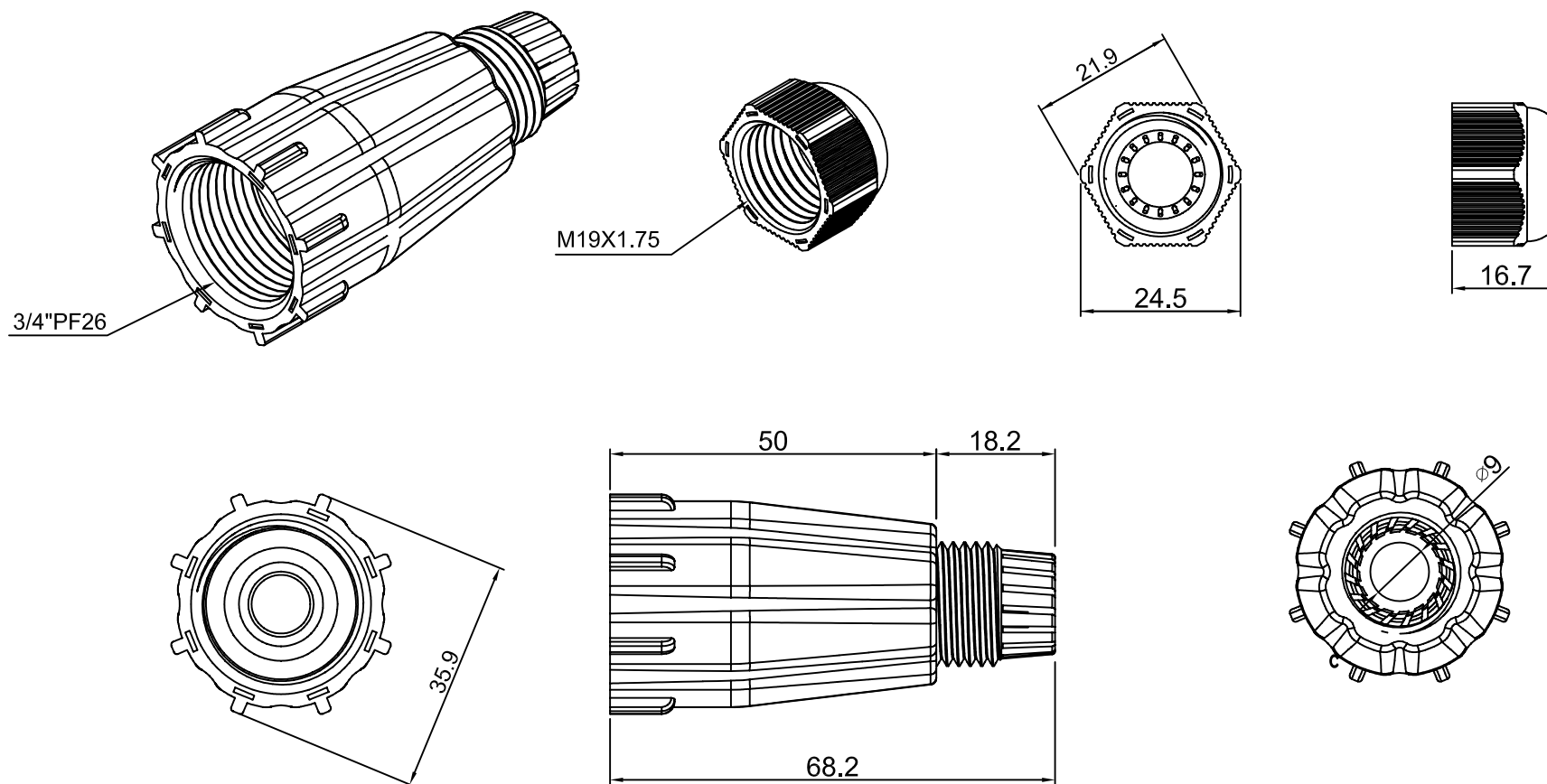


NOTE: ALL MATERIAL COMPLIANT ROHS STANDARD

REVISION INFORMATION			
Rev.	Rev. Date	Modified By	Brief Description



MATERIAL

MAIN BODY:NYLON PA-66 HIGH-IMPACT UL94V-0 THERMOPLASTIC.30% GLASS FIBER FILLED.
 SEALIN NUT:NYLON PA-66 HIGH-IMPACT UL94V-0 THERMOPLASTIC.30% GLASS FIBER FILLED.
 BACK GASKET:RUBBER.

PHYSICAL CHARACTERISTICS

OPERATING TEMPERATURE RANGE:-10℃ TO 60℃。
 STORAGE TEMPERATURE RANGE:-40℃ TO 68℃。
 HUMIDITY:10%~90%RH

56Y4

E145249



COMMUNICATION
CIRCUIT ACCESSORIES



NO.	PART NAME	SPECIFICATION DESCRIPTION	QTY	UNIT	PCS
①					

DRAWN BY	WLL	DATE:	2015/08/11	DESCRIPTION:	Patch Cable Waterproof Cap
CHECKED BY		SHEET	1 of 1	ITEM NO.	
APPROVED BY		SCALE	1:2	REV.	01
		UNIT:	mm		