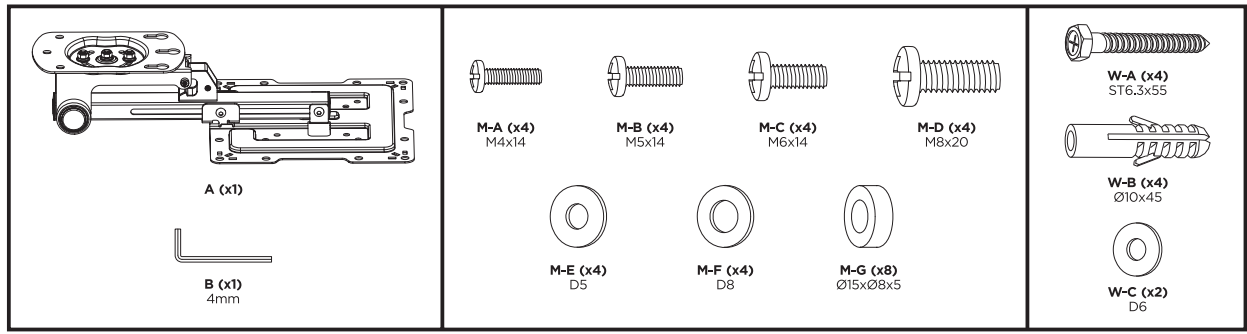
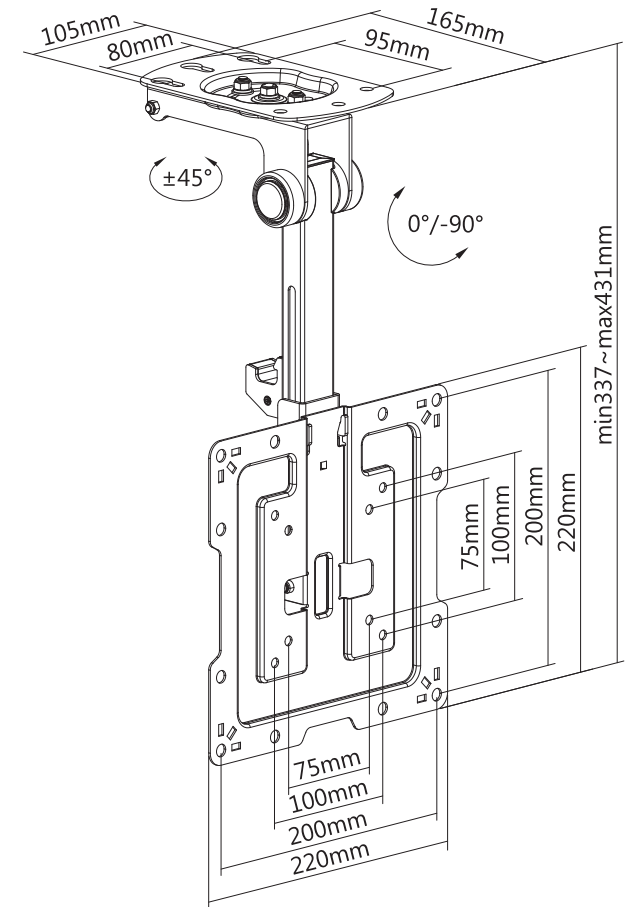


NOTE: ALL MATERIAL COMPLIANT ROHS STANDARD

REVISION INFORMATION			
Rev.	Rev. Date	Modified By	Brief Description



NO.	PART NAME	SPECIFICATION DESCRIPTION	QTY	UNIT
③				
②				
①				

Unless specified on the drawing, tolerances are per the follows:
 .x +1
 .X +0.2
 .XX +0.05

DRAWN BY	DATE: 2022/3/10	DESCRIPTION: Under Cabinet Folding TV Mount 19"- 43" LCD-CM322	
CHECKED BY	SHEET 1of1	ITEM NO.	
APPROVED BY	SCALE 1: 1	REV. 00	UNIT: mm

