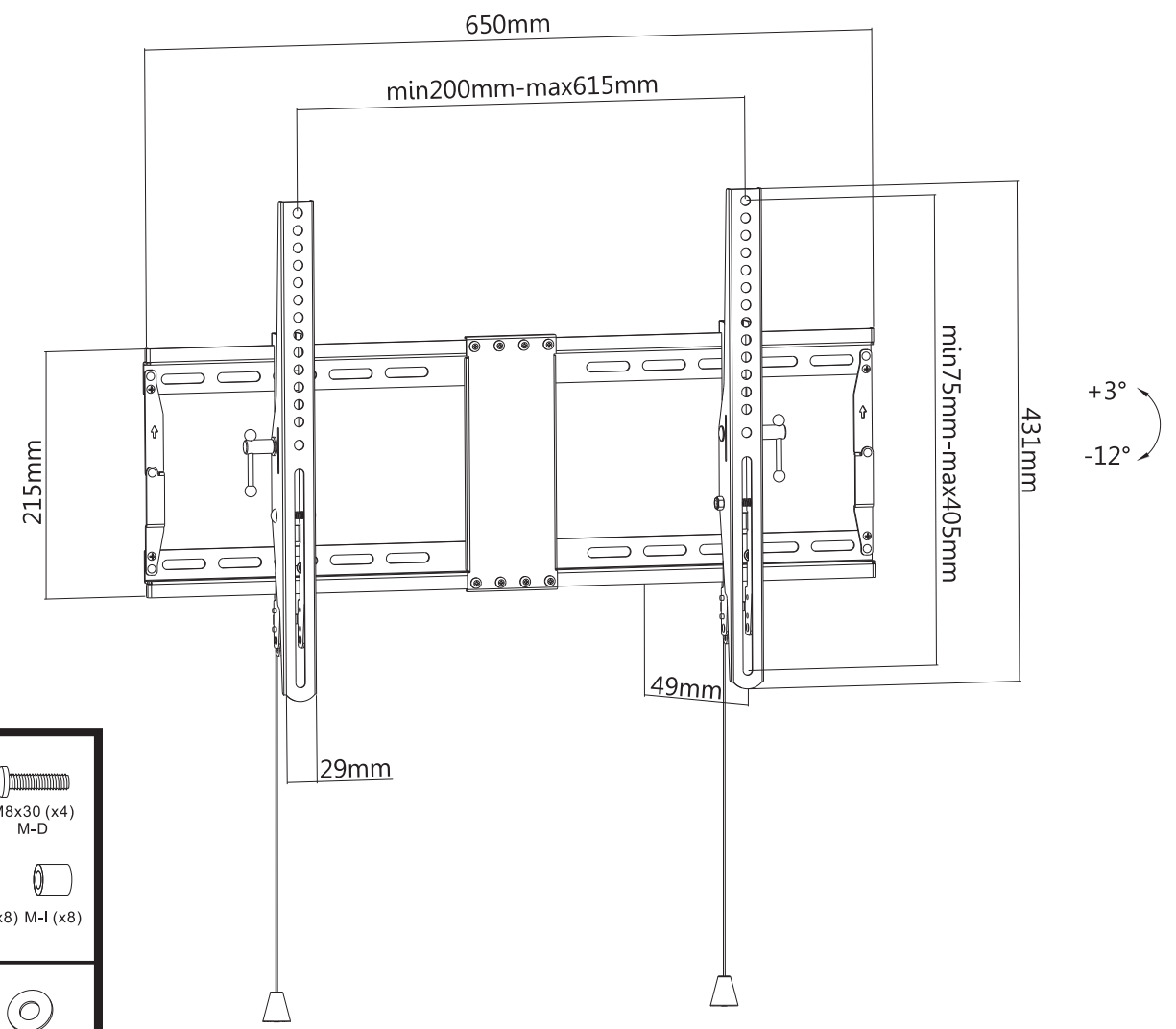
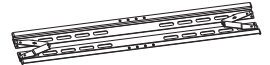





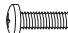
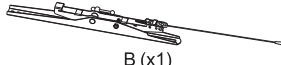
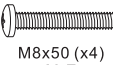












NOTE: ALL MATERIAL COMPLIANT ROHS STANDARD

REVISION INFORMATION			
Rev.	Rev. Date	Modified By	Brief Description



 A (x1)	 D (x1)	 E (x8)	 M5x14 (x4) M-A	 M6x14 (x4) M-B	 M6x30 (x4) M-C	 M8x30 (x4) M-D	
 B (x1)			 M8x50 (x4) M-E	 D5 (x4) M-F	 D8 (x4) M-G	 M-H (x8)	 M-I (x8)
 C (x1)	 F (x4)	 G (x1)	 W-A (x4)	 W-B (x4)	 W-C (x4)		



NO.	PART NAME	SPECIFICATION DESCRIPTION	QT'Y	UNIT
③				
②				
①				

Unless specified on the drawing, tolerances are per the follows:
 . +1
 .x +0.2
 .xx +0.05

DRAWN BY	DATE: 2018/11/2	DESCRIPTION: Tilt Wall Mount LP59-46T	
CHECKED BY	SHEET 1of1	ITEM NO.	
APPROVED BY	SCALE 1:1	REV. 00	UNIT: mm 