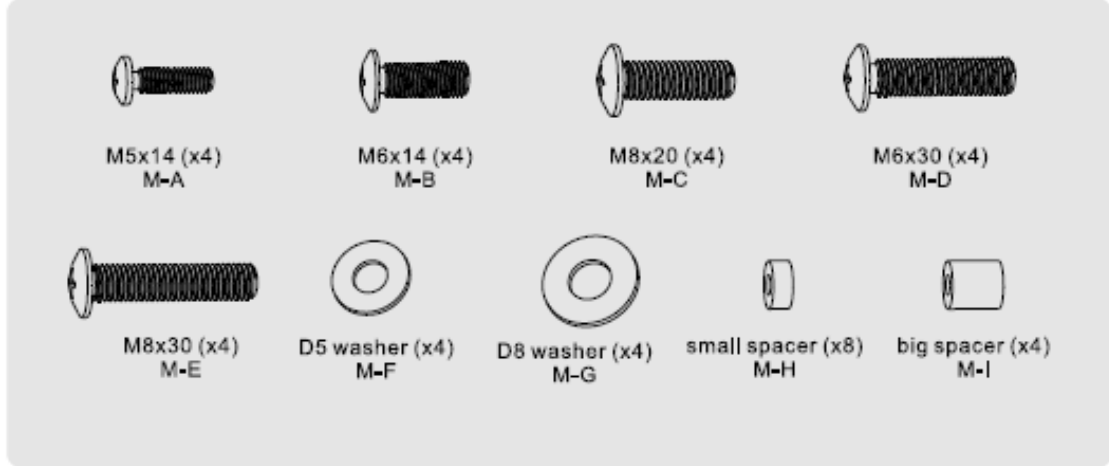


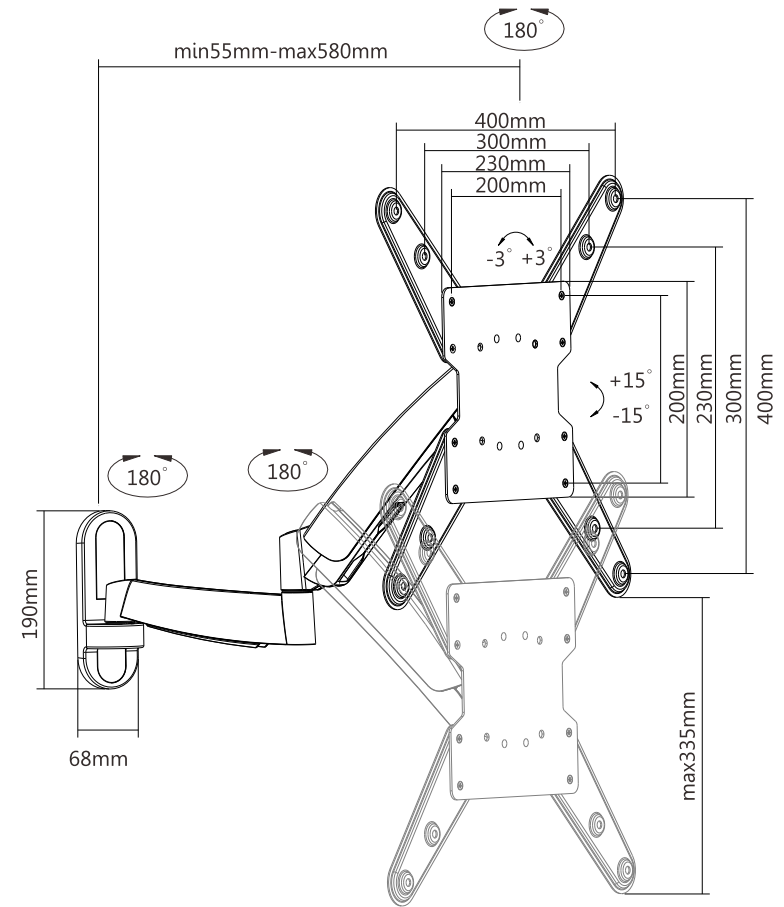
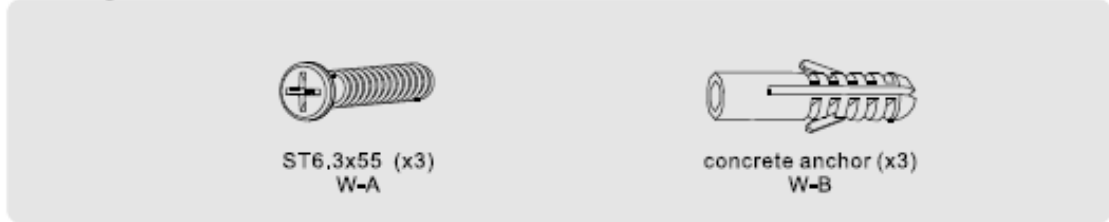
NOTE: ALL MATERIAL COMPLIANT ROHS STANDARD

REVISION INFORMATION			
Rev.	Rev. Date	Modified By	Brief Description

Package M

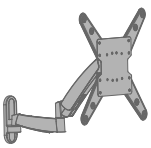


Package W



DRAWN BY	DATE: 2015/6/4	DESCRIPTION: Interactive Counterbalance Full-motion Wall Mount 26"~47"
CHECKED BY	SHEET 1 of 1	ITEM NO.
APPROVED BY	SCALE 1:1	REV. 00 UNIT: mm

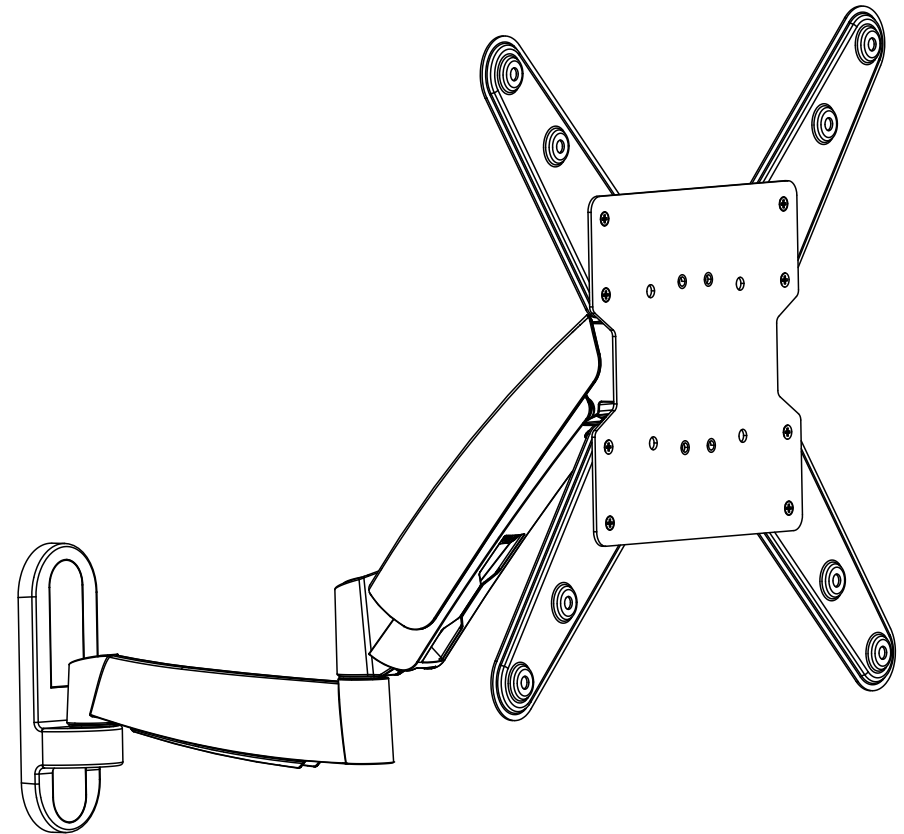
NO.	PART NAME	SPECIFICATION DESCRIPTION	QTY	UNIT



Counterbalance Full Motion LCD Wall Mount

Maintenance

- Check that the bracket is secure and safe to use at regular intervals(at least every three months).
- Please contact your distributor if you have any questions.



CAUTION: DO NOT EXCEED RATED LISTED WEIGHT. SERIOUS INJURY OR PROPERTY DAMAGE MAY OCCUR!

LDA08-442



100x100/200x100
200x200/400x200
300x300/400x400



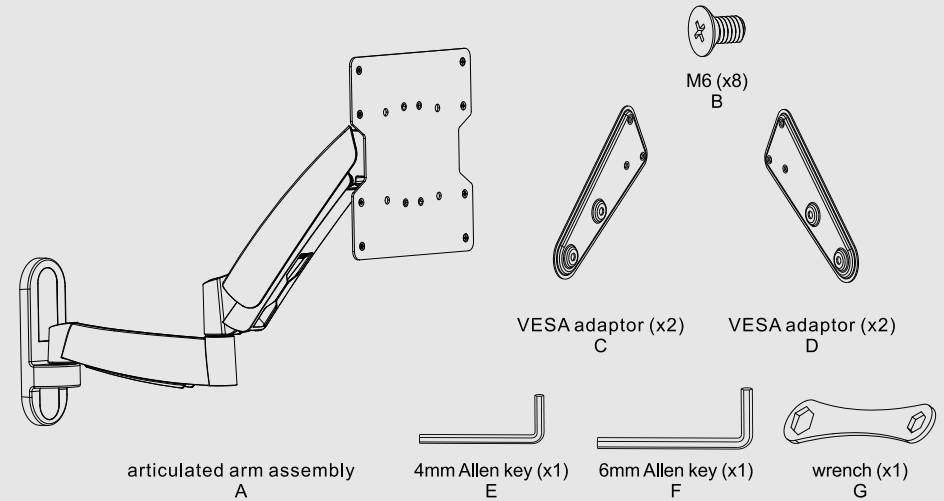
NOTE: Read the entire instruction manual before you start installation and assembly.

⚠ WARNING

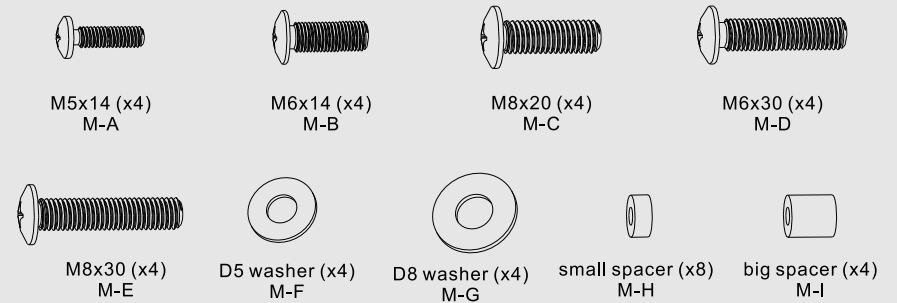
- Do not begin the installation until you have read and understood all the instructions and warnings contained in this installation sheet. If you have any questions regarding any of the instructions or warnings, please contact your local distributor.
- This mounting bracket was designed to be installed and utilised ONLY as specified in this manual. Improper installation of this product may cause damage or serious injury.
- This product should only be installed by someone with good mechanical ability who has basic building experience and fully understands this manual.
- Make sure that the supporting surface will safely support the combined weight of the equipment and all attached hardware and components.
- If mounting to wood wall studs, make sure that mounting screws are anchored into the center of the studs. The use of a stud finder is highly recommended.
- Always use an assistant or mechanical lifting equipment to safely lift and position the equipment.
- Tighten screws firmly, but do not over tighten. Over tightening can cause damage to the items, This greatly reduces their holding power.
- This product is intended for indoor use only. Using this product outdoors could lead to product failure and personal injury.

Component Checklist

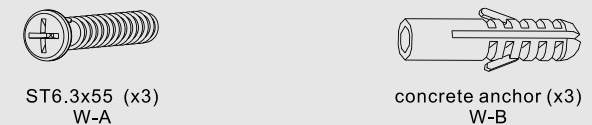
IMPORTANT: Ensure that you have received all parts according to the component checklist prior to installation. If any parts are missing or faulty, telephone your local distributor for a replacement.



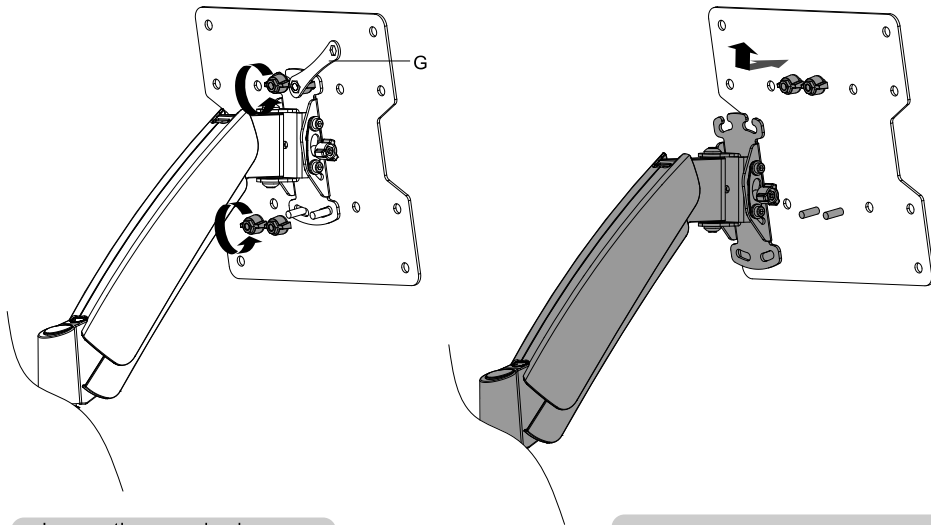
Package M



Package W



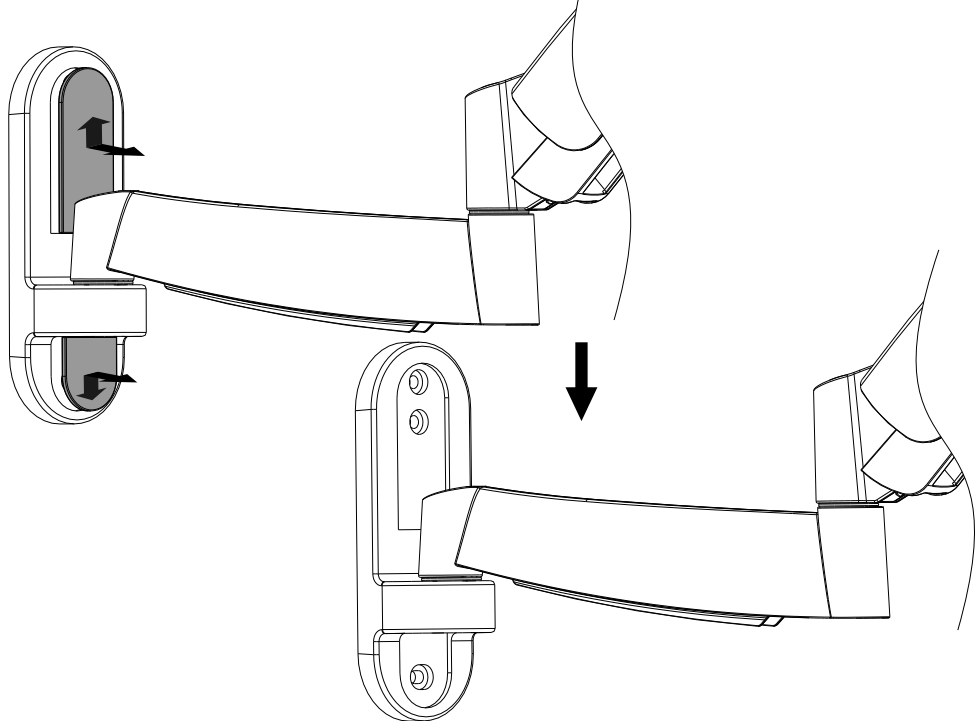
1. Separating the VESA Plate from the Wall Mount



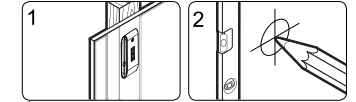
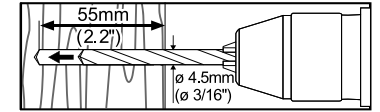
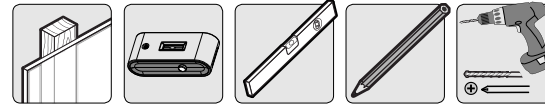
- Loosen the upper knobs.
- Then remove the lower knobs.

Remove the VESA plate.

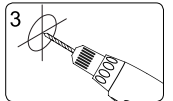
2. Removing the Decorative Covers



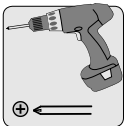
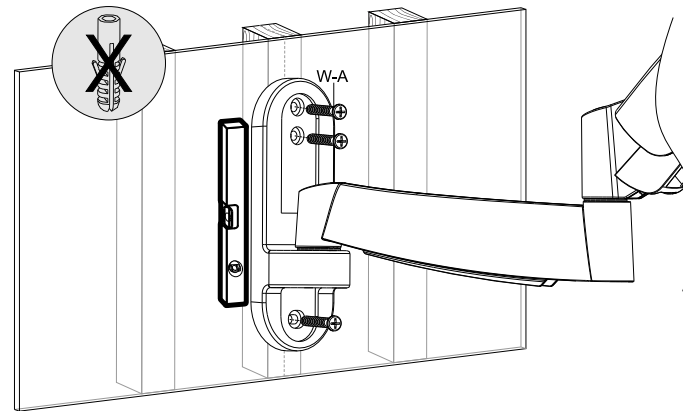
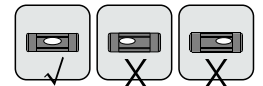
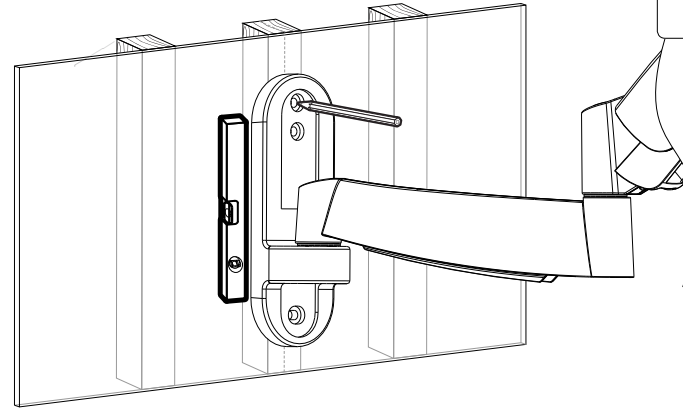
3a. For Wood Stud Wall Mounting



Find and mark the exact location of mounting holes



Drill pilot holes

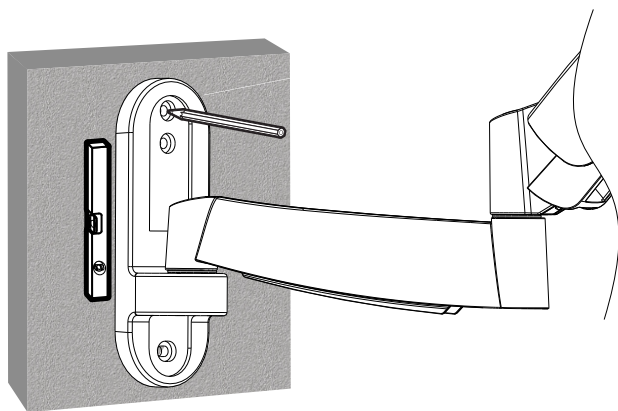
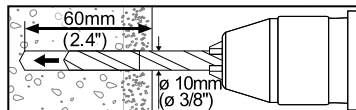
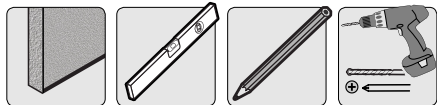


Screw the wall mount onto the wall

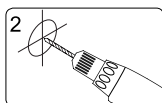
! WARNING

- Make sure that mounting screws are anchored into the center of the studs. The use of a stud finder is highly recommended.
- Installers are responsible to provide hardware for other types of mounting situations.
- Installers must verify that the supporting surface will safely support the combined weight of the equipment and all attached hardware and components.

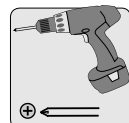
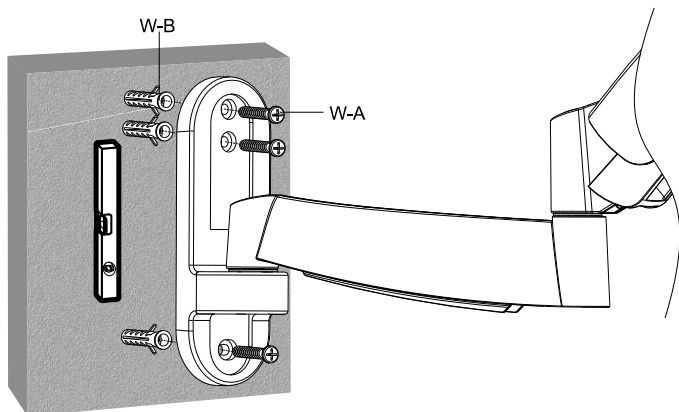
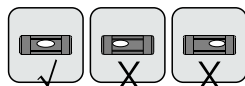
3b. For Solid Brick and Concrete Mounting



1
Mark the exact location of mounting holes

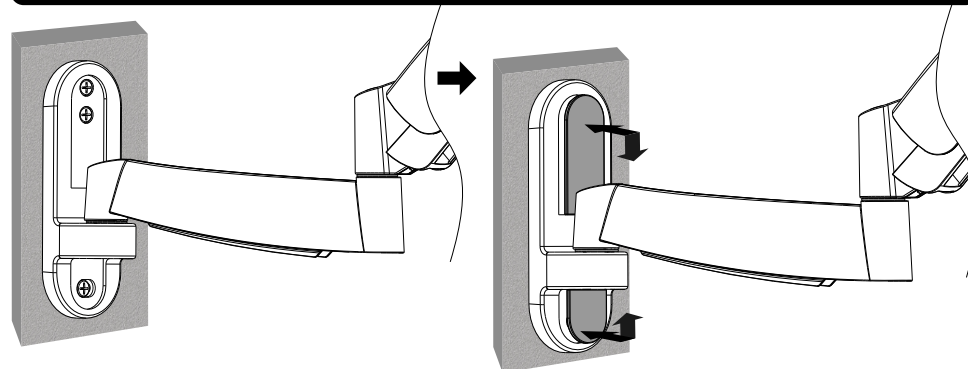


2
Drill pilot holes



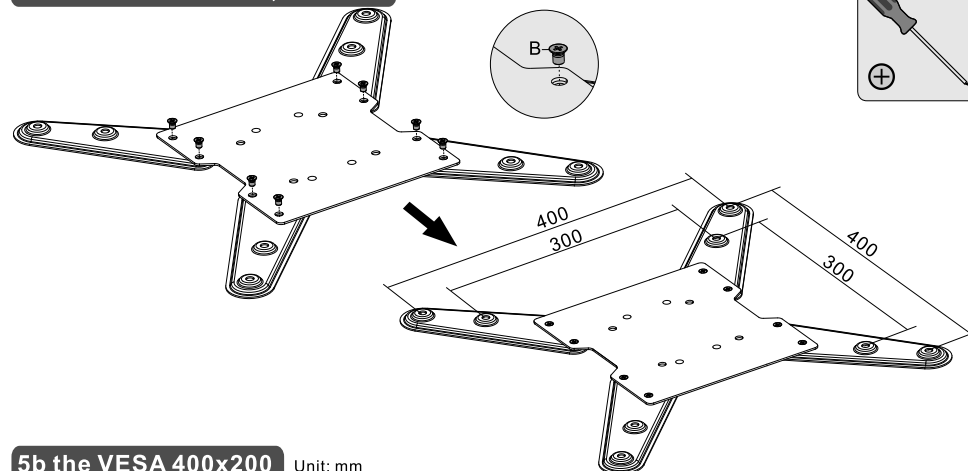
Screw the wall mount onto the wall

4. Installing the Decorative Covers

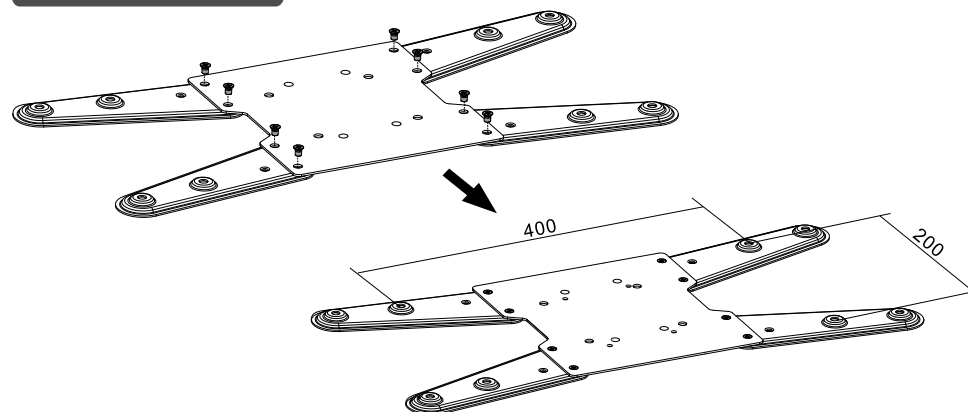


5. Assembling the VESA Adaptors

5a the VESA 300x300, 400x400 Unit: mm



5b the VESA 400x200 Unit: mm

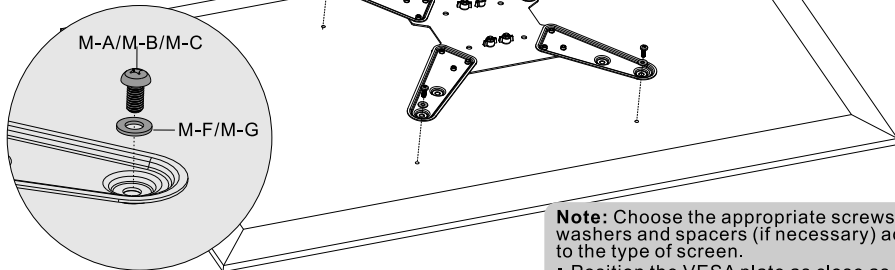
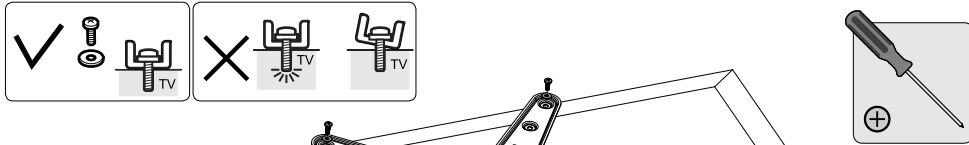


⚠ WARNING

Installers must verify that the supporting surface will safely support the combined weight of the equipment and all attached hardware and components.

6. Installing the VESA Plate

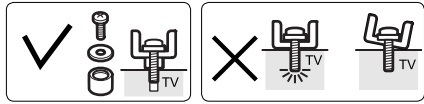
6-1 For Flat Back Screens



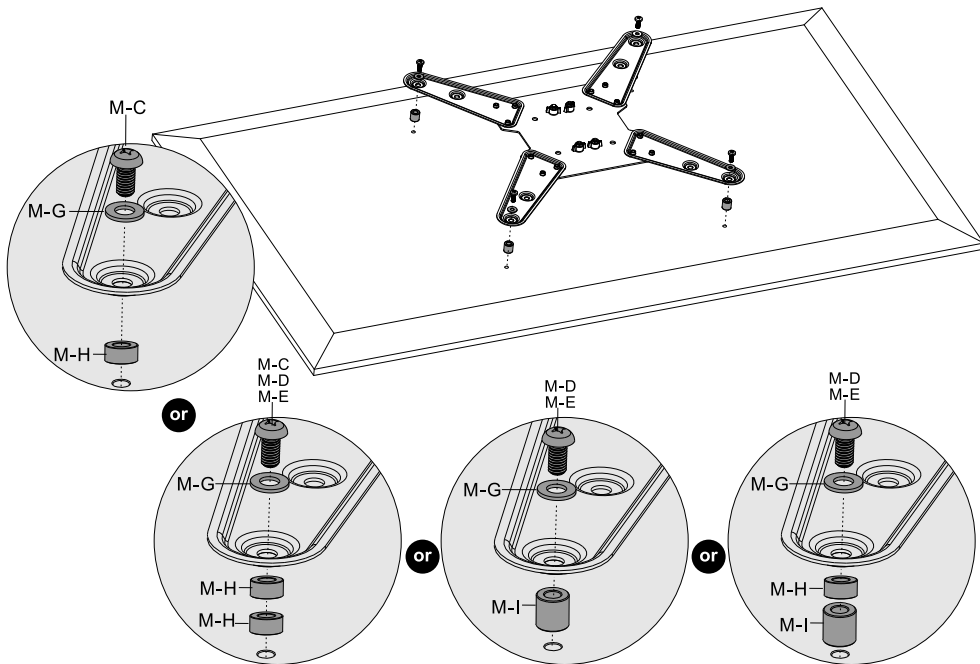
Note: Choose the appropriate screws, washers and spacers (if necessary) according to the type of screen.

- Position the VESA plate as close as possible to the center of the TV.
- Screw the VESA plate onto the TV.

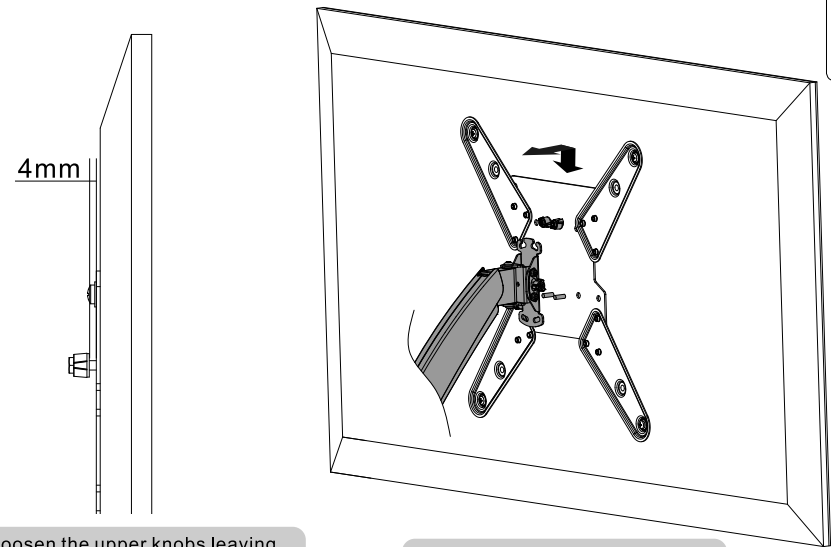
6-2 For Recessed Back Screens



⚠ Tighten all screws but do not over tighten.

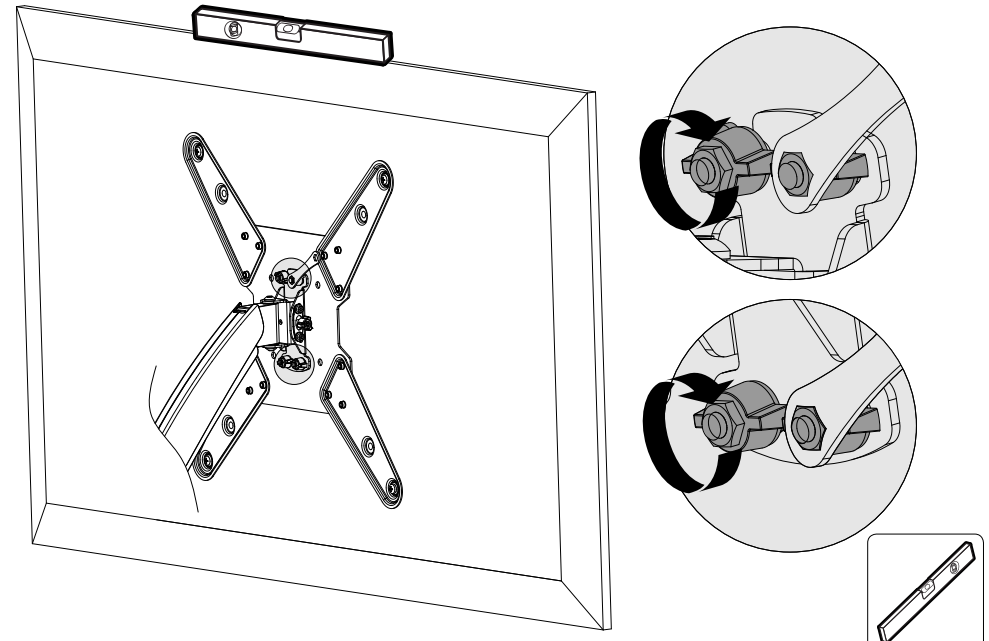


7. Hooking the TV onto the Wall Mount



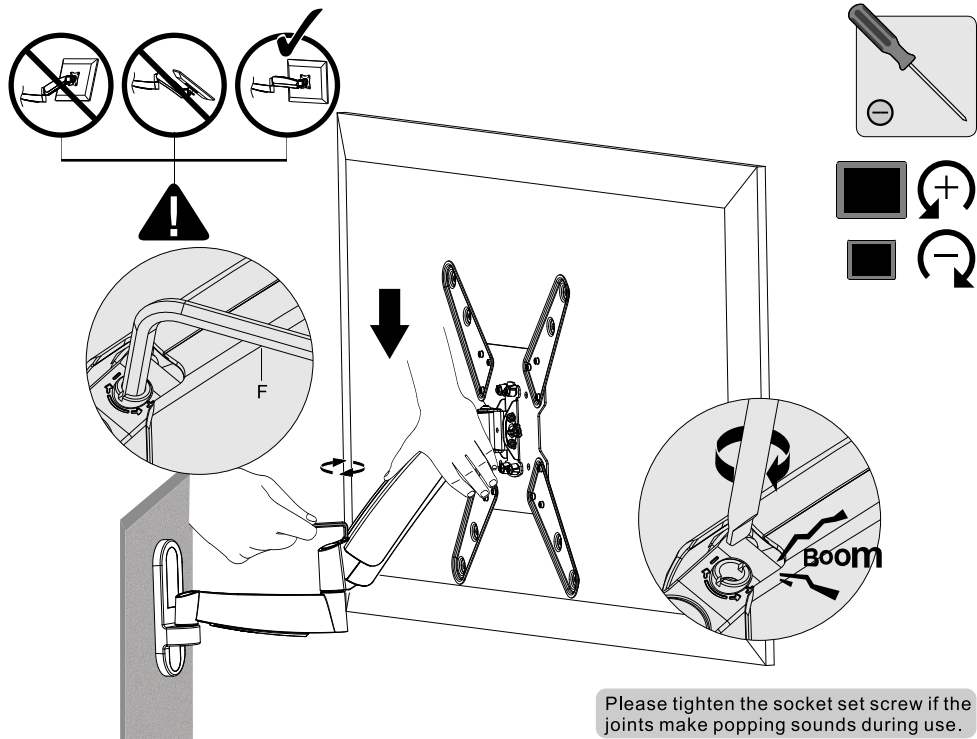
Loosen the upper knobs leaving a 4mm space to the VESA plate.

Hooking the TV onto the wall mount



- Level the TV.
- Place the lower knobs and tighten all knobs.

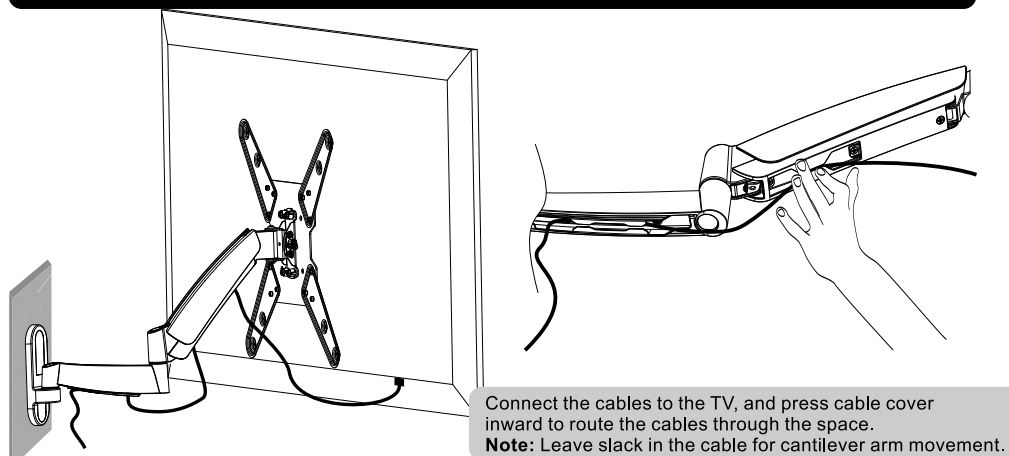
8. Tension Adjust



Please keep the arm level during tension adjustment. Use a proper Allen key to slightly loosen or tighten the adjustment screw according to the TV weight.

If TV settles on its own, rotate adjustment screw towards the "+" symbol.
If TV rises on its own, rotate adjustment screw towards the "-" symbol.

9. Cable Management



10. Adjustment

