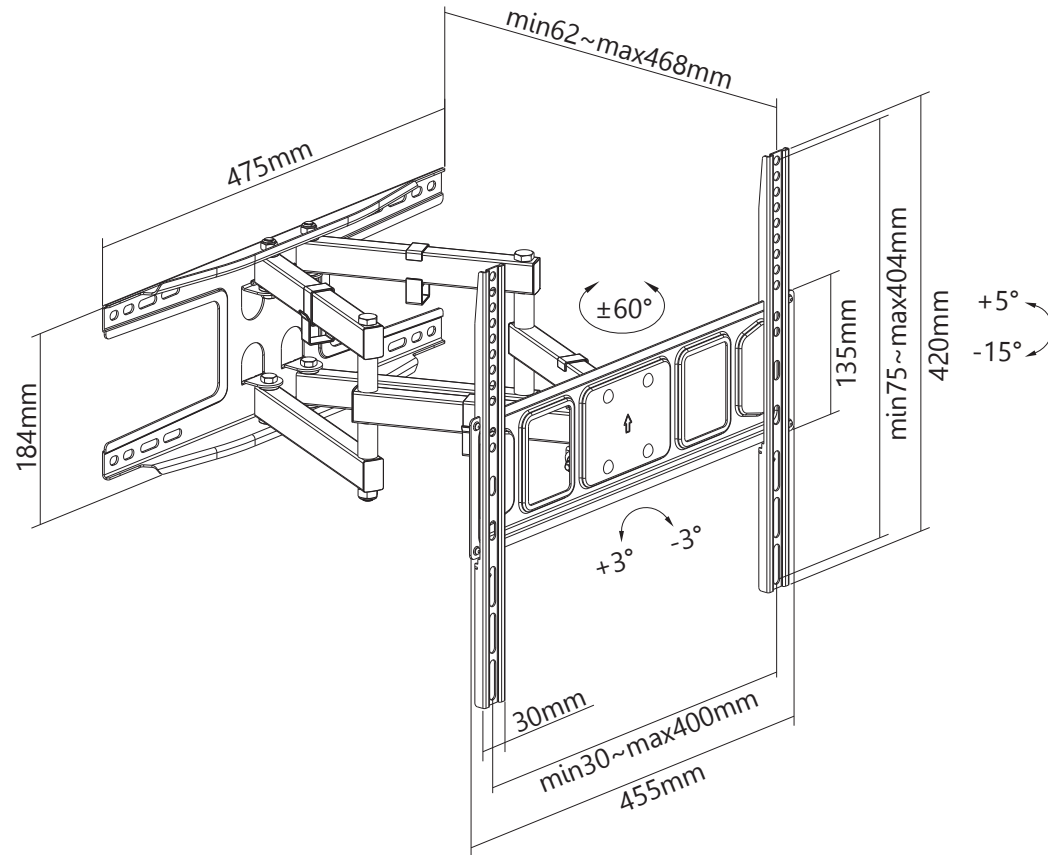
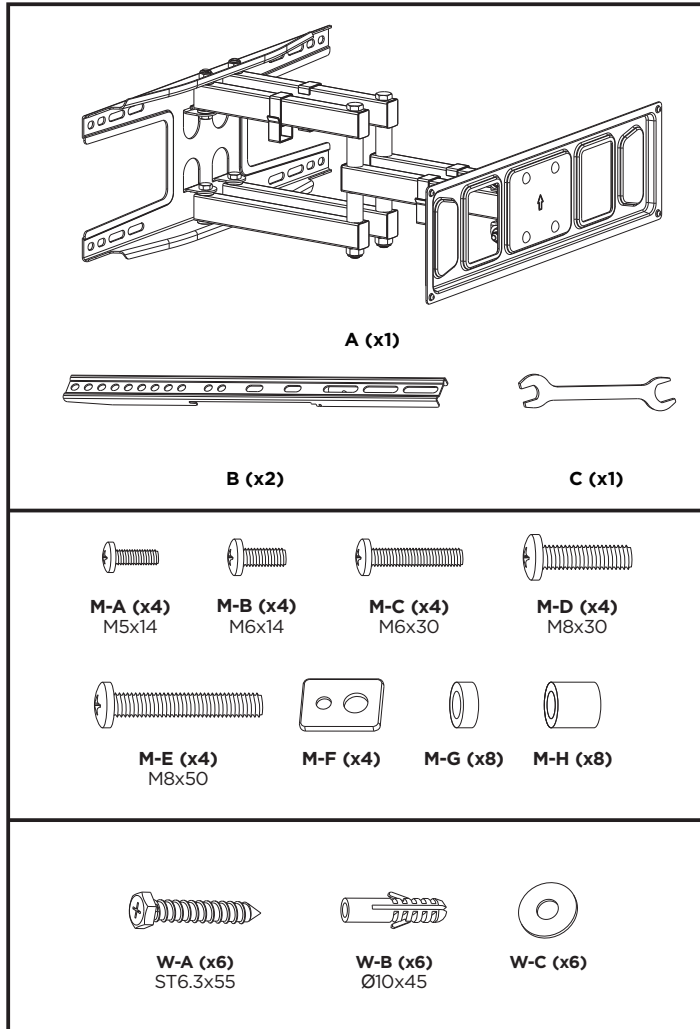


NOTE: ALL MATERIAL COMPLIANT ROHS STANDARD

REVISION INFORMATION

Rev.	Rev. Date	Modified By	Brief Description



NO.	PART NAME	SPECIFICATION DESCRIPTION	QT'Y	UNIT
③				
②				
①				

Unless specified on the drawing, tolerances are per the follows:

.           +1

.x          +0.2

.xx         +0.05

DRAWN BY	DATE: 2021/2/18	DESCRIPTION: Full Motion TV Wall Mount LPA63-446	
CHECKED BY	SHEET 1of1	ITEM NO.	
APPROVED BY	SCALE 1:1	REV. 00	UNIT:mm

