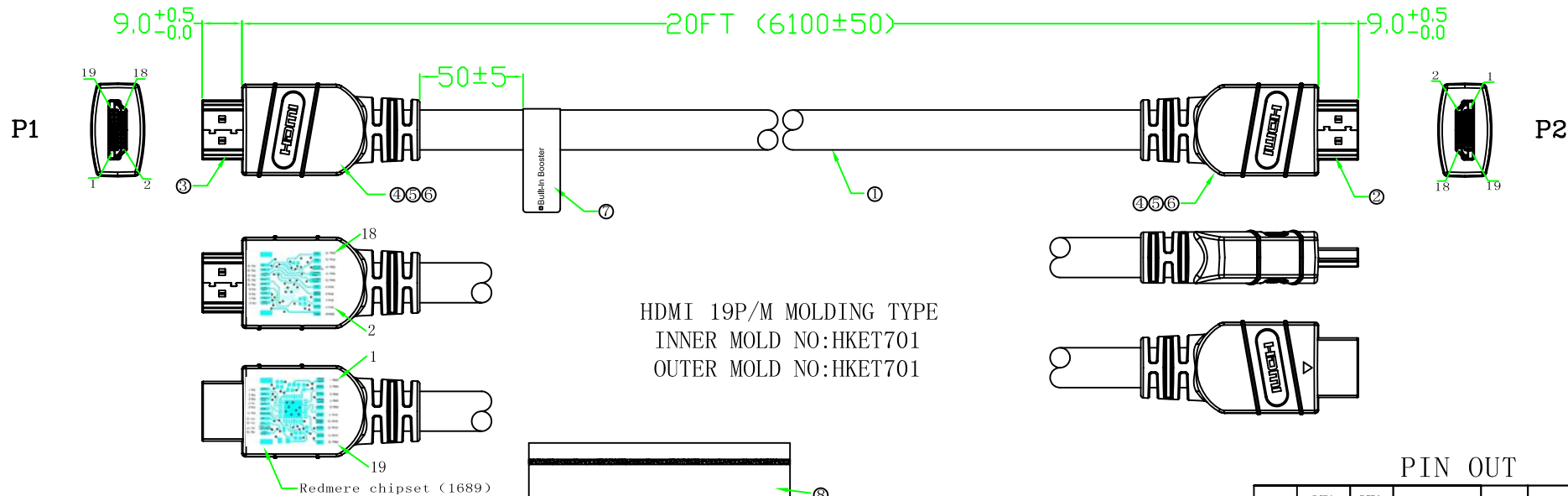


NOTE:ALL MATERIAL COMPLIANT ROHS STANDARD

REVISION INFORMATION			
Rev.	Rev.Date	Modified By	Brief Description



NOTE:

- CABLE: (30#*7/0.10mm TC*1P+DAM)*5+30#*4C+ADB
PVC JACKET:BLACK V1.4 OD:6.0±0.20mm
MARK:High Speed HDMI™ Cable with Ethernet
Exxxxx 兄 AWM 20276 80°C 30V VW-1
- CONNECTORS:
HDMI A/M, CONTACT:3U", SHELL:1U", INSULATION:BLACK.
- ELECTUONICAL TEST:
(1).100% OPEN SHORT & MISS WIRE TEST
(2).100% TV TESTING
- ROHS compliant

PIN OUT

P1	PCBA (1689)	PCBA 接线点	WIRE COLOR	P2	SIGNAL NAME
1	3	5	RED	1	TMDS Data2+
3	5	3	WHITE	3	TMDS Data2-
2	1	1	D.W	2	TMDS Data2 Shield
4	9	9	BROWN	4	TMDS Data1+
6	11	11	WHITE	6	TMDS Data1-
5	7	7	D.W	5	TMDS Data1 Shield
7	15	15	BLUE	7	TMDS Data0+
9	17	17	WHITE	9	TMDS Data0-
8	13	13	D.W	8	TMDS Data0 Shield
10	2	2	GREEN	10	TMDS Clock+
12	4	4	WHITE	12	TMDS Clock-
11	6	6	D.W	11	TMDS Clock- Shield
13	8	8	RED	13	CEC
14	10	10	BLACK	14	UTILITY
19	12	12	WHITE	19	Hot Plug Detect
17	14	14	D.W	17	DDC/CED Ground
15	16	16	YELLOW	15	SCL
18	18	18	VIOLET	18	SDA
18	19	19	WHITE	18	+5V Power
SHELL	SHELL	BRAID	SHELL		

NO.	PART NAME	SPECIFICATION DESCRIPTION	QTY	UNIT
⑪	LABLE	HKET701PBB/Z-U026 20FT 80g Art paper,Neutral sticker (60*40mm)	1	PCS
⑩	CAP	HDMI A TYPE (PVC:TRANSPARENCE)	2	PCS
⑨	MIN TIES	PVC/BLACK L=150mm	2	PCS
⑧	PE BAG	260*300*T0.08mm	1	PCS
⑦	LABLE	LABLE:60*12mm MARK:■Bult-In Booster ■Connect to Dtsplay	1	PCS
⑥	PVC	45P PVC BLACK	0,012	KG
⑤	PE	PE:LDPE NATURE	0,008	KG
④	H.S TUBE	φ1.0mm*L18mm BLACK SUPER THIN	2	PCS
③	CHIP	Redmere Chip (1689)	1	PCS
②	HDMI	HDMI A TYPE 19P/M,GOLD PLATED 3U",SHELL GOLD PLATED 1U" SOLDER	1	PCS
①	CABLE	(30#*7/0.10mm TC*1P+DAM)*5+30#*4C+ADB PVC JACKET:BLACK V1.4 OD:6.0±0.20mm L=6130mm ROHS	1	PCS

DRAWN BY	DATE: 2011/12/31	DESCRIPTION: HDMI Cable with Redmere 20FT,30AWG, OD:6.0mm
CHECKED BY	SHEET 1 of 1	ITEM NO. 181340
APPROVED BY: JOEY	SCALE 1:1	REV.00 UNIT: mm