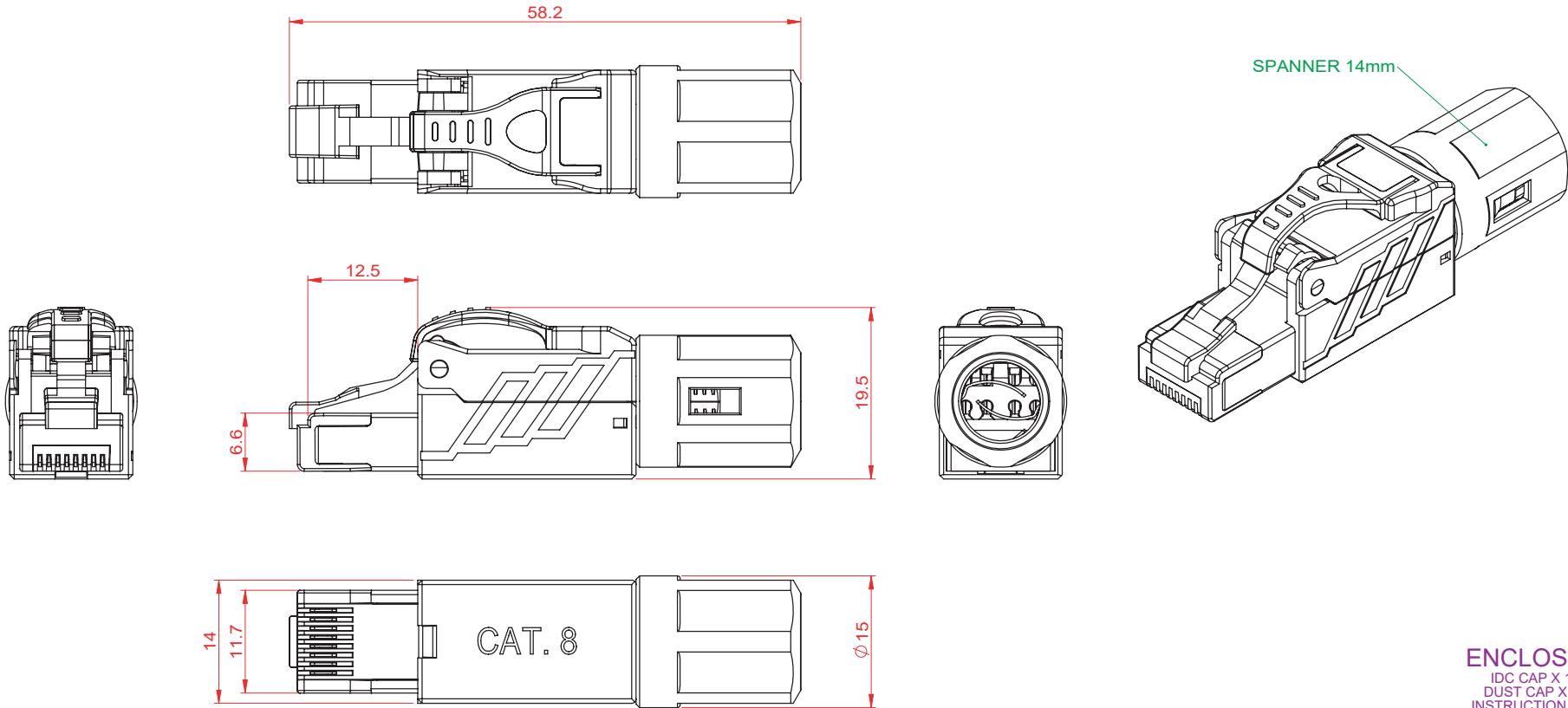


NOTE: ALL MATERIAL COMPLIANT ROHS STANDARD

ACCORDING TO : ANSI/TIA-568.2-D
 ISO/IEC 11801-1
 IEC 60603-7
 IEEE 802.3bt Power over Ethernet Plus Plus(4PPoE) application
 IEC 60512-99-002 Mating and un-mating connectors under electrical load

REVISION INFORMATION			
Rev.	Rev. Date	Modified By	Brief Description



ENCLOSURE
 IDC CAP X 1 PC
 DUST CAP X 1 PC
 INSTRUCTION X 1 PC

MATERIAL

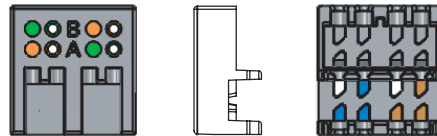
SHIELD CONTACT : NICKEL SILVER ALLOY.
 PLUG HOUSING : ZINC ALLOY, NICKEL PLATED.
 CONTACT HOLDER : PC, UL94V-0.
 PLUG CONTACTS : PHOSPHOR BRONZE, 50U" GOLD PLATED ON CONTACT AREA.
 IDC PLASTIC : PC, UL94V-0.
 IDC TERMINALS : PHOSPHOR BRONZE, TIN OVER NICKEL UNDERCOAT.

PHYSICAL CHARACTERISTICS

INSERTION LIFE : 750 MATING CYCLES.
 PLUG RETENTION FORCE : 11 LBF MINIMUM.
 INSERTION FORCE : 30 N MAXIMUM.
 RE-TERMINATION : UP TO 20 TIMES.
 CONTACT COMPATIBILITY : ACCOMMODATES 22 TO 26 AWG SOLID OR STRANDED.
 CABLE JACKET DIAMETER : 6.5 mm TO 8.5 mm
 OPERATING TEMPERATURE RANGE : -10 °C TO 60 °C.
 STORAGE TEMPERATURE RANGE : -40 °C TO 68 °C.
 HUMIDITY : 10% TO 90% RH (NON-CONDENSING).

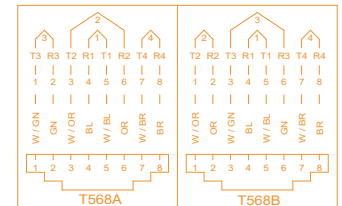
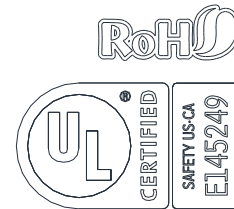
ELECTRICAL

INSULATION RESISTANCE : 500 MΩ MINIMUM.
 DC CURRENT RATING : 1.5 Amps.
 INPUT TO OUTPUT D.C. RESISTANCE FOR SHIELD : 100 mΩ MAXIMUM.
 INPUT TO OUTPUT D.C. RESISTANCE : 200 mΩ MAXIMUM.
 CONTACT RESISTANCE : 20 mΩ MAXIMUM.
 VOLTAGE PROOF (CONTACT TO CONTACT) : 1000 V D.C. OR A.C. PEAK.
 VOLTAGE PROOF (CONTACT TO SHIELD) : 1500 V D.C.



IDC CAP

Cat 8
 56Y4
 E145249



NO.	PART NAME	SPECIFICATION DESCRIPTION	QTY	UNIT
③				
②				
①				

Unless specified on the drawing, tolerances are per the follows:
 .x +1
 .x +0.2
 .xx +0.05

DRAWN BY Shou	DATE: 4/13/2020	DESCRIPTION: Cat.8 RJ45 Tool Less Shielded Plug
CHECKED BY	SHEET 1 of 3	ITEM NO.
APPROVED BY	SCALE 1:1	REV. 00 UNIT:mm