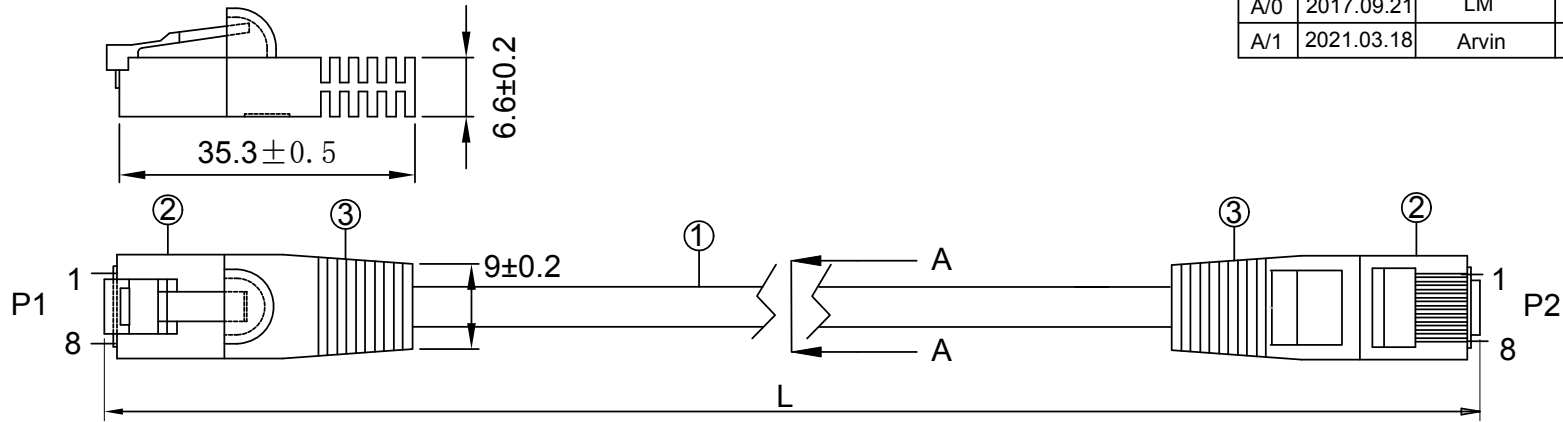


NOTE: ALL MATERIAL COMPLIANT ROHS STANDARD

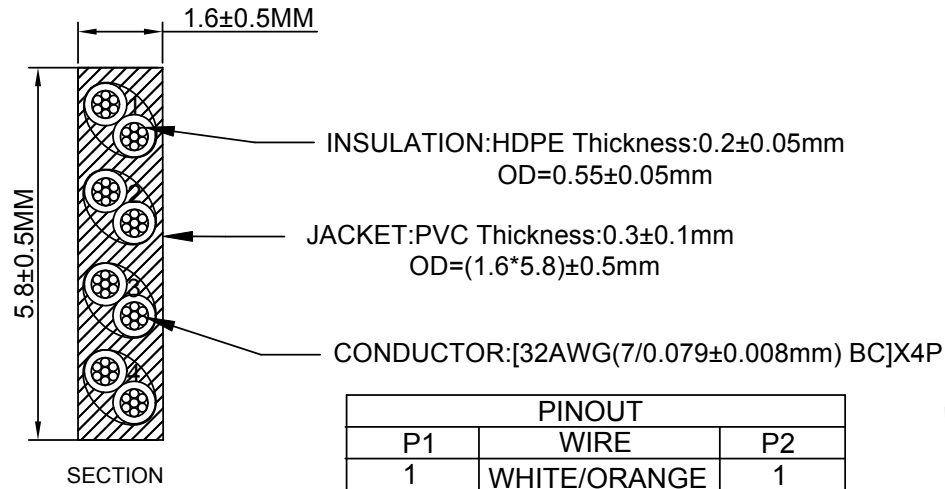
REVISION INFORMATION			
Rev.	Rev. Date	Modified By	Brief Description
A/0	2017.09.21	LM	NEW
A/1	2021.03.18	Arvin	Add "Plug Size" "Wire printing" "Operating temperature"



INK MARKING<LP566>: CAT.6 FLAT CABLE

Operation Temperature:-20°C~+60°C  
conductor resistance:566 $\downarrow$ ( $\Omega$ /Km) at 20°C

Jacket Color  
BK012



orange 1	green 2
white/orange	white/green
blue 3	brown 4
white/blue	white/brown

PINOUT		
P1	WIRE	P2
1	WHITE/ORANGE	1
2	ORANGE	2
3	WHITE/GREEN	3
6	GREEN	6
5	WHITE/BLUE	5
4	BLUE	4
7	WHITE/BROWN	7
8	BROWN	8

L(ft)	T(inch)	T(%)	L(ft)	T(inch)	T(%)
0.5	±0.6	10%	4	±1.2	2.5%
1	±1.2	10%	5	±1.2	2%
1.5	±1.2	6.67%	6	±1.2	1.67%
2	±1.2	5%	7	±2	2.38%
3	±1.2	3.33%			



NO.	PART NAME	SPECIFICATION DESCRIPTION	QT'Y	UNIT
③	MOLD	PVC YU-21	A/R	Kg
②	PLUG	8P8C 50U RJ45	2	PCS
①	CABLE	FLAT PATCH CAT.6 UTP PVC 32AWG*4P BC	A/R	M

DRAWN BY Arvin	DATE: 2021/03/18	DESCRIPTION: FLAT PATCH C6 UTP 32AWG 4P
CHECKED BY YB	SHEET 1 of 1	ITEM NO.
APPROVED BY CQ	SCALE 1:1	REV. 01 UNIT:mm



## Category 6 UTP Flat Patch Cable, 32AWGx4P, TYPE CMH

### STANDARD COMPLIANCES

All Proposed Category 6 Requirements as Per ANSI/TIA, ISO/IEC, and CENELEC EN Standards:

ANSI/TIA-568-C.2 Cat.6

ISO/IEC 2<sup>nd</sup> Edition 11801 Class D

IEC 61156-6, CENELEC 2<sup>nd</sup> Edition EN 50288-6-2 for patch cable

Flame Retardancy is verified according to IEC 60332-1-2

We Implemented RoHS Compliance for the Requirement of European Union Issued Directive 2011/65/EU.

### CONSTRUCTION & CHARACTERISTICS

Conductor	Material / Size	Bare Copper /32AWG
Insulation	Material	HDPE
	Diameter	Nominal: 0.55 mm
	Colors	Blue/White-Blue Orange/White-Orange Green/White-Green Brown/White-Brown
	Unaged Elongation	Min. 300%
	Unaged Tensile Strength	Min. 1.683 Kgf/mm <sup>2</sup>
Jacket	Material	PVC
	Diameter	Nominal: 1.6x6.4 mm
	Color	Assorted upon request
	Unaged Elongation	Min. 100%
	Unaged Tensile Strength	Min. 1.407 Kgf/mm <sup>2</sup>
	Aging at 100°C for 168Hrs	Min. elongation retention: 50% Min. tensile strength retention: 75%
Marking		YFC CAT.6 UTP 32AWGX4P FLAT PATCH CABLE
		or as customer request.

### APPLICATIONS

1000BASE-T Gigabit Ethernet

10BASE-T 100BASE-T Fast Ethernet(IEEE 802.3)

100VG-AnyLAN(IEEE802.12) 155/622 Mbps ATM

Voice, T1, ISDN

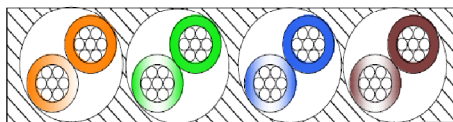
### ELECTRICAL PERFORMANCES

Dielectric Strength of Insulation	1500 V dc / 2 seconds
Insulation Resistance Test	Min. 5000 MΩ·Km
Conductor Resistance	Max. 9.38 Ω/100m at 20°C

Resistance Unbalance		Max. 2%	
Capacitance Unbalance		Max. 160 pF/100m	
Mutual Capacitance		Max. 5600 pF/100m	
Impedance	1~250MHz	100Ω ± 15%	
Near End Cross Talk & PSNEXT	Frequency	NEXT	PSNEXT
	(MHz)	(dB),Min.	(dB),Min.
	1 MHz	74.3 *	72.3 *
	4 MHz	65.3 *	63.3 *
	10 MHz	59.3 *	57.3 *
	16 MHz	56.2 *	54.2 *
	20 MHz	54.8 *	52.8 *
	31.25 MHz	51.9 *	49.9 *
	62.5 MHz	47.4 *	45.4 *
	100 MHz	44.3 *	42.3 *
	155 MHz	41.4 *	39.4 *
	200 MHz	39.8 *	37.8 *
	250 MHz	38.3 *	36.3 *

The asterisked (\*) value are for information only. The minimum Next coupling loss for any pair combination at room temperature is to be greater than the value determined using the formula:  
 $NEXT(f\text{ MHz}) \cong NEXT(0.772) - 15\text{LOG}_{10}(f\text{ MHz}/0.772)\text{dB}$

## CONFIGURATION



orange/white orange

green/white green

brown/white brown

blue/white blue