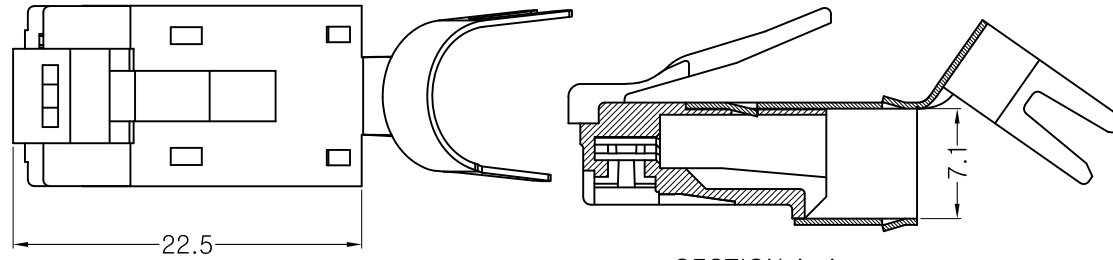


NOTE:ALL MATERIAL COMPLIANT ROHS STANDARD

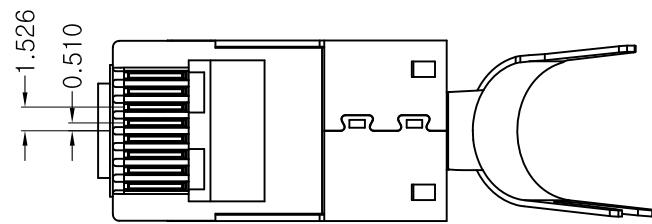
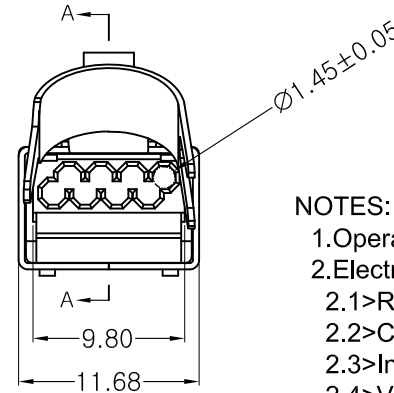
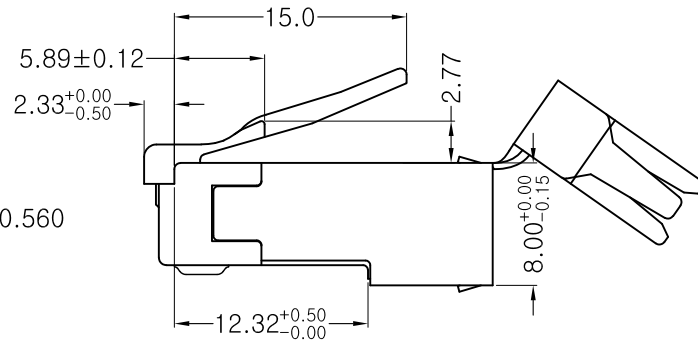
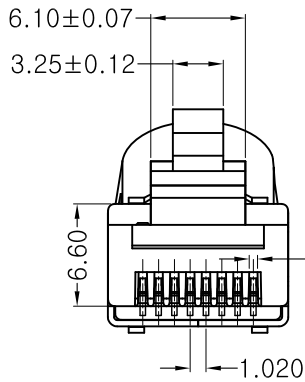
11*0971****

REVISION INFORMATION

Rev.	Rev. Date	Modified By	Brief Description



SECTION A-A




NOTES:

- 1.Operation Temperature:-40℃~+85℃.
- 2.Electrial Characteristics:
 - 2.1>Rated Current:125V AC,1.5A@25℃.
 - 2.2>Contact Resistance:20mΩ Max.
 - 2.3>Insulation Resistance:500MΩ Min,100V DC/min.
 - 2.4>Voltage Proof: 1000V AC/1 minute no breakdown.
- 3.Mechanical Characteristics:
 - 3.1>Insertion Force & Withdrawal Force:30N Max.
 - 3.2>Durability:750 cycles Min.
- 4.Environmental compliance:
 - 4.1>the products are compliant with the RoHS, and REACH etc.
- 5.CONDUCTOR:STRANDED&SOLID WIRE,22AWG,24AWG.
(It can be used for the wire OD fromØ1.35~Ø1.45mm.)

3	BOOT		1PCS	32*4900**		BOOT,Material: PC,UL94V-2,OD8.5mm	Transparent PC
2	Load Bar		1PCS	30*0444**		Load Bar,4Up and 4Down Ø1.50mm	Transparent PC
1	Modular Plug	Shell	1PCS	45*40**06	Square hole	Au: G/F" <input type="checkbox"/> 1u" <input type="checkbox"/> 3u" <input type="checkbox"/> Ni:80u" <input checked="" type="checkbox"/>	Brass <input checked="" type="checkbox"/> Spcc <input type="checkbox"/>
		Contacts	8PCS	/	2Prongs <input type="checkbox"/> 3Prongs <input checked="" type="checkbox"/>	G/F" <input type="checkbox"/> 1u" <input type="checkbox"/> 3u" <input type="checkbox"/> 6u" <input type="checkbox"/> 15u" <input type="checkbox"/> 30u" <input type="checkbox"/> 50u" <input checked="" type="checkbox"/> OTHER <input type="checkbox"/>	Brass <input type="checkbox"/> Phosphor copper <input checked="" type="checkbox"/>
		Housng	1PCS	21*0071**	CAT8/FTP HOUSING/LONG BODY/4UP AND 4DOWN	94V-2 <input checked="" type="checkbox"/> 94V-0 <input type="checkbox"/>	
NO	NAME	QTY	PART NO.	DESCRIPTION	MATERIAL		

DIMENSIONAL TOLERANCE	X.X	±0.20
	X.XX	±0.10
	X.XXX	±0.05
ANGLE		±2°



DRAWN BY	DATE 2021.06.18	DESCRIPTION: RJ45 Cat.8 Shielded Plug Solid 50Micron 1.5mm dia 3Prong W/Inserter 100/tray
CHECKED BY	SHEET 1 of 3	ITEM NO:
APPROVED BY	SCALE 1:1	REV:00
		UNIT:mm