

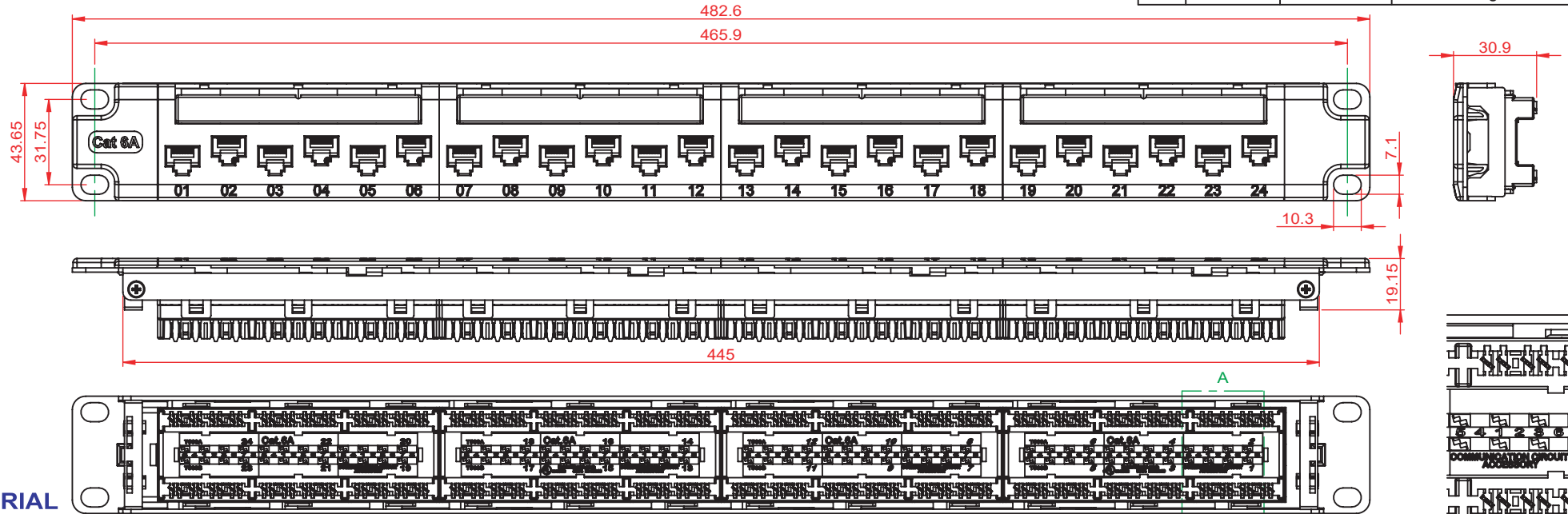
NOTE: ALL MATERIAL COMPLIANT ROHS STANDARD

ACCORDING TO : ANSI/TIA-568-C.2

ISO/IEC 11801
IEC 60603-7
IEEE 802.3at Power over Ethernet Plus (PoE+) application
IEC 60512-99-001 Mating and un-mating connectors under electrical load

REVISION INFORMATION

Rev.	Rev. Date	Modified By	Brief Description
V0	03/18/2022	Mark	Initial issue
V1	03/24/2022	Mark	Changed outer box



MATERIAL

PANEL : SPCC
SHIELDED CASE : BRASS,NICKEL PLATED.
PLASTIC FRAME : ABS,UL94V-0.
CONTACT HOLDER : PC,UL94V-0.
JACK CONTACTS : PHOSPHOR BRONZE,50U" GOLD PAINTING.
IDC PLASTIC : PC,UL94V-0.
IDC TERMINALS : PHOSPHOR BRONZE,TIN OVER NICKEL UNDERCOAT.

PHYSICAL CHARACTERISTICS

SUITABLE IMPACT TOOL : 110/KRONE STYLE PUNCH DOWN TOOL.
INSERTION LIFE : 750 MATING CYCLES WITH FCC COMPLIANT 8P PLUG.
CONTACT FORCE : 100 GRAMS WITH FCC COMPLIANT
PLUG RETENTION FORCE : 11 LBF MIN.
DURABILITY : 200 TERMINATION CYCLES.
CONTACT COMPATIBILITY : ACCOMMODATES 22 TO 24 AWG SOLID.
OPERATING TEMPERATURE RANGE : -10
STORAGE TEMPERATURE RANGE : -40
HUMIDITY : 10%~90%RH.

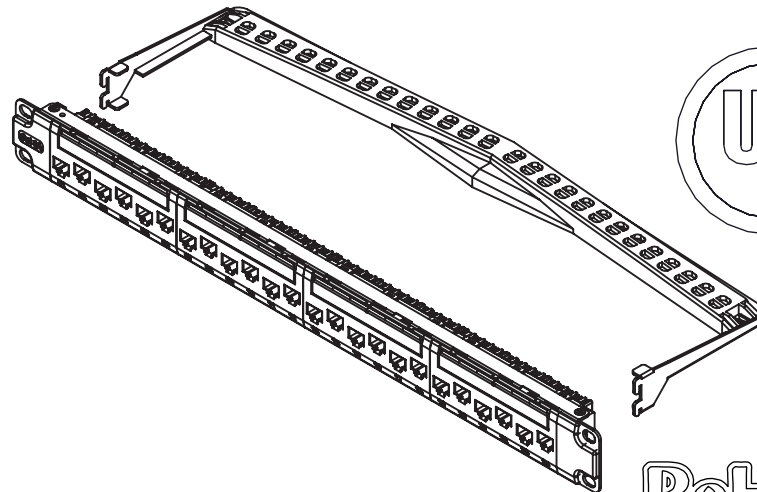
ELECTRICAL

INSULATION RESISTANCE : 500 MΩ.
DIELECTRIC WITHSTANDING VOLTAGE : 1000 V AC.
DC CURRENT RATING : 1.5 Amps.
DC RESISTANCE : 0.1Ω.
CONTACT RESISTANCE : 20mΩ.

NOTE

WILL NOT SUPPORT CHANNEL SHORTER THAN 15M.
ONLY ACCEPT RJ-45 8P8C PLUG.

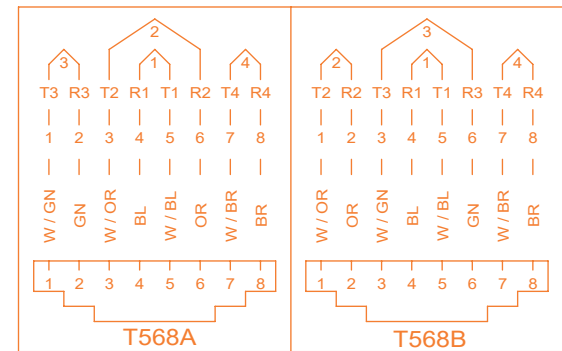
REAR VIEW



Cat 6A

56Y4
E145249

DETAIL A



NO.	PART NAME	SPECIFICATION DESCRIPTION	QT'Y	UNIT
③	INSTRUCTION	210x297MM	1	PC
②	I.D. PAPER	87x12.6MM	4	PCS
①	CABLE TIE	2.5*101MM	8	PCS

Unless specified on the drawing, tolerances are per the follows:
.x +1
.xx +0.2
.xxx +0.05

DRAWN BY Mark	DATE: 03/24/2022	DESCRIPTION: Cat.6A 110 Type UTP 24Port Patch Panel Rackmount UL Listed.
CHECKED BY	SHEET 1 of 4	ITEM NO.
APPROVED BY	SCALE 1:3	REV. 01 UNIT:mm