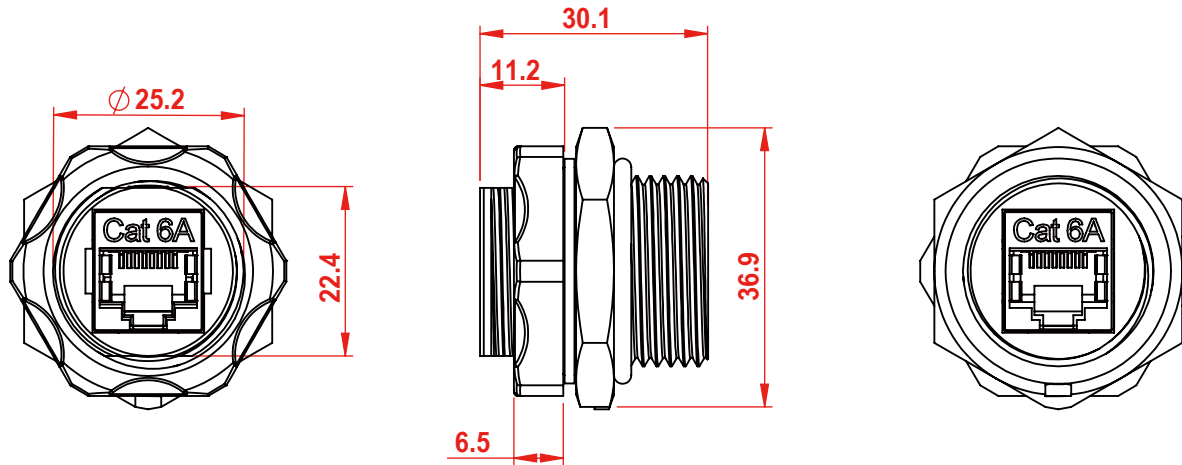


NOTE: ALL MATERIAL COMPLIANT ROHS STANDARD

REVISION INFORMATION			
Rev.	Rev. Date	Modified By	Brief Description
V0	03/21/2022	Justin	Initial issue



**MATERIAL**

MAIN BODY : PBT+GF,UL94V-0.  
 SHIELDED CASE : BRASS,NICKEL PLATED.  
 COUPLER HOUSING : ABS,UL94V-0.  
 JACK CONTACTS : PHOSPHOR BRONZE,50U" GOLD PLATED.

**PHYSICAL CHARACTERISTICS**

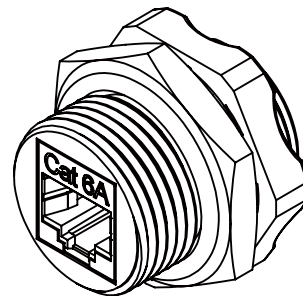
INSERTION LIFE : 750 MATING CYCLES WITH FCC COMPLIANT 8P PLUG.  
 PLUG RETENTION FORCE : 11 LBF MIN.  
 OPERATING TEMPERATURE RANGE : -10°C TO 60°C.  
 STORAGE TEMPERATURE RANGE : -40°C TO 68°C.  
 HUMIDITY : 10% TO 90% RH (NON-CONDENSING).

**ELECTRICAL**

INSULATION RESISTANCE : 500 MΩ MINIMUM.  
 DC CURRENT RATING : 1.5 Amps.  
 INPUT TO OUTPUT D.C. RESISTANCE : 200 mΩ MAXIMUM.  
 CONTACT RESISTANCE : 20 mΩ MAXIMUM.  
 VOLTAGE PROOF (CONTACT TO CONTACT) : 1000 V D.C. OR A.C. PEAK.

**NOTE**

ONLY ACCEPT RJ-45 8P8C PLUG.



**IP68**  
 ACCORDING TO IEC 60529  
 Degrees of Protection Provided by Enclosures  
 6: Dust-tight  
 8: Protected from immersion in water for 60 minutes at a depth of 1.5 meter.




**Cat 6A**  
 56Y4  
 E145249



ACCORDING TO : ANSI/TIA-568.2-D  
 ISO/IEC 11801-1  
 IEC 60603-7  
 IEEE 802.3bt Power over Ethernet Plus Plus(4PPoE) application  
 IEC 60512-99-002 Mating and un-mating connectors under electrical load

NO.	PART NAME	SPECIFICATION DESCRIPTION	QT'Y	UNIT
③				
②				
①				

Unless specified on the drawing, tolerances are per the follows:  
 . +1  
 .x +0.2  
 .xx +0.05



**EAGLE**  
 ELECTRONICS  
 EagleE.com - Quality You Can Trust...

DRAWN BY <b>Justin</b>	DATE: 03/21/2022	DESCRIPTION: Cat.6A RJ45 Shielded Industrial Panelmount Bulkhead Coupler
CHECKED BY	SHEET 1 of 4	ITEM NO.
APPROVED BY	SCALE 1 : 1	REV. 00
	UNIT:mm	