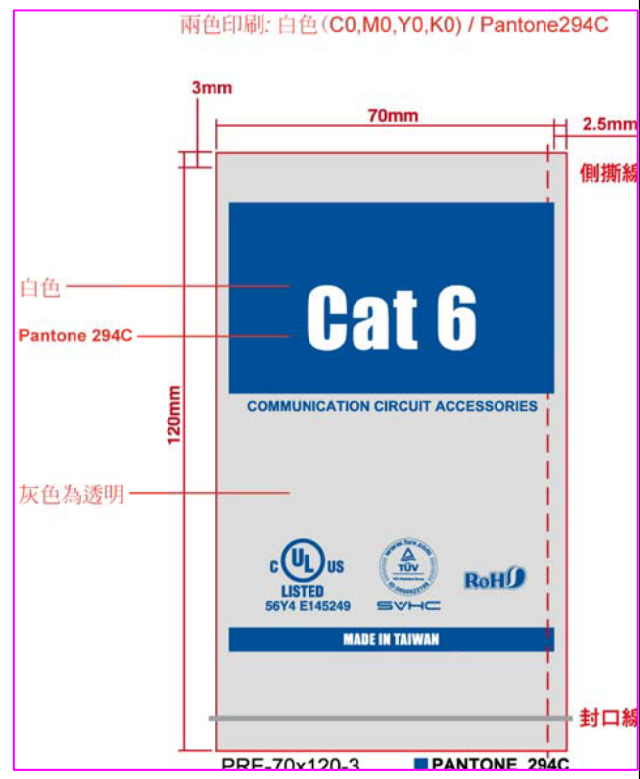
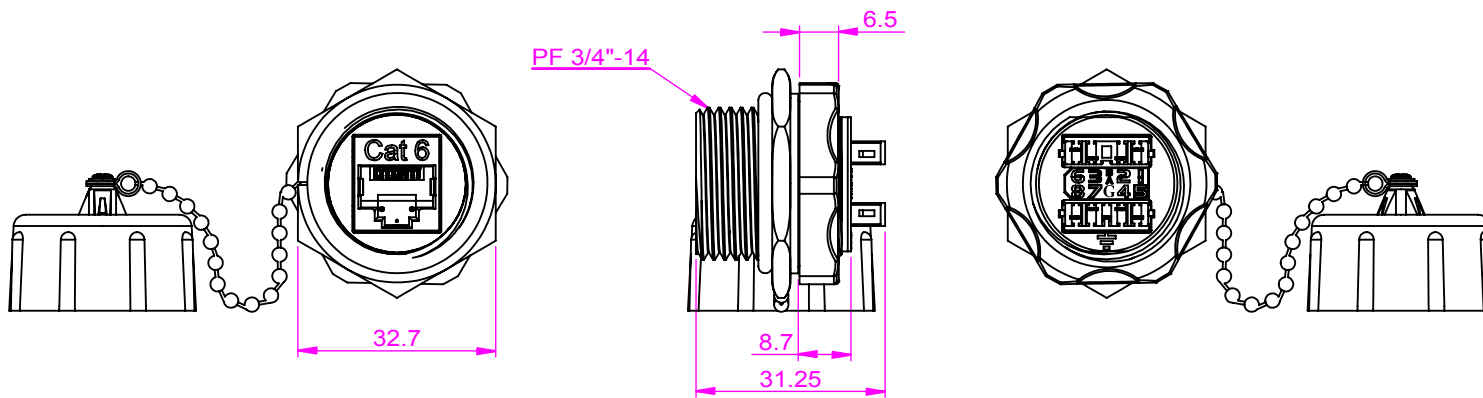


NOTE: ALL MATERIAL COMPLIANT ROHS STANDARD

REVISION INFORMATION			
Rev.	Rev. Date	Modified By	Brief Description



MATERIAL

MAIN BODY & DUST CAP :PBT+GF,UL94V-0.
 SHIELDED CASE : BRASS,NICKEL PLATED.
 JACK HOUSING : PC,UL94V-0.
 CONTACT HOLDER : PC,UL94V-0.
 JACK CONTACTS : PHOSPHOR BRONZE,50U\"/>

PHYSICAL CHARACTERISTICS

SUITABLE IMPACT TOOL : 110 STYLE PUNCH DOWN TOOL.
 INSERTION LIFE : 750 MATING CYCLES WITH FCC COMPLIANT 8P PLUG.
 CONTACT FORCE : 100 GRAMS WITH FCC COMPLIANT 8P PLUG.
 PLUG RETENTION FORCE : 11 LBF MIN.
 DURABILITY : 200 TERMINATION CYCLES.
 CONTACT COMPATIBILITY : ACCOMMODATES 22 TO 24 AWG SOLID.
 OPERATING TEMPERATURE RANGE : -10°C TO 60°C.
 STORAGE TEMPERATURE RANGE : -40°C TO 68°C.
 HUMIDITY : 10%-90%RH.

ELECTRICAL

INSULATION RESISTANCE : 500 MΩ.
 DIELECTRIC WITHSTANDING VOLTAGE : 1000 V AC.
 DC CURRENT RATING : 1.5 Amps.
 DC RESISTANCE : 0.1Ω.
 CONTACT RESISTANCE : 20mΩ.

NOTE

- WILL NOT SUPPORT CHANNEL SHORTER THAN 15M.
- ONLY ACCEPT RJ-45 8P8C PLUG.

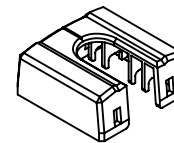
ACCORDING TO: ANSI/TIA-568-C.2
 ISO/IEC 11801 2nd Edition
 IEC 60603-7

IP67

ACCORDING TO IEC 60529:2001-02
 Degrees of Protection Provided by Enclosures
 6: Dust-tight
 7: Protected from immersion in water for 30 minutes at a depth of 1 meter.

ENCLOSURE

IDC CAP X 1 PC

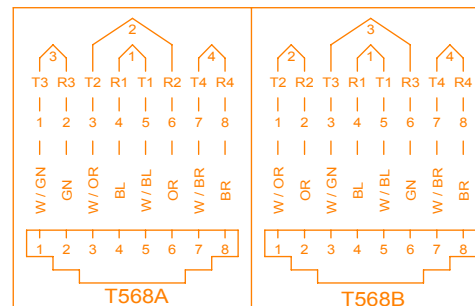


Cat 6

56Y4
 E145249



RoHS



NO.	PART NAME	SPECIFICATION DESCRIPTION	QTY	UNIT
③				
②				
①				

DRAWN BY WJH	DATE: 2015/09/21	DESCRIPTION: Cat.6 RJ45 Shielded Industrial Panelmount Jack with Dust Cap
CHECKED BY	SHEET 1 of 1	ITEM NO.
APPROVED BY	SCALE 2:3	REV. 00
	UNIT: mm	