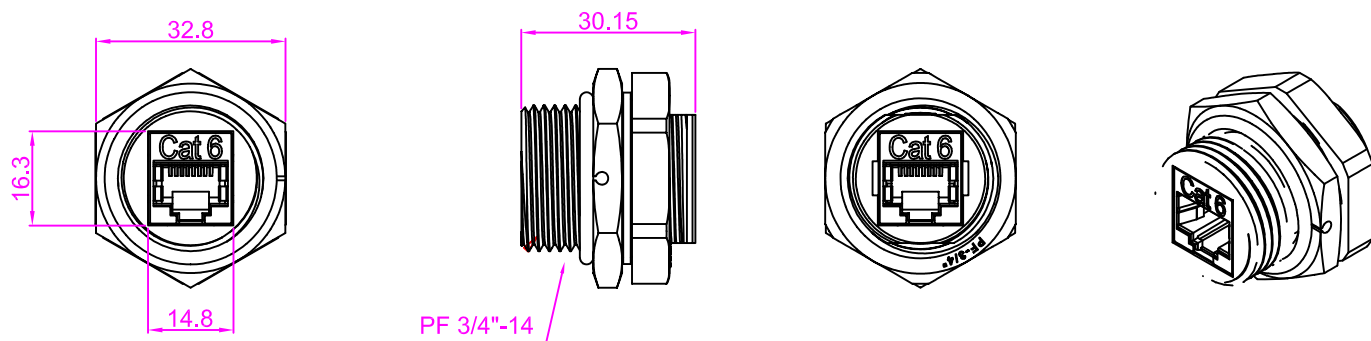


NOTE: ALL MATERIAL COMPLIANT ROHS STANDARD

REVISION INFORMATION			
Rev.	Rev. Date	Modified By	Brief Description



MATERIAL

MAIN BODY : PBT HIGH-IMPACT UL94V-0 THERMOPLASTIC, 30% GLASS FIBER FILLED.
 SHIELDED CASE : COPPER C2680, T=0.25MM, 30u" NICKEL PLATED.
 COUPLER HOUSING : ABS HIGH-IMPACT UL94V-0 THERMOPLASTIC.
 SPRING WIRE : PHOSPHOR BRONZE 5100W TEMPER WIRE, Φ=0.45MM,
 50U" GOLD OVER 100U" NICKEL UNDERCOAT.

PHYSICAL CHARACTERISTICS

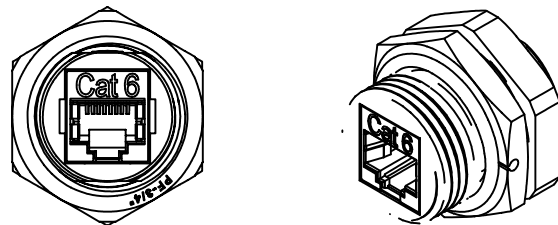
INSERTION LIFE : 750 MATING CYCLES WITH FCC COMPLIANT 8P PLUG.
 CONTACT FORCE : 100 GRAMS WITH FCC COMPLIANT 8P PLUG.
 PLUG RETENTION FORCE : 11 LBF MIN.
 OPERATING TEMPERATURE RANGE : -10 C TO 60 C.
 STORAGE TEMPERATURE RANGE : -40 C TO 68 C.
 HUMIDITY : 10%~90%RH.

ELECTRICAL

INSULATION RESISTANCE : 500 MΩ.
 DIELECTRIC WITHSTANDING VOLTAGE : 1000 V.
 DC CURRENT RATING : 1.5 Amps.
 DC RESISTANCE : 0.1Ω.
 CONTACT RESISTANCE : 20mΩ.

NOTE

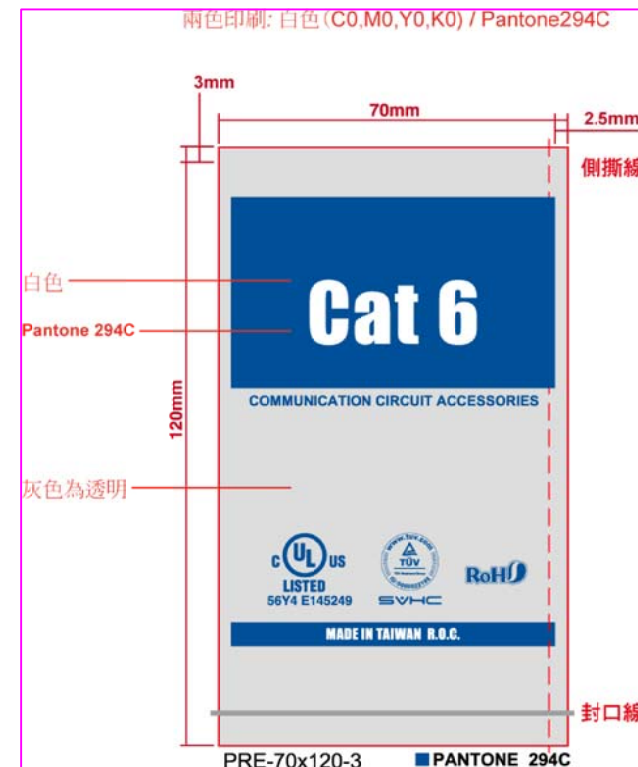
* ONLY ACCEPT RJ-45 8P8C PLUG.



IP67

ACCORDING TO IEC 60529:2001-02
 Degrees of Protection Provided by Enclosures
 6: Dust-tight

7: Protected from immersion in water for 30 minutes at a depth of 1 meter.



Cat 6

56Y4
E145249



NO.	PART NAME	SPECIFICATION DESCRIPTION	QTY	UNIT
③				
②				
①				

DRAWN BY	WJH	DATE:	2014/11/25
CHECKED BY		SHEET	1 of 1
APPROVED BY		SCALE	1:2
DESCRIPTION:		ITEM NO.	
Cat.6 STP industrial bulkhead coupler		REV.	00
UNIT:		mm	