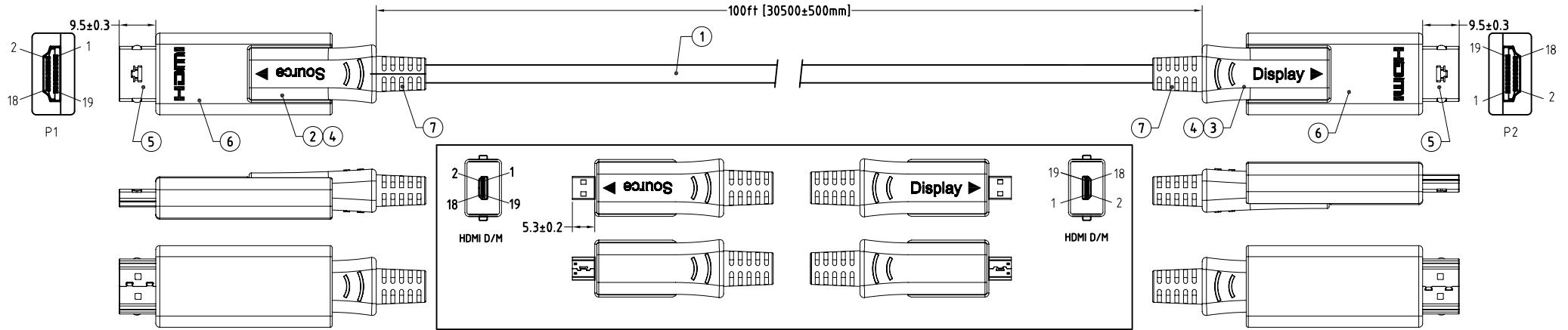


NOTE:ALL MATERIAL COMPLIANT ROHS STANDARD

REVISION INFORMATION

Rev.	Rev. Date	Modified By	Brief Description
1.0	2018/05/03	NDQ	Add labels on packaging



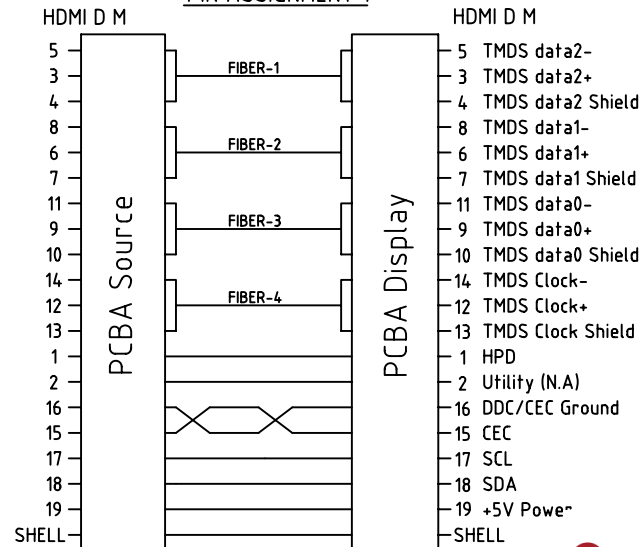
Function Test: By Player and TV test pass

- 1)Supports 4K×2K/60Hz,4:4:4
- 2)Supports HDCP2.2
- 3)Supports ARC,HEAC
- 4)Supports 3D

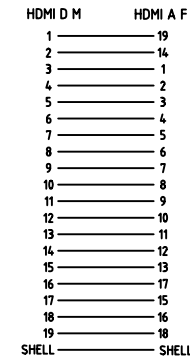
NOTES:

- 1)18.0Gbps bandwidth

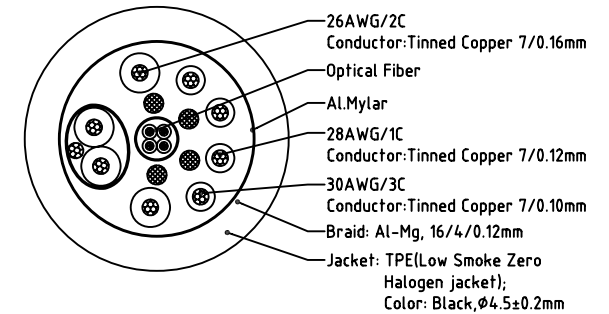
PIN ASSIGNMENT 1



PIN ASSIGNMENT 2



Wire Details



NO.	PART NAME	SPECIFICATION DESCRIPTION	QTY	UNIT
①	Cable	Optical fiber+(30AWG*1P+D+A)+26AWG*2C+28AWG*1C+30AWG*3C+F+A+PVC,OD4.5mm,Black, (TPE)		
②	Conn+PCBA	HDMI D/M,PIN Gold Plated,Shell/Copper Gold Plated,with PCBA(Source)		
③	Conn+PCBA	HDMI D/M,PIN Gold Plated,Shell/Copper Gold Plated,with PCBA(Display)		
④	Cover	HDMI AOC Cover,Zinc alloy,Black		
⑤	Conn	HDMI A/M TO D/F,PIN Gold Plated,Shell/Steel Gold Plated, locking connector		
⑥	Cover	HDMI AOC Cover,Zinc alloy,Black		
⑦	Overmold	PVC+PE,Black		

Unless specified on the drawing, tolerances are per the follows:

.	+1
.x	+0.2
.xx	+0.05

DRAWN BY	DATE: 2018/05/03	DESCRIPTION: HDMI Active optical cable,locking connector
CHECKED BY	SHEET 1of2	ITEM NO.
APPROVED BY	SCALE None	REV. 1.0

