

ASSEMBLY INSTRUCTIONS

FOR ADJUSTABLE FLAT PANEL CEILING MOUNT

This product is designed to mount LCD TV weighing up to 30kg to ceiling.

Safety Warning: Be careful to make sure there are no missing or defective parts. Never use defective parts. Improper installation may cause damage or serious injury.

Note: The included hardware is for mounting on solid brick, concrete or hard wood batten ceiling. If mounting on wood, do not use any concrete anchor. If you are uncertain about the nature of your ceiling, consult an expert. Please consult your hardware or installation professional for proper mounting to other types or ceiling. The supplied hardware is not for steel.

Forbidden Instruction: Do not mount onto plasterboard or paneled ceiling.

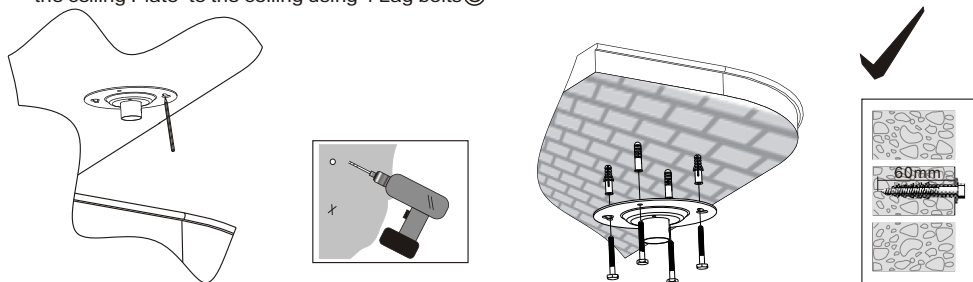
A		X4	B		X4	C		X4	D		X4	E		X1	F		X1
G		X1	H		X2	I		X1	J		X2	K		X2	L		X2
M		X1	N		X1	O		X1	SUPPLIED PARTS: Supplied joint parts are exclusive for using in this product. Other joint parts are forbidden to use on this product. If any parts are missing or faulty, telephone the special franchiser for a placement.								

1 FIX TO WALL

Note: This product should be mounted to solid brick, concrete or hard wood batten Ceiling.

(a) SOLID BRICK AND CONCRETE BLOCK MOUNTING:

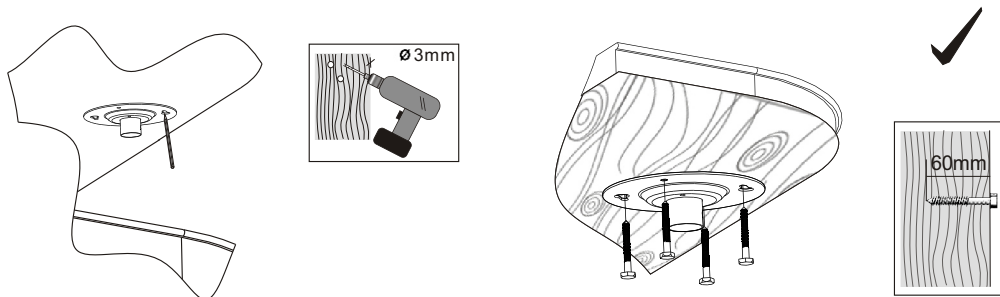
Use the ceiling Plate as a template to mark 4 holes locations on the ceiling. Pre-Drill these holes with a 8mm masonry bit to at least 60mm in depth. Insert a Concrete Anchor **D** into each of these holes, Attach the ceiling Plate to the ceiling using 4 Lag bolts **C**



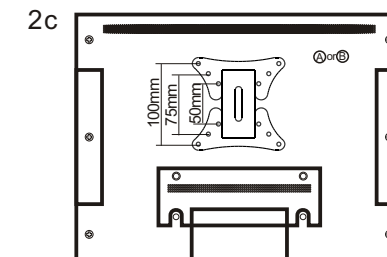
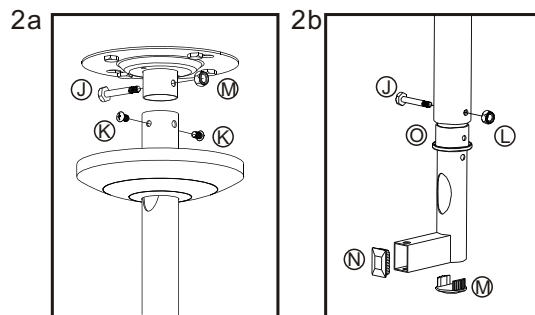
(b) HARD WOOD Ceiling MOUNTING:

Use the Ceiling Plate as a template to mark 4 holes locations on the ceiling. Attach the Ceiling Plate to the ceiling using for the 4 Lag Bolts **F**

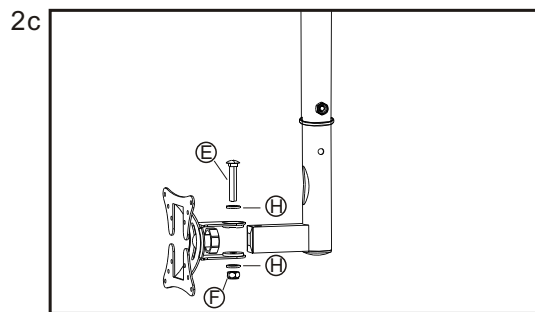
Note: Do not use any concrete anchor when you mount the bracket onto hard wood ceiling.



2 FIT SCREEN



BACK VIEW OF LCD TV

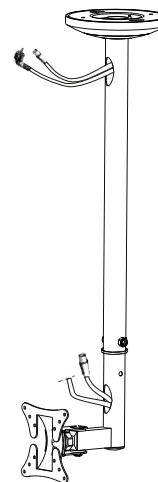


Attach the LCD mount to the bracket using the four **A** or **B** screws provided.

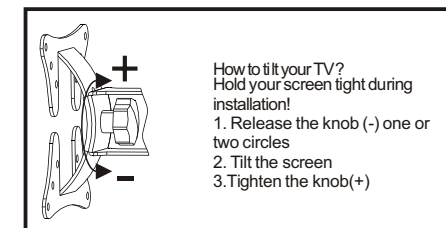
NOTE!

The standard fixing plate suits VESA 50mm, 75mm and 100mm fixing centres.

3 HIDE CABLES



4 ADJUST



How to tilt your TV?
Hold your screen tight during installation!
1. Release the knob (-) one or two circles
2. Tilt the screen
3. Tighten the knob(+)

CAUTION: Do not exceed 30 kg weight limit

TENDING INSTRUCTION

Please check whether screws are fixed well each two months.

IF YOU HAVE ANY DOUBTS REGARDING INSTALLATION CONSULT OUR SPECIAL FRANCHISER.