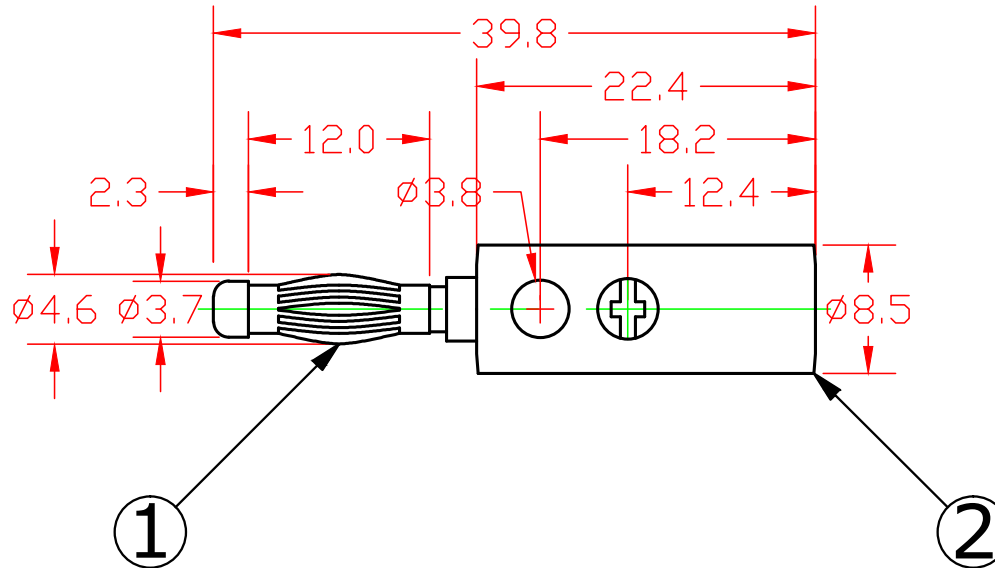


**RoHS
Compliant**

REVISION INFORMATION			
Rev.	Rev. Date	Modified By	Brief Description



ELECTRICAL TESTING

1. CONDUCTOR RESISTANCE: : ≤5Ω 300V DC



DRAWN BY	DATE: 2014/04/23	DESCRIPTION: Banana Plug Gold Plated Plastic
CHECKED BY	SHEET 1 of 1	ITEM NO.
APPROVED BY	SCALE 1:1	REV. 00
UNIT: mm		

NO.	PART NAME	SPECIFICATION DESCRIPTION	Q'TY	UNIT
②	Shell	Plastic-Black for 201201BK, Red for 201201RD	1	PC
①	Banana Plug	Banana Plug-Gold Plated	1	PC