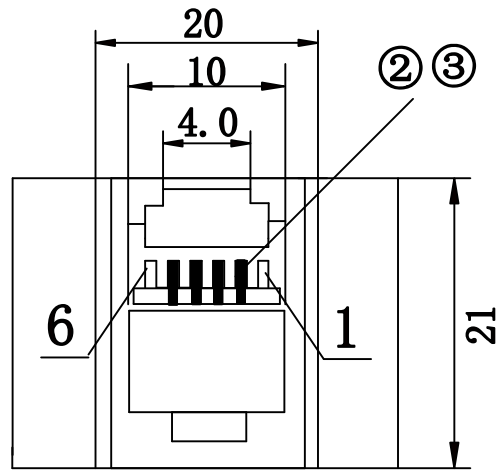
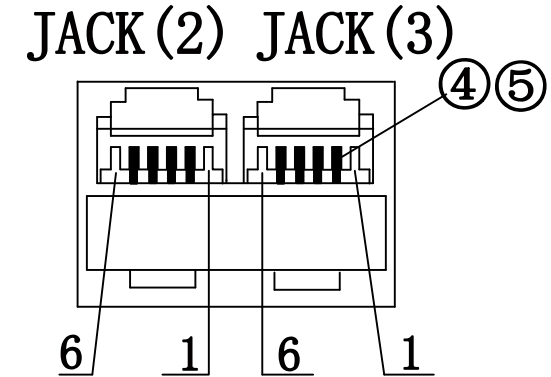
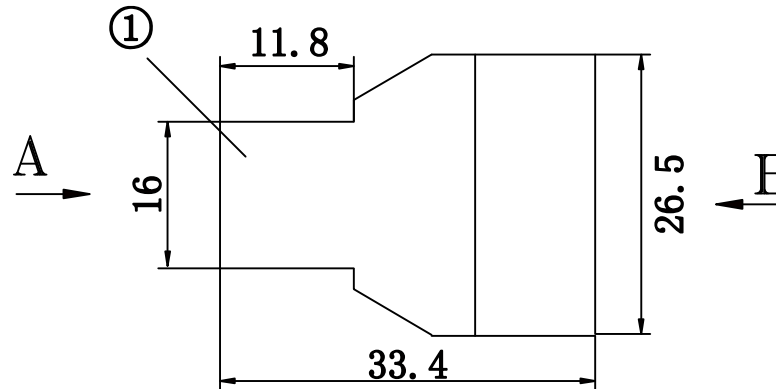


NOTE: ALL MATERIAL COMPLIANT ROHS STANDARD

REVISION INFORMATION			
Rev.	Rev. Date	Modified By	Brief Description
A/0	14-5-03	Y0503A	NEW DRAWING
A/1	21-03-17	B21031702	Remove China from the plastic case



JACK (1)  
VIEW: A




VIEW: B

TERMINATION:

CORLOR	JACK (1)	JACK (2)	JACK (3)
BLACK	2	2	2
RED	3	3	3
GREEN	4	4	4
YELLOW	5	5	5

PART NO	DRAWING NO	CABLE LENGTH L	BUYER COLOR	VENDOR COLOR	CUT LENGTH
170502IV	217-098-A	50±5		IV-S020	

NO.	PART NAME	SPECIFICATION DESCRIPTION	QTY	UNIT
⑦				
⑥				
⑤	WIRE	UL1061 PVC 26AWG L=50MM BK, RED, GREEN, YELLOW, 4X4各1PCS, BK, RED, GREEN, YELLOW, 4X5T各1PCS	8	PCS
④	2121 TERMINAL	COPPER PLATING	12	PCS
③	GOLD WIRE	FU" L=13MM 6PCS L=15MM 6PCS	12	PCS
②	BRACKET	ABS NOUL 6P IV-S020	3	PCS
①	LT-303	6P4C ABS NOUL IV-S020	1	SET



<b>DRAWN BY:</b>	<b>DATE:</b> 2021-03-17	<b>DESCRIPTION:</b> LT-303 6P4C IV-S020
<b>CHECKED BY</b>	SHEET 1 of 3	ITEM NO.170502IV
<b>APPROVED BY</b>	SCALE 1:1	REV. A/1 UNIT: mm