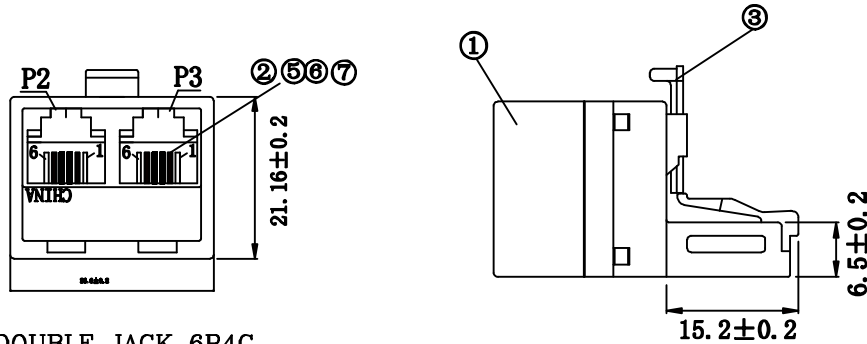


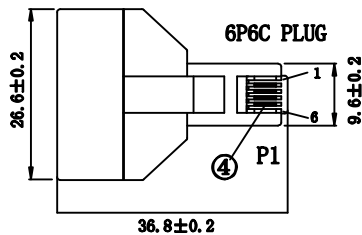
NOTE: ALL MATERIAL COMPLIANT ROHS STANDARD

REVISION INFORMATION			
Rev.	Rev. Date	Modified By	Brief Description
A/0	13-07-18	Y0718E	NEW DRAWING
A/1	13-11-21	B1121A	



DOUBLE JACK 6P4C

Note: Top housing with Convex "China"




TERMINATION:

P1	P2	P3	COLOR
2	2	2	BLACK
3	3	3	RED
4	4	4	GREEN
5	5	5	YELLOW

PART NO	DRAWING NO	CABLE LENGTH L	BUYER COLOR	VENDOR COLOR	CUT LENGTH
170501	217-021-A			IV-S020	

NO.	PART NAME	SPECIFICATION DESCRIPTION	QTY	UNIT
⑦	2121 terminal	Copper plating	12	PCS
⑥	Wire	UL 1061 PVC 26AWG 4X4 L=110MM Black Red Green Yellow	4	PCS
⑤	Gold wire	FU" L=13MM 4PCS L=15MM 4PCS	8	PCS
④	Gold blade	FU"	4	PCS
③	Latch	ABS NOUL IV-S020	1	PCS
②	Bracket	ABS NOUL 6P IV-S020	2	PCS
①	LT-267Top/bottom housing	6P4C ABS NOUL IV-S020 Convex "China"	1	SET



**EAGLE**  
ELECTRONICS  
EagleG.com - Quality You Can Trust...

<b>DRAWN BY:</b>	<b>DATE:</b> 2013/11/21	<b>DESCRIPTION:</b> LT-267 6P4C IV-S020
<b>CHECKED BY</b>	<b>SHEET 1 of 1</b>	<b>ITEM NO.170501</b>
<b>APPROVED BY</b>	<b>SCALE 1:1</b>	<b>REV. A/1</b> <b>UNIT: mm</b> 