

NOTE: ALL MATERIAL COMPLIANT ROHS STANDARD

REV	DATE	MODIFICATION	DRAWN

SPECIFICATIONS

1.ELECTRICAL:

UL APPLICATIONS: 250 VOLTS AC MAX., AT 2 AMPS.

DIELECTRIC WITHSTANDING VOLTAGE : 500 VOLTS AC.

INSULATION RESISTANCE: 100 M Ω.

TERMINATION: RESISTANCE 20m Ω MAX AFTER

ENVIRONMENTAL TESTING.

2.MECHANICAL:

CABLE-TO-PLUG TENSILE STRENGTH : 20POUND MIN.

DURABILITY : 200 MATING CYCLES.

3.MATERIAL & FINISH:

HOUSING: POLYCARBONATE, UL94V-0 OR UL94V-2.

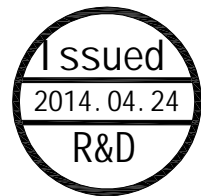
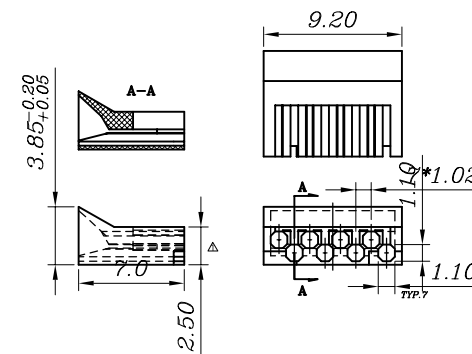
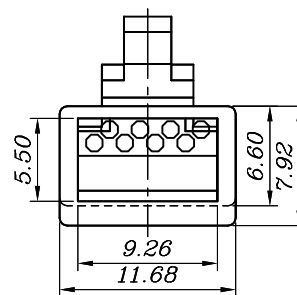
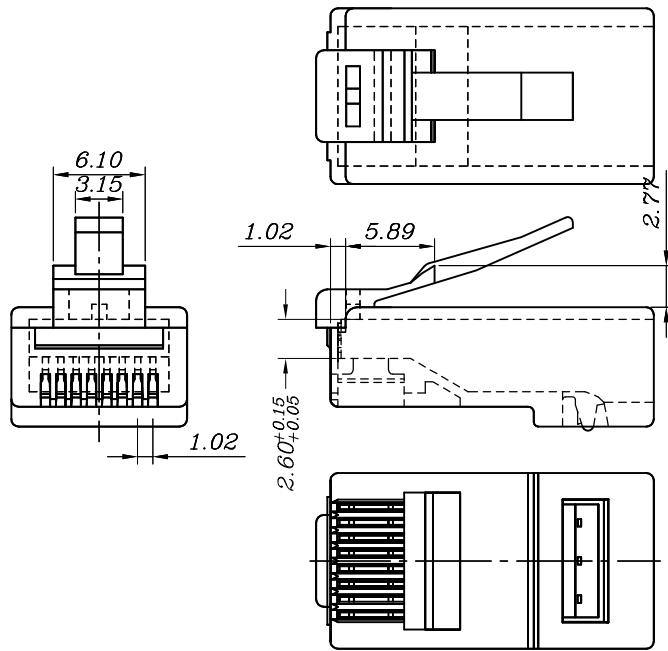
COLOR : TRANSPARENT OR OTHER COLOR ARE AVAILABLE.

CONTACT BLADE: COPPER ALLOY.

CONDUCTOR : SOLID WIRE , 23AWG, 24 AWG.

(It can be used for the wire OD fromØ 0.96-Ø1.02)

GOLD PLATING: 3u"-50u", ARE AVAILABLE.



BLADE:	E	Y	Z	A	AL	ZL	AB		
Drawing									
Mark			✓			✓			
GOLD PLATING	3Mu"	3u"	6u"	15u"	30u"	50u"	CABLE TYPE	ROUND	FLAT
Mark						✓	Mark	✓	



DRAWN BY	DATE:	DESCRIPTION: P88RH5Z50V2IT-RJ45 Cat.6 Plug		
	2014/04/24	Stranded and Solid 50 Micron 3 Prong w/Inserter		
CHECKED BY	SHEET 1 of 1	ITEM NO.		
APPROVED BY	SCALE 1:1	REV. 00	UNIT: mm	

ST-DR-009A