



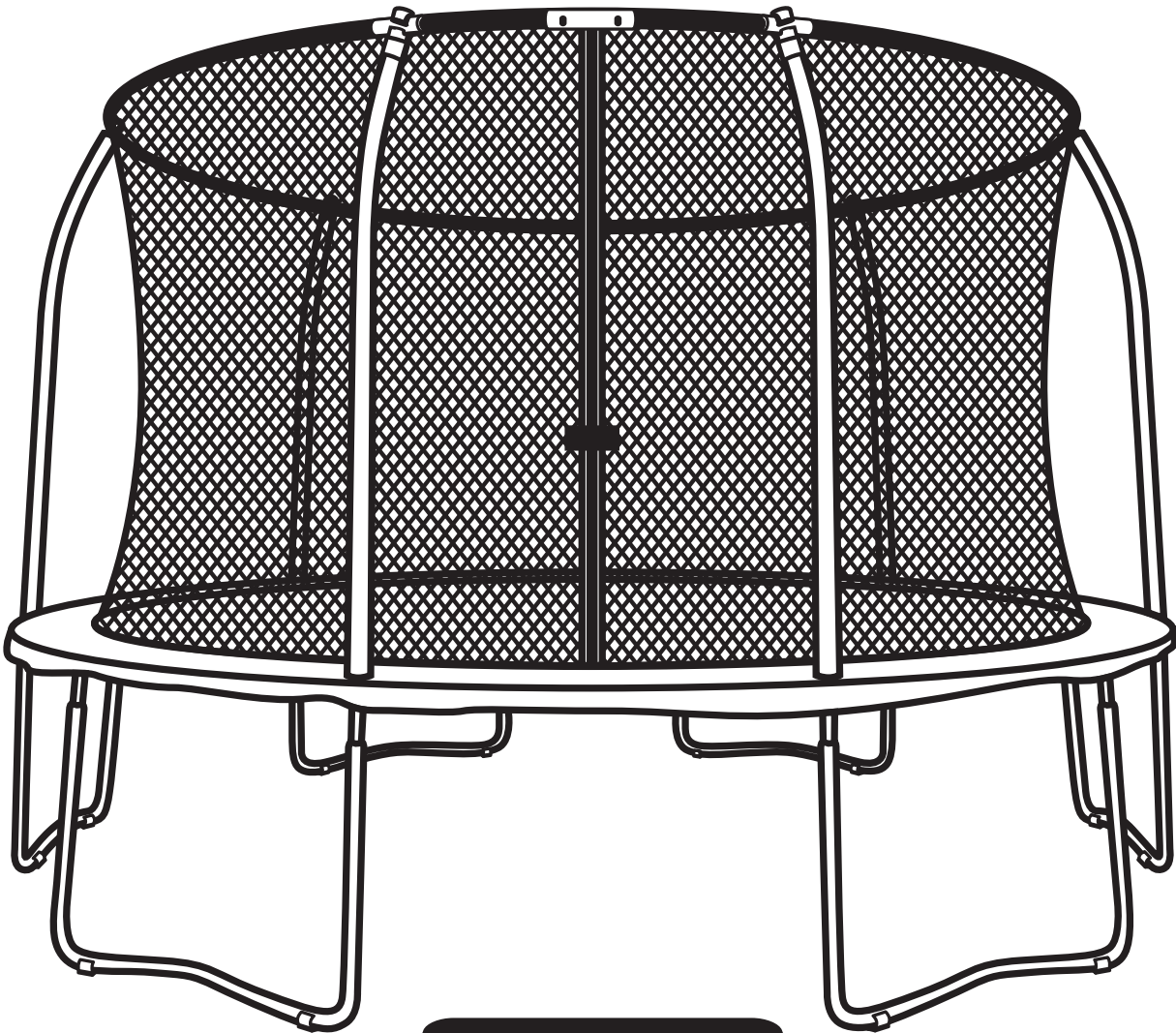
Easy Assemble/Disassemble

Trampoline User Manual

Assembly, Installation, Care, Maintenance and Use Instructions.

WARNING:

Read these materials prior to assembling and using this trampoline.



Models

UBSF02-8

UBSF02-11

UBSF02-13

UBSF02-15

UB03EC-11E

Manual Version #06

Upper Bounce® Inc. 2 Mill St. Cornwall NY 12518, 1-888-965-3331, www.upperbounce.com



USA

UK



Call us

1-888-965-3331

020-3150-0484



Email us

support@upperbounce.com

support@upperbounce.co.uk



Check out our website

www.upperbounce.com

THANK YOU FOR PURCHASING THE UPPER BOUNCE® TRAMPOLINE PART

Simply follow the assembly and safety instructions in this manual and you will soon be starting your **UPPER BOUNCE®** exercise program for a happier, healthier and more fun lifestyle!

Should you have any questions, please call our Customer Service Department
Toll-free number: **1-888-965-3331**

MONDAY - THURSDAY 9:30 A.M. - 5:00 P.M. Eastern Time.	FRIDAY 9:00 A.M. - 12:00 P.M. Eastern Time.
--	--

TABLE OF CONTENTS

	Page
Instructions, Proper Assembly & Use, Safety Tips, Warnings	3-6
Trampoline Frame Parts List	7
Overall Parts with Item Code	8
Trampoline Frame Assembly	9-10
Trampoline Mat Assembly	11
Trampoline Pad Assembly	12
Enclosure Set Parts List	13
Enclosure Set Assembly	14-15
Enclosure Set Disassembly	16
Testing the Trampoline	17
Fundamental Bounce Techniques	18
Replacement Parts List	19

GENERAL INSTRUCTIONS

Included in this manual are instructions for: Proper assembly, care and maintenance of product, safety tips, warnings, and proper use; in order to ensure a secure and fun use of the trampoline. All users and supervisors must read and familiarize themselves with all these instructions and all other information in this manual.

As with any type of recreational physical activity, without being careful participants can be injured. Anybody who chooses to use this trampoline must be aware of their own limitations in regards to performing various jumps and bounces with this trampoline. Trampolines are rebounding devices which propel the performer to unaccustomed heights through a variety of movements, so initially; you should get accustomed to the feel and bounce of the trampoline. The focus must be on your body position, and you should practice each fundamental bounce until you can do each bounce with skill before moving on to more difficult and advanced bounces. Do not behave recklessly on the trampoline, emphasis must be made on good control and the mastering of various bounce techniques.

Proper Assembly

- The assembly of the product must be done carefully by at least two able-bodied adults. Contact us, or ask any technically qualified person if you have any difficulties.
- Beware that when using tools or doing technical work, there is always a risk of injury, so assemble the product carefully, and use gloves to protect your hands.
- Remove all packaging materials and lay down all parts on a free space. This gives you an overview and simplifies the assembly procedure. Check with the parts list that no parts are missing and dispose of the packaging material when the assembly is completed.
- Work in a danger free environment, do not leave tools or hazardous materials scattered around the workspace.
- Place trampoline on level and non-slippery ground, preferably on grass. Locating the trampoline on a hard surface will add stress to the frame and over time cause damage which is not covered by warranty. Placing the trampoline on uneven surfaces could result in the trampoline tipping over.
- A clearance space of at least 24ft is necessary above the trampoline. An appropriated clearance must be kept between the trampoline and possible sources of danger, such as electric cables, tree branches, playing devices, swimming pools and fences.
- After assembling the trampoline according to the instructions, please make sure that all screws, bolts and nuts are correctly installed and tightened, and that all joints are tightly sealed.
- For additional stability you can place sand bags on the trampoline legs. This will prevent the trampoline from tipping over in the event of any sideward force.

- Never set up the trampoline in rainy, windy or stormy conditions, especially lightening conditions. It is recommended that the trampoline be taken apart and stored in bad weather.
- Do not alter the product; use it only as described in this manual.

Care and Maintenance

- Always inspect the trampoline before each use. Check for damage, wear or defective parts, as they can impair the overall safety of the trampoline. The damaged, worn, or defective parts should be replaced immediately. In the meantime access to the trampoline must be restricted.
- Use the trampoline only in a well-lit area.
- Do not place any objects under the trampoline.
- Repairs should only be carried out by qualified technicians, using only original spare parts. Improper repairs can compromise the safety of your trampoline.
- Strong winds can compromise the stability of the trampoline. If strong winds are predicted, the trampoline must be fastened to the ground with cords and moorings, moved to a protected place, or taken apart and stored.
- Try to avoid moving the assembled trampoline, it could bend during transportation. Should it be necessary to move the trampoline, please consider the following: At least four people, evenly spaced around the frame, are needed to lift the trampoline off the ground. The trampoline must be carried horizontally, and if the frame shifts position, use four people to draw the trampoline back into the correct shape.
- The trampoline can only be used if the jumping mat is clean and dry. Worn or damaged jumping mats should be replaced immediately.

Safety Guidelines

To reduce the risk of injury, please carefully read and follow the appropriate safety rules and tips, implementing all safety rules at all times.

- The product is intended for home/domestic use only and is not suitable for professional or medical uses.
- No more than one person at a time is allowed on the trampoline! Multiple jumpers increase the risk of mid-air collisions resulting in injury.



- Do not perform somersaults on the trampoline as this will increase the chances of landing on your head or neck, paralysis or even death can result.



- Children do not recognize the potential dangers of this product, so do not allow your children to play on this product without adult supervision.



- Trampolines over 51 cm (20") in height are not recommended for children under 6 years of age.

Warnings

- Secure the trampoline against unauthorized use.
- Do not use during pregnancy or if suffering from high blood pressure.
- Do not smoke on the trampoline or use the trampoline when under the influence of alcohol or drugs (incl. Medication).
- Protect the product against humidity and high temperatures.
- Do not put cigarettes, pets, sharp objects or any other foreign objects on the trampoline.



- Do not expose the trampoline to open flames.
- The metal frame of the trampoline will conduct electricity. Lighting, extension cords and all electrical equipment must never be allowed to come in to contact with the trampoline parts.
- The trampoline may not be used in the close vicinity of other leisure devices and constructions.
- Do not allow anyone or any object to go under the trampoline while someone is jumping on the mat. The jumping mat is flexible and the downward force created by someone jumping can cause serious injuries.



- Take care to keep the packaging materials beyond children's reach, as they present a choking hazard.





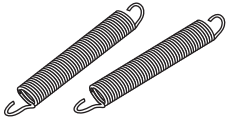

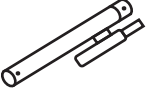


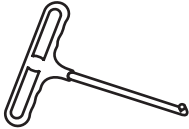


Proper Use

- The maximum weight allowed on the trampoline is 500 lbs. Overloading the trampoline above the recommended user weight will cause damage to the trampoline.
- No more than one person at a time should be allowed on the trampoline!
- Avoid unsupervised use of the trampoline.
- Do not use the trampoline if it is wet.
- Do not wear shoes while jumping; this will damage the jumping mat.
- Do not sit or lean on the cover pad as it needs to be flexible so it can move with the jumping mat.
- Objects that could be dangerous should be vacated from the playing area.
- Do not allow small children to pull themselves up onto the trampoline by using the cover pads, as this may damage the pads and compromise the safety of your trampoline.
- Do not wear clothes with hooks or loose parts when jumping on the trampoline, in order to avoid getting stuck in any trampoline parts.
- Carefully climb onto trampoline. Do not jump into it directly, or use it as a jump board for other activities. Jumping into the trampoline, hitting the frame, cover pads, and landing incorrectly on the trampoline; can lead to injury.

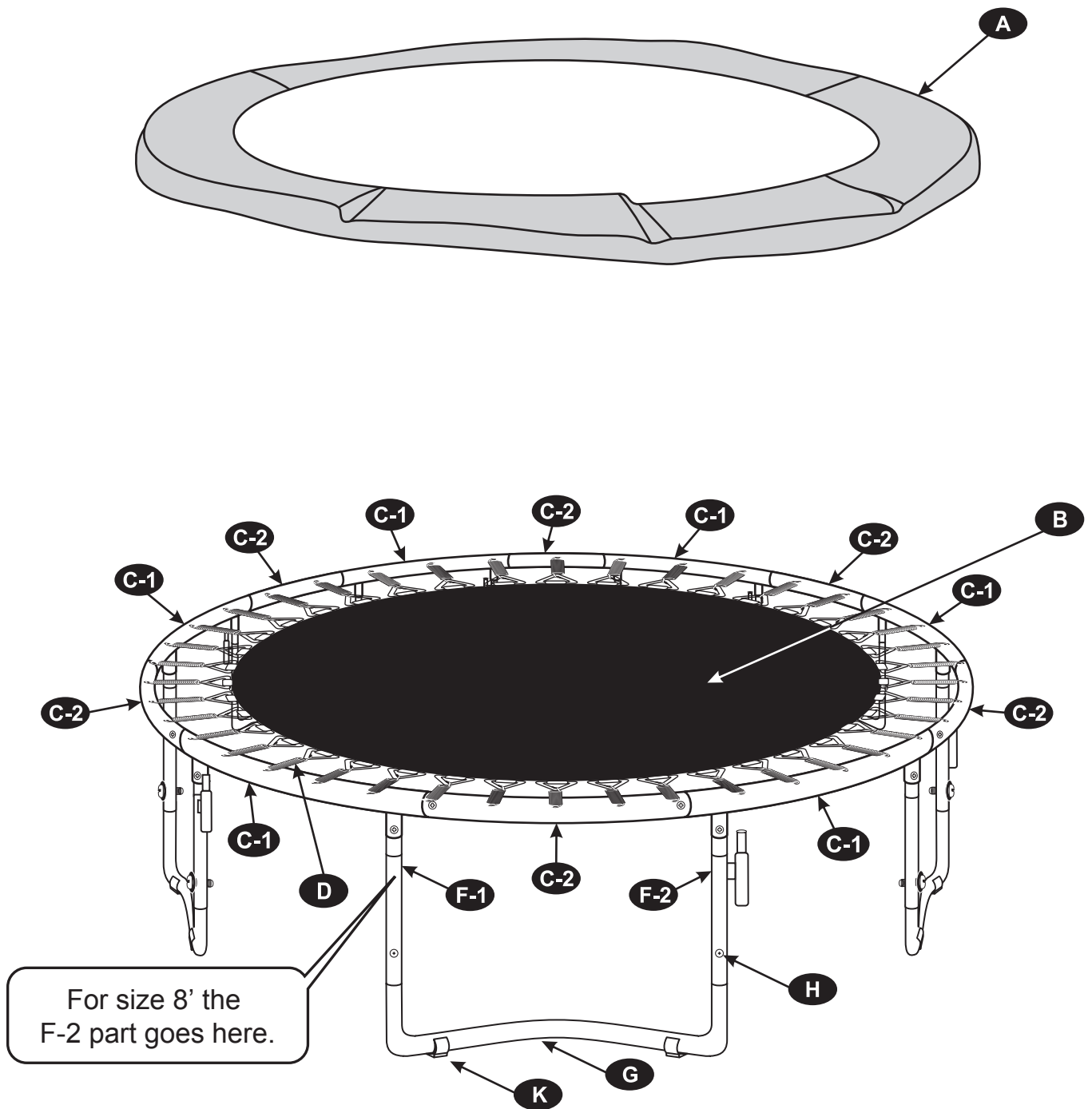
It is the responsibility of the owner or the supervisor to guarantee that all users of the trampoline are informed about all safety rules and that there is sufficient space around the trampoline to allow for safe play.

Learn the fundamental jumping techniques thoroughly before trying difficult jumps, see section: fundamental bounce techniques for further guidance.

TRAMPOLINE FRAME PARTS LIST

ITEM	PART IMAGE	MODEL	8 FT	11 FT	13 FT	15 FT
A		Frame Cover	1	1	1	1
B		Jumping Mat	1	1	1	1
C1		Top Rail	3	6	6	6
C2			3	6	6	6
D		Springs	48	72	84	96
F1		Leg Extensions	0	6	6	6
F2			6	6	6	6
G		W-shaped Leg	3	6	6	6
H		Screws	18	36	36	36
I		Spring Tool	1	1	1	1
J		Screw Driver	1	1	1	1
K		Leg Stabiizer	6	12	12	12

OVERALL PARTS WITH ITEM CODE



Note:

This diagram is only for your reference. All sizes have different quantities for specific parts. Please refer to parts list page for exact components per size.

TRAMPOLINE FRAME ASSEMBLY

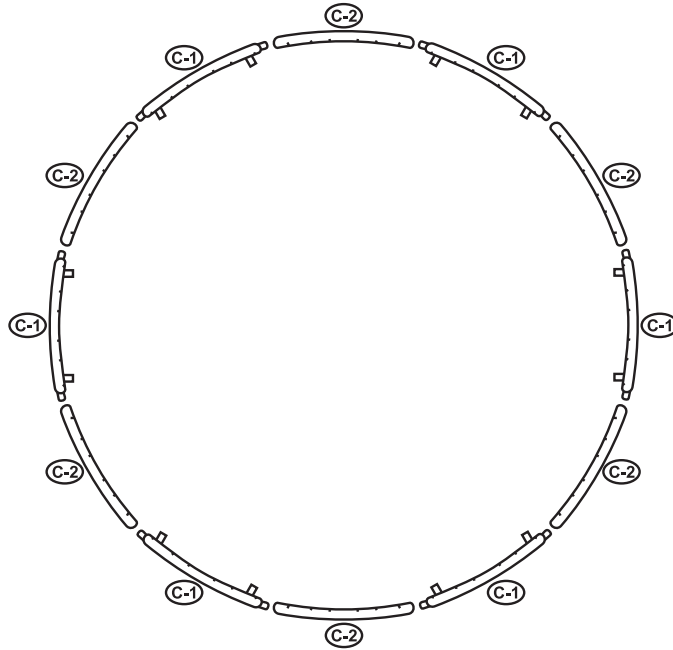
WARNING:

2 adults in good physical condition are required for the following assembly. Wear proper shoes and maintain balance to prevent a fall. Failure to follow all instructions and warning exactly may result in serious injury.

Step 1

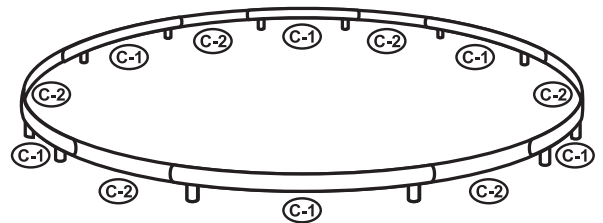
Frame layout

Lay out the trampoline parts on the ground so that you start to form a circle with the top rial sections. Make sure to keep all the tubes in the same direction all around the trampoline frame.



Step 2

Connect parts C-1 and C-2 together and continue to complete the circle, following the pattern: C-1 + C-2 + C-1 + C-2. Continue until you form a complete circle. Joining the last bar may require two or more adults in good physical condition. With a second person holding the opposite end, bring both sides of the circle together and secure them.



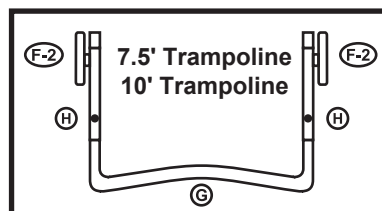
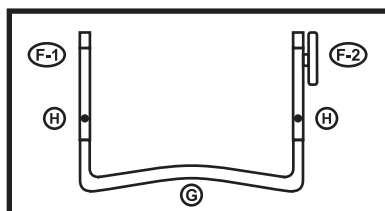
Note:

If your frame does not seem sturdy this should not worry you, as the trampoline mat will tighten it up.

Step 3

Construct the Legs

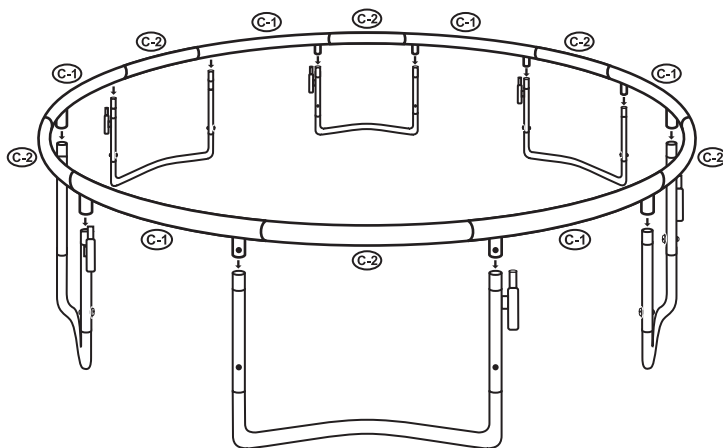
Attach the two leg extensions, part F-1 and F-2 to the leg base part G, and tightly secure together with screws (part H). Note: The 7.5' and 10' trampolines only have F-2 parts, so you attach the F-2 on both sides. Repeat this step for all legs.



Step 4

Attach the Legs.

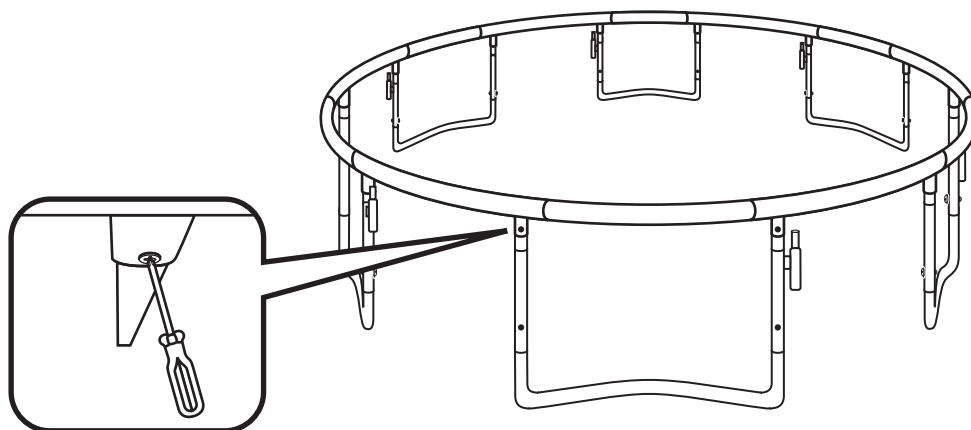
Attach the leg supports you assembled in step 3 to the top rails C-1. Each leg attaches to 2 different C-1 parts, straddling the C-2 part, as shown in the image. Repeat with all legs until you have the full frame standing.



Step 5

Secure the Legs

Secure the leg supports to the top rail frame with screws- part H, fastening tightly.

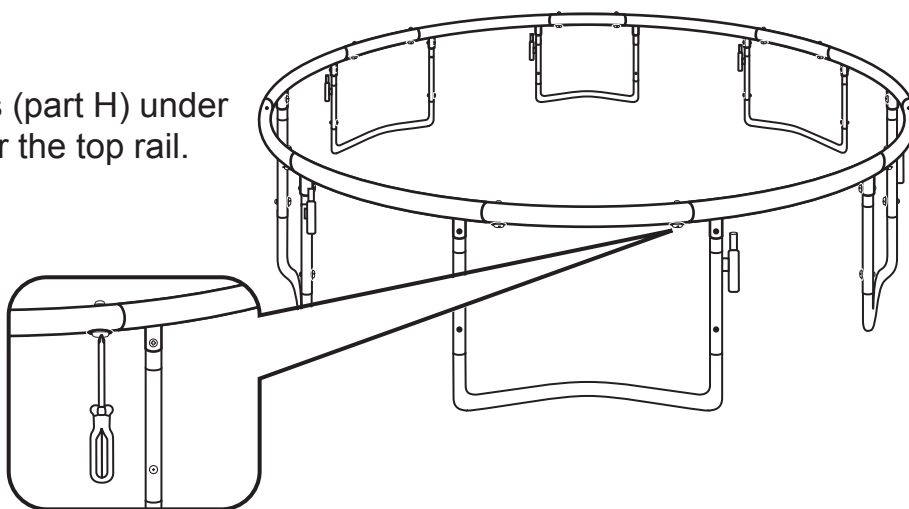


Step 6

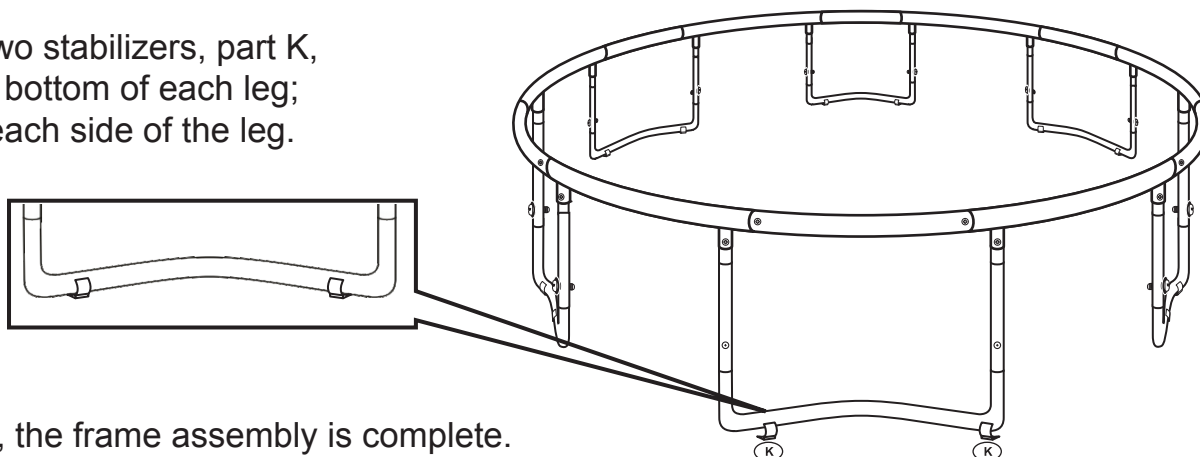
Secure the Frame

Secure the frame with screws (part H) under the C-2 parts, to hold together the top rail.

Note:
If you are unable to insert a screw because the holes are not aligned, wait until after installing the mat, the structure will realign then.



Add two stabilizers, part K, to the bottom of each leg; 1 on each side of the leg.



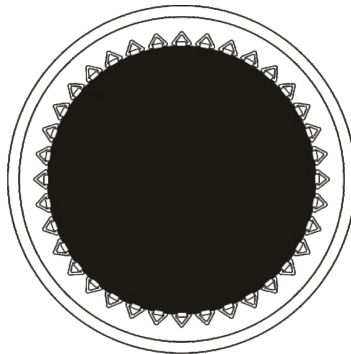
Now, the frame assembly is complete.

TRAMPOLINE MAT ASSEMBLY

WARNING:

Be careful where you place your hands during spring assembly as connector points can pinch!

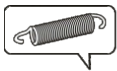
1. Lay out the trampoline mat inside the frame.



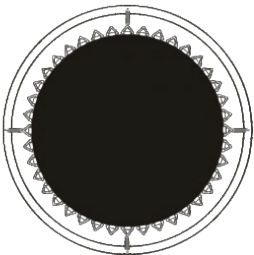
2. Connect 4 springs between the mat and the rail, at the 1/4 way points in the circle, as in the figure below. Attach the rest of the springs according to the steps outlined below.

Note:

Make sure the v-rings between the springs matches the number of holes in the frame between the springs.

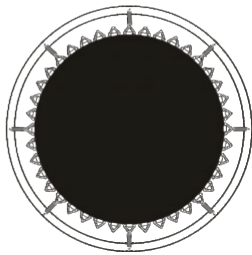


1



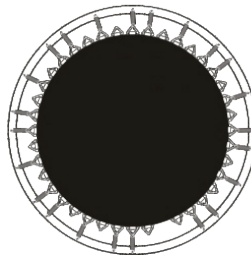
First connect the 4 springs at the 1/4 points.

2



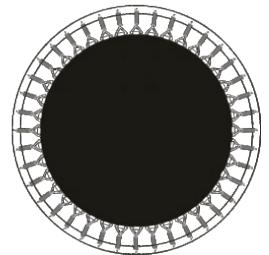
Follow by connecting 4 additional springs in the center of the quarters.

3



Then continue, connecting every few springs

4



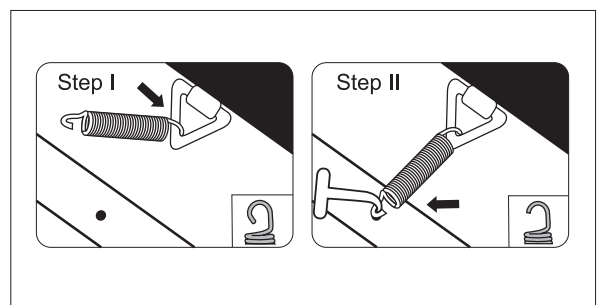
Complete the rest of the springs

How To Use The Spring Pulling Tool

Step I: Hook the more rounded end of the spring onto the trampoline mat's triangular rings.

Step II: Extend the spring pull tool and link it up with the other end of the spring. Pull the tool in the direction of the trampoline frame until the spring head is lined up with the hole in the trampoline frame.

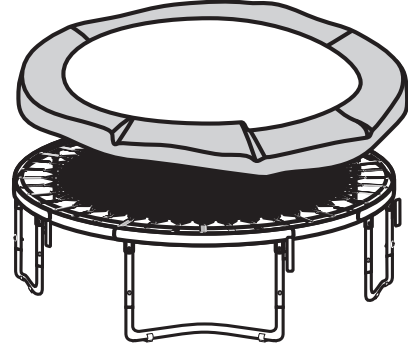
Step III: Slide the spring end into the hole as you remove the tool.



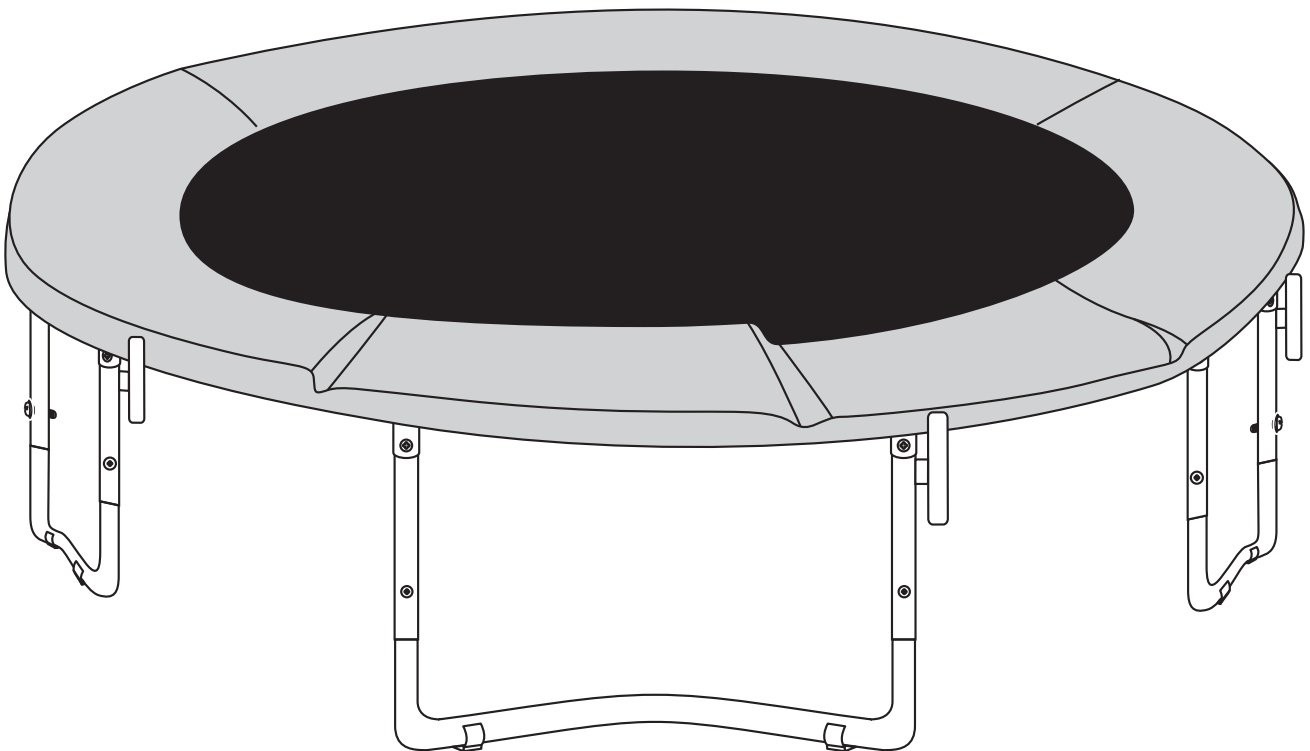
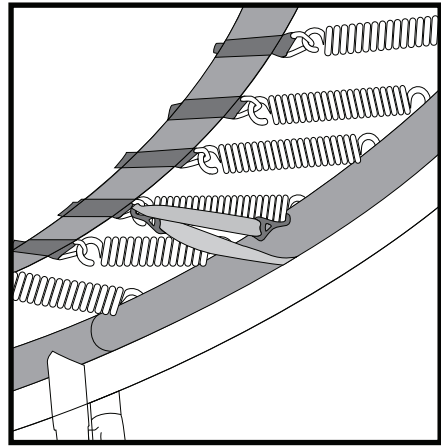
TRAMPOLINE COVER PAD ASSEMBLY

The trampoline is almost complete, with all the springs in place. Before using the trampoline please attach the provided safety pads.









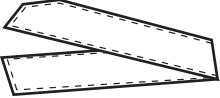

1. Lay out the safety pad around the outer edge of the trampoline, covering all the springs- as shown on right.



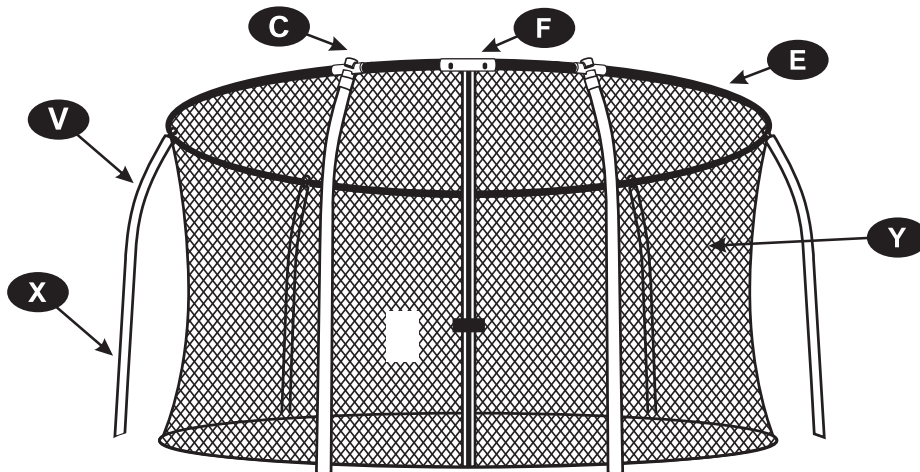
2. The safety pad has several sets of strings with two S-shaped hooks attached, along the perimeter of the pad. Passing the string under the frame of the trampoline, attach 1 S-shaped hook to the v-ring of the mat, and the other to the outer end of the spring. Refer to the figure alongside to see how to attach it correctly.



ENCLOSURE PARTS LIST

ITEM	PART IMAGE	MODEL	8 FT	11 FT	13 FT	15 FT
V		Upper Net Pole With Foam Sleeve	6	6	6	6
X		Lower Net Pole With Foam	6	6	6	6
C		Top Cap	6	6	6	6
Y		Enclosure Net	1	1	1	1
E		Fiberglass Rod	5	10	11	11
	8 ft. (52.6 inch)					
	11 ft. (38.03 inch)					
	13 ft. (41.1 inch)					
	15 ft. (47.64 inch)					
F		Fiberglass Rod Connector	1	1	1	1
Z		Rope	1	1	1	1
U		Foam Sleeve Covers	6	6	6	6
T		PVC Sleeve	6	6	6	6
S		Push Button	12	12	12	12

OVERALL ENCLOSURE PARTS WITH ITEM CODE



ENCLOSURE POLE ASSEMBLY

WARNING:

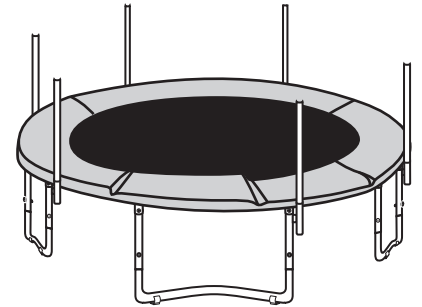
2 adults in good physical condition are required for the following assembly. Wear proper shoes and maintain balance to prevent a fall. Failure to follow all instructions and warning exactly may result in serious injury.

Step 1

Insert push buttons into part F2, the button should pop out through the hole. You can then attach the lower enclosure poles to part F2 all the way around the trampoline.

Note:

The lower poles are the poles that are tapered/narrow at both ends.

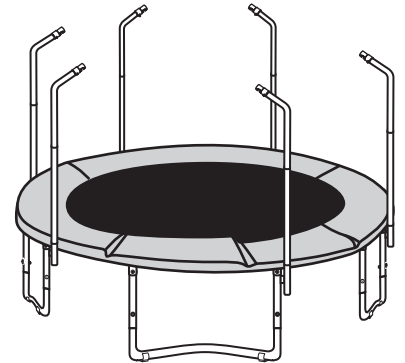


Step 2

Once the lower pole is attached, insert push buttons in the top end of the poles. (Make sure the button pops out of the designated hole.) You can then attach the upper poles to the lower poles. Attach all the upper poles, making sure the foam sleeves are covering the poles properly. Place the pole caps part C on top of the upper poles.

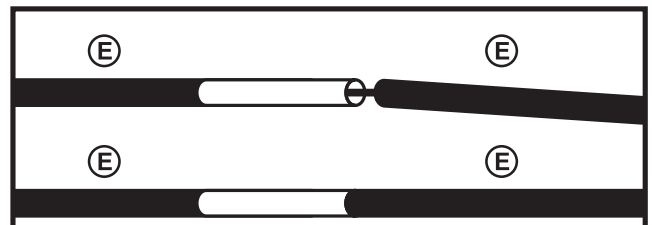
New Feature!

The PVC sleeves should be used to cover all the poles. Once the upper and lower poles are connected to the trampoline frame, cover the poles with the PVC sleeves (Part T).



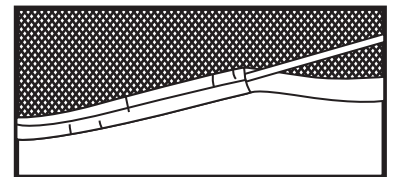
Step 3

Start connecting the fiberglass rods to each other by clicking them together, until you have connected all the rods.



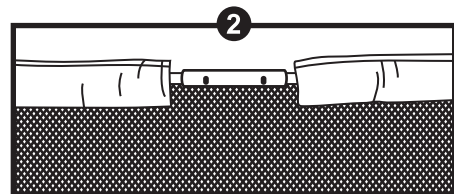
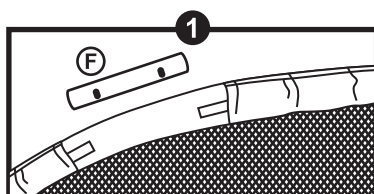
Step 4

Run the connected fiberglass pieces (from step 3) through the casing/tubing at the upper edge of the safety net. Continue through each casing until you form the entire circle, and both ends of the rods are coming together.



Step 5

Connect the 2 ends of the rods together with the Rod Connector (F) by sliding them into the rod connector and ensuring that the extruded parts from the rods click into the holes of the rod connector



Step 6

Lift the fiberglass ring and safety net to the top of the support poles. At each pole, click the fiber glass rod into the opening of the pole cap, aligning at the spaces between the casings.

Note: the pole caps should be facing outwards.

Fiber Glass Rod



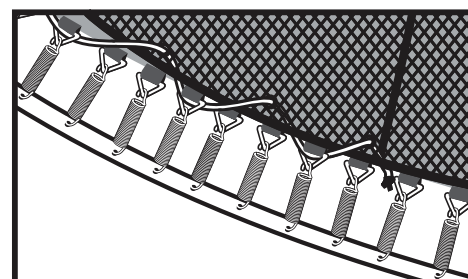
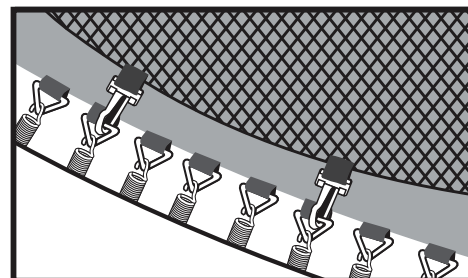
Pole cap



Clipped pole cap

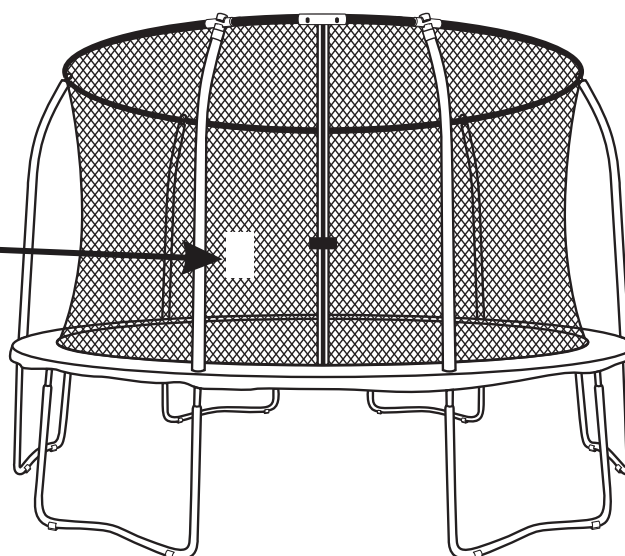
SECURING THE BOTTOM OF THE NET

1. Connect the net to the v-rings of the trampoline mat using the attached clips, securing at regular intervals. This holds the net in place for you to complete the attachment with rope.
2. Secure one end of the rope by knotting it to the v-ring closest to the trampoline entrance zipper on one side.
3. Weave the rope through the net and every second v-ring successively, moving around the trampoline in the direction away from the entrance zipper.
4. When you complete the weaving and reach the other side of the entrance zipper, secure the other end of the rope also by knotting it to the v-ring closest to the entrance on that side.



Your trampoline safety net is now fully secured. Follow the safety checks in the 'testing the trampoline' section before using the trampoline net.

Put warning label here



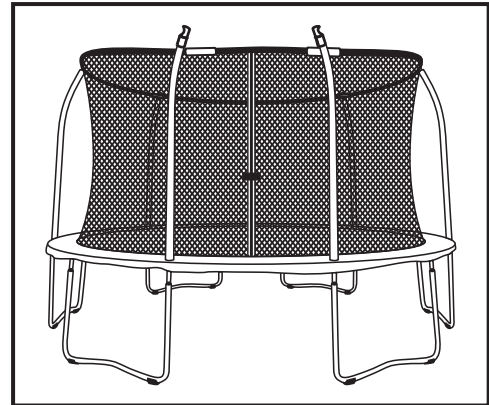
Your Upper Bounce Trampoline is now assembled and ready to be used.

Please attach the warning label included in the box to the enclosure net and safety pad. Make sure labels are placed at the trampoline entrance to avoid misuse of the trampoline.

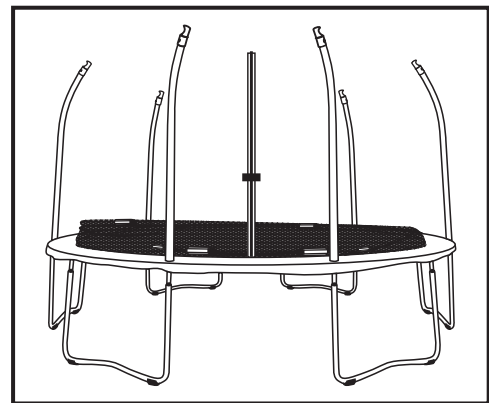
TRAMPOLINE STORAGE DURING WINTER

This Upper Bounce trampoline is specially designed with an easy to disassemble enclosure set. Protect your enclosure by taking it down while it is not in use for a longer period such as during the winter. Below are the instructions for how to disassemble it. Please note! The instructions below refer to a weather cover that is not included in the trampoline purchase, but can be purchased as a supplement.

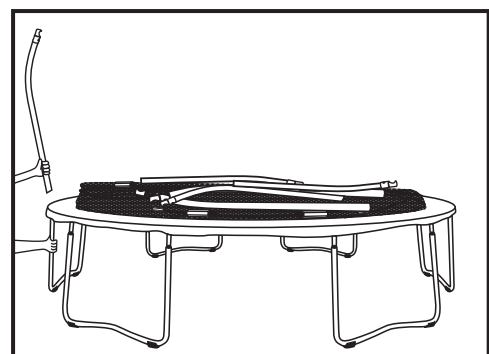
- 1.** Slide the fiberglass rod circle out of the poles caps on the top of each support pole.



- 2.** Lay down the entire net together with the circle of rods on the trampoline mat as shown in the figure on right.
Note: You do not have to detach the bottom of the net in order to cover it. Just remove the circle of rods and lay it on the trampoline mat while the net is still attached to the trampoline frame.



- 3.** Remove all the support poles from trampoline frame and lay them down on the trampoline mat as well.



- 4.** Cover the trampoline and all the parts with a weather cover. (Not included in this purchase, can be purchased separately.)



TESTING THE TRAMPOLINE

After assembling the trampoline, it is important that you perform the following safety checks:

Trampoline Safety Checks:

- Using a screw driver, check if all the screws are tightly secured.
- Look under the trampoline and check that all the springs are hooked securely between the frame and triangle rings.
- Move the trampoline around and check the sturdiness of the frame.
- Using your two hands, put your body weight on one section of the trampoline and release to check that the floor is even.
- Inspect the cover pads and check that they completely cover the springs and frame.
- Make sure the strings of the safety pads are tied securely.

Enclosure Net Safety Checks:

- Take hold of the safety net and check that all the enclosure poles are sturdy by shaking it.
- Check the safety net for any tears in the stitching or material.
- Ensure the enclosure net zipper and entrance hooks function properly.
- Check to see if the safety net is fully attached to the triangle rings by attempting to lift it at intervals. If gaps are detected, tighten the rope attachment until no more gaps appear.

Once all the checks are performed and the trampoline has passed all the initial tests, perform a final test by having one person jump continuously for 5 minutes in the center of the trampoline. If the trampoline feels sturdy then your trampoline passes the test.

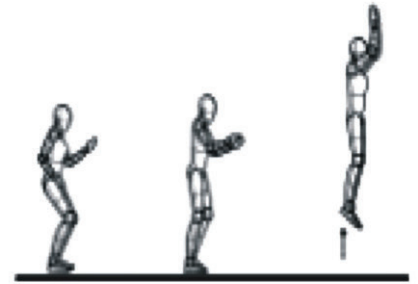
Congratulations, you have completed the trampoline assembly! Remember to abide by all the safety rules. Have fun, play safe ...

FUNDAMENTAL BOUNCE TECHNIQUES

It is recommended that all trampoline users familiarize themselves with these fundamental bounces, practicing them carefully to gain mastery.

The Basic Bounce

- Start from a standing position, feet shoulder width apart with head and eyes on the mat.
- Swing your arms forward and up and around in a circular motion.
- Bring feet together while in mid-air and point toes downward.
- Keep your feet shoulder width apart for your landing on the mat.



The Braking Manoeuvre

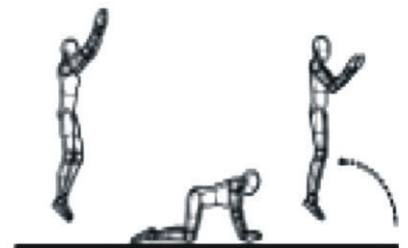
Occasionally they may lose control of their jump and bounce wildly. Performing the braking manoeuvre will allow the user to regain control of the jump and their balance.

- Start with a basic bounce.
- As you land, bend your knees sharply and this will allow you to stop your jump.



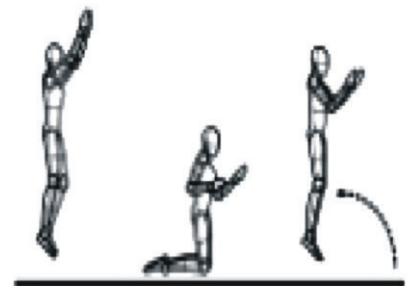
The Hands and Knees Bounce

- Start with a low controlled basic bounce.
- Land on your hands and knees keeping your back straight.
- Emphasis should be directed at a good four-point landing, and not on jumping height.



Knee Bounce

- Start with a low controlled basic bounce.
- Land on your knees keeping your back straight, body erect, and use your arms to maintain balance.
- Bounce back to the basic upright bounce position by swinging your arms up.










Seat Bounce

- Land in a flat sitting position.
- Place your hands on the mat beside your hips.
- Return to an erect position by pushing yourself up with your hands.



REPLACEMENT PARTS LIST

If you need to replace any part of your trampoline, you can look for the Upper Bounce parts list below for each item model name :

SIZE	JUMPING MATS	SAFETY PADS	SAFETY NETS				WEATHER COVERS	
	 Example UBMAT-7.5 (Frame size) -42 (Amt of springs) -5.5 (Spring size)	 Example UBPAD-S (Super) -7.5 (Frame size) -B (Blue) / P (Premium) / G (Green) / BG (Blue Green)	 Strap Type Net (Inside) Example UBNET-7.5 (Frame size) -6 (Amount of poles)-IS	 Strap Type Net (Outside) Example UBNET-7.5 (Frame size) -6 (Amt of poles)-OS	 Sleeves on Top - Net (Arch) Example UBNET-7 (Frame size) -3 (Amt of arches)-AST UBNET-6-3-AST	 For Curved Poles Example UBNET-8FG (Frame size) -6 (Amount of poles)	 Black Example UBWC-12 (Frame size) -BK (Black)	Blue Example UBWC-14 (Frame size) -BL (Blue)
SIZE 6								
SIZE 7			UBNET-7.5-6-IS	UBNET-7.5-6-OS	UBNET-7-3-AST			
SIZE 7.5	UBMAT-7.5-42-5.5	UBPAD-S-7.5-B					UBWC-7.5	
SIZE 8	UBMAT-8-48-5.5 UBMAT-8-56-5.5 UBMAT-8-60-5.5	UBPAD-S-8-B	UBNET-8-6-IS UBNET-8-4-IS		UBNET-8-2-AST	UBNET-8FG-6	UBWC-8	
SIZE 10	UBMAT-10-56-5.5 UBMAT-10-64-5.5	UBPAD-S-10-B	UBNET-10-4-IS UBNET-10-6-IS UBNET-10-8-IS	UBNET-10-8-OS			UBWC-10	
SIZE 11	UBMAT-11-60-5.5 UBMAT-11-72-5.5				UBNET-11-3-AST	UBNET-11FG-6	UBWC-11	
SIZE 12	UBMAT-12-60-7 UBMAT-12-72-5.5 UBMAT-12-84-5.5 UBMAT-12-84-6.5 UBMAT-12-80-5.5	UBPAD-S-12-B UBPAD-S-12-G UBPAD-S-12-BG UBPAD-P-12-B	UBNET-12-8-IS UBNET-12-4-IS UBNET-12-6-IS	UBNET-12-4-OS UBNET-12-6-OS	UBNET-12-2-AST UBNET-12-3-AST UBNET-12-4-AST	UBNET-12FG-4 UBNET-12FG-6	UBWC-12-BK	UBWC-12-BL
SIZE 13	UBMAT-13-72-5.5 UBMAT-13-80-5.5 UBMAT-13-80-7	UBPAD-S-13-B	UBNET-13-6-IS UBNET-13-8-IS	UBNET-13-6-OS UBNET-13-8-OS	UBNET-13-2-ASTR UBNET-13-3-AST UBNET-13-4-AST	UBNET-13FG-6	UBWC-13	
SIZE 14	UBMAT-14-72-5.5 UBMAT-14-72-7 UBMAT-14-80-5.5 UBMAT-14-80-7 UBMAT-14-84-7	UBPAD-S-14-B UBPAD-S-14-G UBPAD-S-14-BG UBPAD-P-14-B	UBNET-14-4-IS UBNET-14-6-IS UBNET-14-8-IS	UBNET-14-6-OS UBNET-14-8-OS	UBNET-14-3-AST UBNET-14-4-AST	UBNET-14FG-4 UBNET-14FG-6	UBWC-14-BK	UBWC-14-BL
SIZE 15	UBMAT-15-84-6.5 UBMAT-15-90-7 UBMAT-15-96-7 UBMAT-15-100-7	UBPAD-S-15-B UBPAD-S-15-G UBPAD-S-15-BG UBPAD-P-15-B	UBNET-15-6-IS UBNET-15-8-IS	UBNET-15-6-OS UBNET-15-8-OS	UBNET-15-3-AST UBNET-15-4-AST	UBNET-15FG-5 UBNET-15FG-6 UBNET-15FG-8	UBWC-15-BK	UBWC-15-BL
SIZE 16	UBMAT-16-108-7.5	UBPAD-S-16-B	UBNET-16-6-IS				UBWC-16	
SIZE 17						UBNET-17FG-8		Rectangle Weather Cover- Black
		Safety Pads Square	Arch Net - Square	Oval Net	Universal Net Type			
	Square Mat	UBPADSQ-13	UBNETSQ-1313-4	UBNETO-1614 UBNETO-1715	UBNETU1 UBNETU2		10'x17'	UBWCRTG-1710-BK
	Oval Mats	Safety Pads Oval					9'x15'	UBWCRTG-150-BK
	Band Mats	UBPADO-1614 UBPADO-1590					8'x14'	UBWCRTG-148-BK
								Square Weather Cover- Black
							17'x17'	UBWC-1717-BK

Other Accessories:

Ladder	UBL3S-42-G
Ladder with Flat Steps	UBLBFS3-42
Trampoline Shoe Bag	UBSHB-3
Trampoline Anchor Kit (Set of 4)	UBHWD-AK-4
Deep Fastening Spiraled Anchor Kit - Set Of 4	UBHWD-AKB-4
Trampoline Spring Pull Tool (T-hook)	UBHWD-TH
Upper Bounce® Trampoline Jumping Skate	UB-TJB



To explore all trampoline parts
Checkout our buying guide at
www.upperbounce.com/buyingguide



To process an exchange go to
<http://www.upperbounce.com/exchange>

**Take
15% OFF**

for any trampoline parts
purchased from us

USE CODE: **15OFFMANUAL**



Still have questions?

While we provide a large variety of trampolines, we also pride ourselves in the large selection of our trampoline replacements parts which are compatible with most trampolines regardless of their brand.

If you are having difficulties finding replacement parts for your trampoline you can either send us an email to sale@upperbounce.com for warranty related issues to support@upperbounce.com or give us a call at **1888-965-3331**

Our Customer Service Department staff are trained in the details of all trampolines and will help you find the right part to get you bouncing again.

We never forget our goal... **Get The Upper Bounce!**



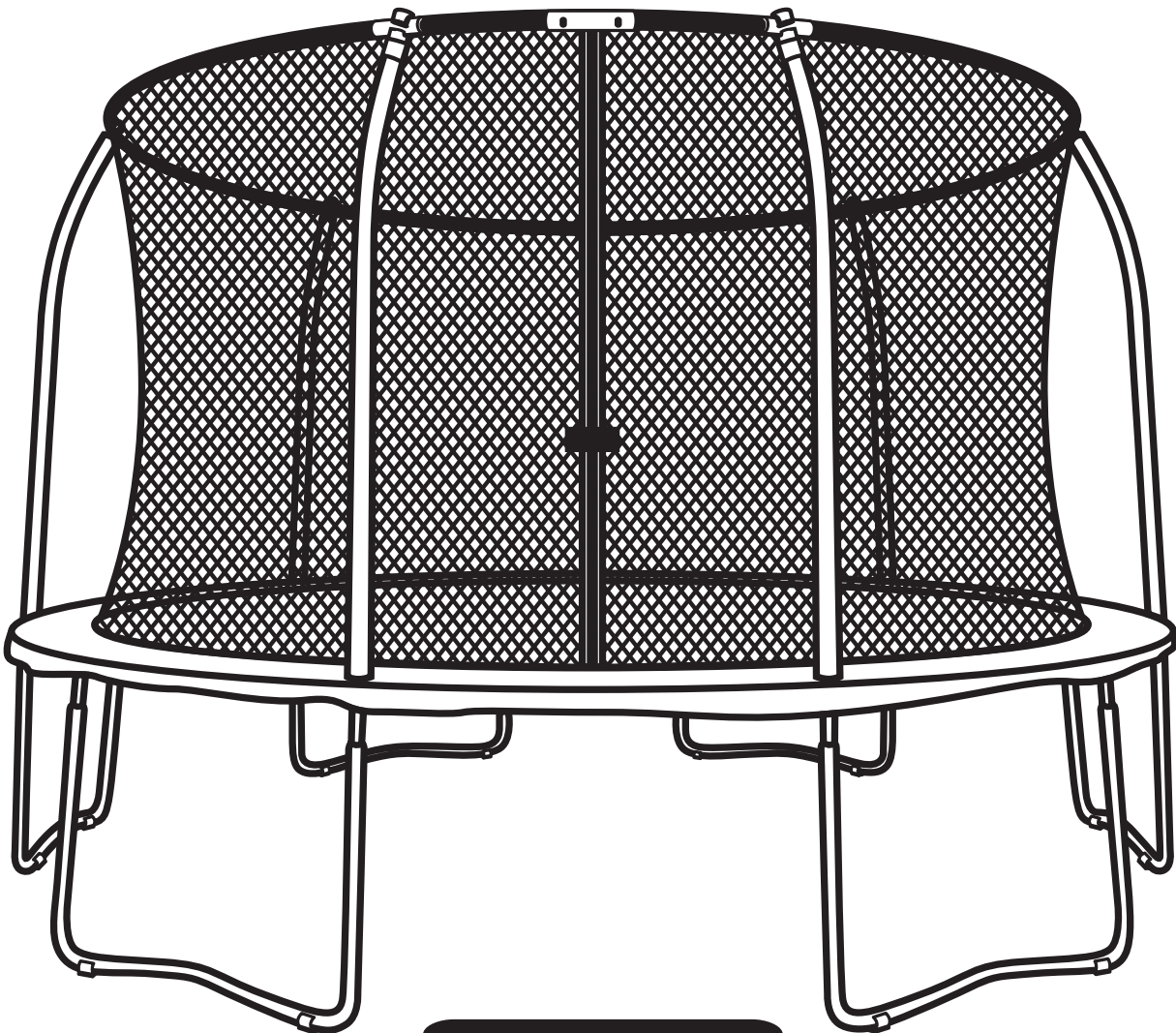
Manuel d'utilisation du Trampoline

Facile à monter et démonter

Instructions pour monter, installer, entretenir, maintenir et utiliser le trampoline

AVERTISSEMENT

Lisez attentivement les consignes avant d'assembler ou d'utiliser le trampoline.



Modèles

UBSF02-8

UBSF02-11

UBSF02-13

UBSF02-15

UB03EC-11E

Manual Version #06

Upper Bounce[®] Inc. 2 Mill St. Cornwall NY 12518, 1-888-965-3331, www.upperbounce.com



USA

UK



Téléphonez-nous

1-888-965-3331

020-3150-0484



Envoyez-nous un email

support@upperbounce.com

support@upperbounce.co.uk



Consultez notre webside

www.uppperbounce.com

MERCI D'AVOIR ACHETÉ CE TRAMPOLINE UPPER BOUNCE®!

Avant toute utilisation du trampoline, veuillez suivre les instructions de montage et de sécurité détaillées dans ce manuel : vous pourrez ensuite commencer le programme d'exercices conçu par Upper Bounce pour une vie saine, heureuse et divertissante!

Si vous avez des questions, n'hésitez pas à contacter notre service clientèle

Numéro gratuit : **1-888-965-3331**

DU LUNDI AU JEUDI

9:30 A.M. – 5:00 P.M.

Heure de l'Est

VENDREDI

9:00 A.M. – 12:00 P.M.

Heure de l'Est

TABLES DES MATIÈRES

	Page
Introduction, instructions, conseils supplémentaires, avertissements	3-6
Liste des pièces du cadre du trampoline	7
Pièces principales avec code de chaque élément	8
Montage du cadre du trampoline	9-10
Montage de la toile de saut	11
Montage du coussin de protection	12
Liste des éléments de l'enceinte	13
Montage de l'enceinte	14-15
Démontage de l'enceinte	16
Test de contrôle pour le trampoline	17
Techniques de saut de base	18
Liste des pièces de rechange	19

CONSIGNES GENERALES

Vous trouverez dans ce manuel des directives pour bien assembler, entretenir et préserver ce produit ainsi que des conseils de sécurité et des avertissements pour que vous sachiez utiliser le trampoline à bon escient. Avant toute utilisation de votre trampoline, veuillez impérativement prendre connaissance et vous familiariser avec toutes les informations fournies dans ce manuel que vous soyez utilisateur ou superviseur : vous pourrez dès lors sauter en toute confiance et profiter un maximum du trampoline.

Comme dans toute activité sportive et physique, les participants risquent de se blesser. Pour réduire toute éventualité de blessure, veillez à lire les règles et les conseils de sécurité appropriés. Toute personne qui utilise le trampoline doit être conscient de ses limites lorsqu'elle effectue des sauts et des rebonds. Les trampolines sont des appareils de saut qui propulsent l'utilisateur à des hauteurs inhabituelles grâce à différents mouvements. Gardez toujours le contrôle lorsque vous jouez sur le trampoline. Il faut au départ s'habituer au trampoline et se familiariser avec l'effet de chaque rebond. Concentrez-vous sur la position du corps et entraînez-vous à faire des sauts de base jusqu'à ce que vous les maîtrisiez avant de passer à des sauts plus compliqués. Ne soyez pas imprudent sur le trampoline. Gardez le contrôle et la maîtrise des différentes techniques de saut.

Assemblage Correct

- L'assemblage du produit doit se faire avec précision par au moins deux adultes bien portants. Si vous rencontrez des difficultés, contactez-nous ou prenez conseil auprès d'une personne qualifiée.
- Gardez en tête qu'il existe toujours un risque de blessure lorsqu'on travaille avec des outils et que l'on fait un travail technique. Faites attention et utilisez des gants pour protéger vos mains.
- Enlevez les emballages et posez les pièces par terre dans un espace libre. Cela donne une idée d'ensemble et facilite le processus de montage. Vérifiez avec la liste des pièces que rien ne manque. Débarrassez-vous des emballages une fois l'assemblage terminé.
- Travaillez sur une surface sécurisée. Ne laissez pas d'outils dans l'espace de travail.
- Placez le trampoline au niveau du sol, de préférence sur la pelouse. Placer le trampoline sur une surface dure peut tendre le cadre et provoquer à l'usure des dégâts non couverts par la garantie. Le trampoline peut basculer sur un sol inégal.
- Il est nécessaire d'avoir un espace libre de 7.30 m au-dessus du trampoline. Il faut aussi de la distance entre le trampoline et toutes sources de dangers éventuels telles que des câbles électriques, des branches d'arbre, des jouets, une piscine ou des barrières.
- Après l'installation du produit selon les instructions du manuel, vérifiez que les vis, les boulons et les écrous sont bien vissés et serrés fermement et que les joints sont bien scellés.
- Pour plus de stabilité, lester les pieds du trampoline avec des sacs de sable. Cela va empêcher qu'il bascule en cas de fortes pressions.

- N'installez jamais le trampoline lorsque le temps est pluvieux et qu'il y a de fortes rafales de vent, des orages et surtout des éclairs. En cas d'intempéries, il est recommandé de démonter le trampoline et de le ranger au sec.
- Ne transformez pas le produit ; utilisez-le seulement comme c'est indiqué dans le manuel.

Entretien et Maintenance

- Contrôlez toujours le trampoline avant chaque utilisation : vous pourrez ainsi déceler des anomalies ou des pièces défectueuses qui remettent en cause la sécurité. Toute pièce endommagée ou usée doit être changée immédiatement. Il est interdit de se servir du trampoline tant que les réparations ne sont pas effectuées.
- La zone du trampoline doit toujours être bien éclairée.
- Ne placez rien sous le trampoline.
- Les réparations doivent être effectuées uniquement par des techniciens qualifiés qui utilisent seulement les pièces de rechange originales. Ne pas faire les réparations selon les règles, peut compromettre la sécurité de votre trampoline.
- Des fortes rafales peuvent faire basculer le trampoline. En cas de prévision d'intempéries, attachez-le au sol fermement avec des cordes et des amarres ou démontez-le et mettez-le à l'abri.
- Evitez de changer le trampoline de place, il pourrait se tordre pendant le transport. Si c'est vraiment nécessaire, soyez au moins quatre personnes autour du cadre pour le soulever du sol. Le trampoline doit être porté horizontalement et si le cadre se tord, les quatre personnes doivent le remettre en forme.
- Utilisez le trampoline uniquement si la toile de saut est propre et sèche. Une toile de saut endommagée ou usée doit être remplacée immédiatement.

Directives de Sécurité

Pour réduire les risques de blessures, veuillez lire attentivement et suivre scrupuleusement toutes les consignes et les conseils de sécurité.

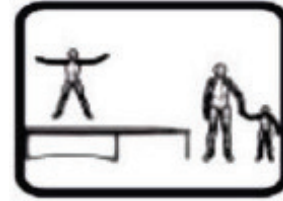
- Ce produit est conçu pour un usage personnel. Il n'est pas adapté à un usage professionnel ou pour des soins médicaux.
- Une seule personne à la fois ! Plusieurs utilisateurs multiplient les chances de collision.



- Ne faites pas de sauts périlleux sur le trampoline car vous pourriez atterrir sur la tête ou le cou ce qui peut engendrer la paralysie ou la mort.



- Les enfants n'ont pas conscience des dangers potentiels de ce produit. Ne laissez pas les enfants jouer sur le trampoline sans la supervision d'un adulte.



- Les trampolines de plus de 51cm de hauteur ne sont pas recommandés pour les enfants de moins de 6 ans.

Avertissements

- Ne permettez l'usage du trampoline sans autorisation.
- Ne pas utiliser le trampoline si vous êtes enceinte ou si vous avez une tension artérielle élevée.
- Ne fumez pas sur le trampoline. Ne faites pas de trampoline sous l'emprise de l'alcool ou de la drogue ou de médicaments.
- Protégez le produit contre l'humidité et les températures élevées.
- Ne mettez pas de cigarettes, d'animaux domestiques, d'objets pointus sur le trampoline.



- N'exposez pas le trampoline aux flammes.
- Le cadre en métal du trampoline est conducteur d'électricité. Aucun équipement électrique (lumière, rallonges...) ne doit rentrer en contact avec le trampoline.
- Ne pas utiliser le trampoline à côté d'autres jeux ou de sites de construction.
- Ne rien mettre sous le trampoline lorsque quelqu'un saute sur la toile. La toile est souple et la force engendrée par le sauteur peut provoquer de sérieuses blessures.



- Ne laissez pas des enfants seuls approcher le trampoline. Appliquez les règles de sécurité et supervisez toutes les activités sur le trampoline. Faites attention : le matériel d'emballage n'est pas un jouet et peut provoquer l'étouffement !





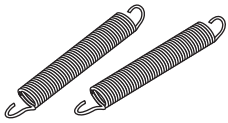

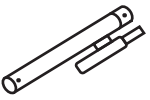

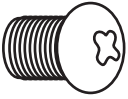



Utilisation Correcte

- Le poids maximum sur le trampoline est de 500 lb (225 kg). Surchargez le trampoline provoque des dégâts.
- Une seule personne à la fois peut sauter sur le trampoline !
- Evitez l'utilisation du trampoline sans supervision.
- Ne pas utilisez le trampoline s'il est humide.
- Ne portez pas de chaussures lorsque vous sautez. Cela abime la toile de saut.
- Ne vous asseyez pas ou ne vous appuyez pas sur les coussins de protection afin qu'ils restent souples pour suivre le mouvement de la toile.
- Enlevez les objets dangereux de l'espace de jeu.
- Ne permettez pas aux petits enfants de se hisser sur le trampoline en utilisant les coussins car cela peut endommager les coussins et cela peut compromettre la sécurité du trampoline.
- Evitez les vêtements lâches avec des accessoires qui pourraient se coincer dans le trampoline.
- Faites attention en grimant dans le trampoline. Ne sautez pas dedans directement. Ne l'utilisez pas comme un tremplin pour d'autres activités. On peut se blesser en n'atterrissant pas dans une bonne position si l'on saute dans le trampoline. On risque de se cogner contre le cadre ou les coussins de protection.

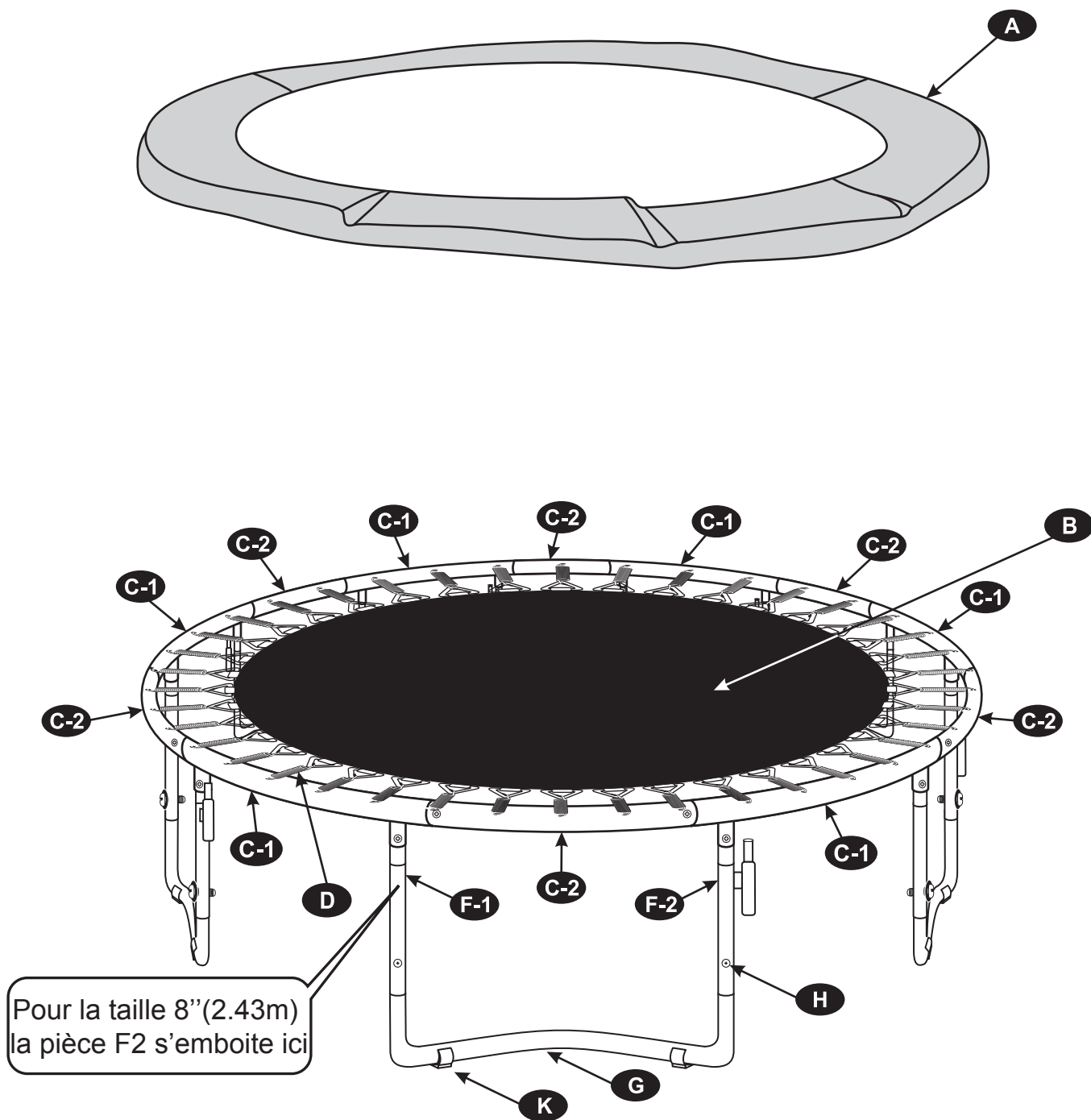
Il est de la responsabilité du propriétaire ou du superviseur de garantir que tous les utilisateurs du trampoline soient informés des règles de sécurité et qu'il y ait suffisamment d'espace autour du trampoline pour assurer la protection.

Maitrisez bien les techniques de saut de base avant de passer à des sauts plus compliqués. Voir la section : techniques de saut de base pour plus d'informations.

LISTE DES PIÈCES DU TRAMPOLINE

Article	Illustration de la pièce	Modèle	8 FT	11 FT	13 FT	15 FT
A		Coussin de protection	1	1	1	1
B		Toile de saut	1	1	1	1
C1		Arcs en acier	3	6	6	6
C2			3	6	6	6
D		Ressorts	48	72	84	96
F1		Rallonges de pied	0	6	6	6
F2			6	6	6	6
G		Tubes en forme de W	3	6	6	6
H		Vis	18	36	36	36
I		Outils pour ressorts	1	1	1	1
J		Tournevis	1	1	1	1
K		Embouts de fixation	6	12	12	12

TOUTES LES PIÈCES AVEC LEUR NUMÉRO DE CODE



Note:

Le schéma reste à titre descriptif : chaque taille a des quantités différentes de chaque pièce. Reportez-vous à la liste de votre manuel pour savoir exactement quelles sont les pièces qui composent votre trampoline.

MONTAGE DU CADRE DU TRAMPOLINE

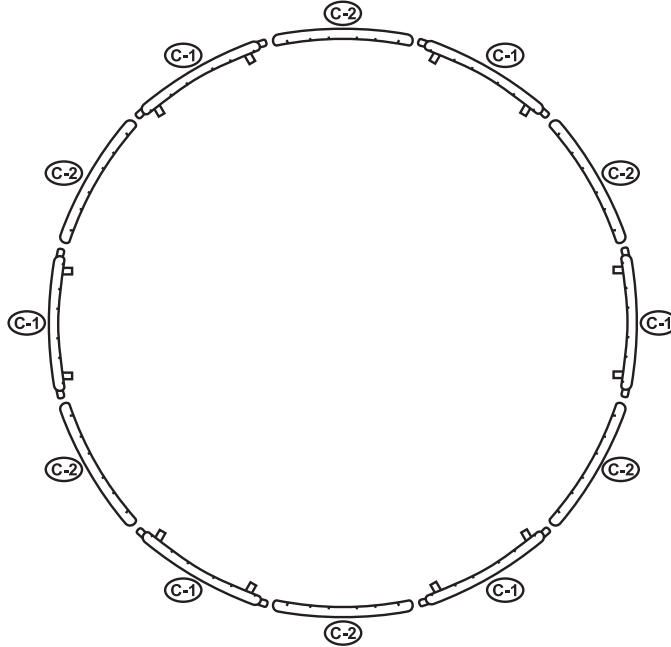
AVERTISSEMENT

Il faut deux adultes en bonne condition physique pour procéder au montage. Portez des chaussures appropriées pour garder l'équilibre et empêcher les chutes. Il est dangereux de ne pas suivre les instructions correctement.

Etape 1

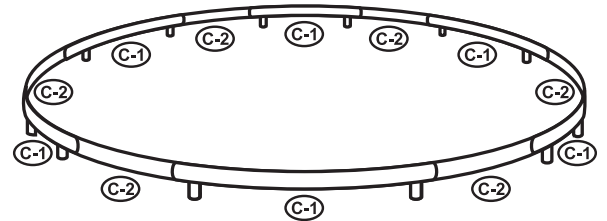
Placer le cadre

Placer les éléments du cadre au sol pour former un cercle avec les arcs du rail supérieur. Faites attention de mettre tous les tubes dans la même direction tout autour du trampoline.



Etape 2

Emboitez les pièces C-1 et C-2 ensemble et former le cercle en suivant le modèle : C-1+C-2+C-1+C-2. Attachez le dernier tube requiert deux adultes ou plus en bonne condition physique. Une seconde personne maintient le bout opposé et fixe les deux cotés ensemble.



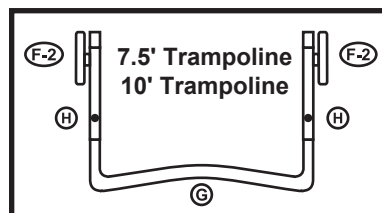
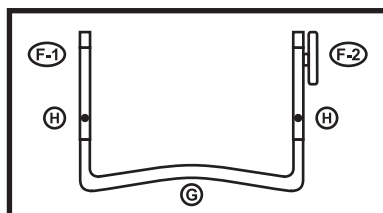
Note:

Si votre cadre ne semble pas stable, ne vous inquiétez pas : la toile du trampoline va le stabiliser.

Etape 3

Construisez les pieds

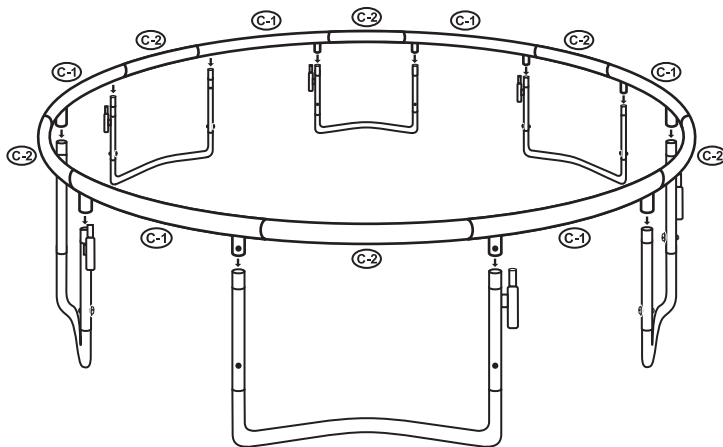
Attachez les deux rallonges des pieds, pièce F-1 et F-2 à la base de support G et resserrez fermement avec les vis. Remarque : le trampoline de 8''(2.43m) a uniquement des pièces F-2 donc attachez les F-2 sur les deux côtés. Répétez le processus pour tous les pieds.



Etape 4

Attachez les pieds

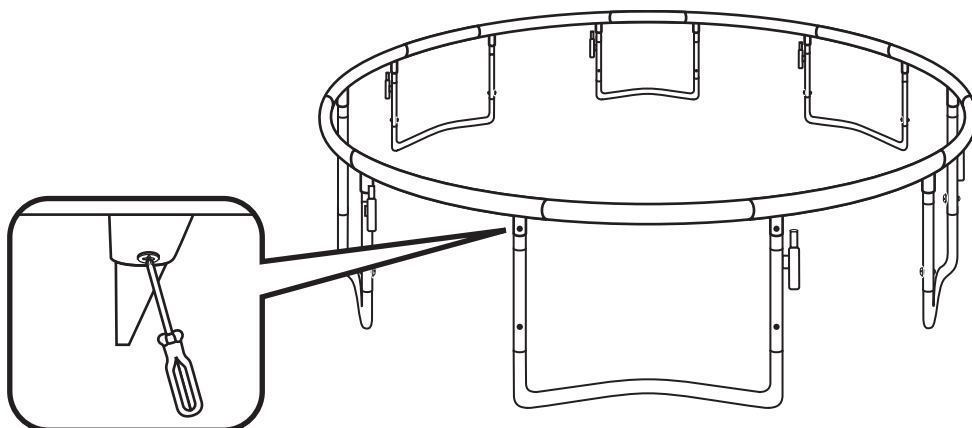
Attachez les supports de pieds que vous avez emboîtés lors de la 2ème étape au rail supérieur C-1. Chaque pied s'attache à 2 embouts de C-1 comme on le voit sur le schéma. Répétez la même opération jusqu'à ce que le cadre tienne debout.



Etape 5

Fixation des pieds

Fixez les supports des pieds au rail supérieur avec des vis serrées fermement.



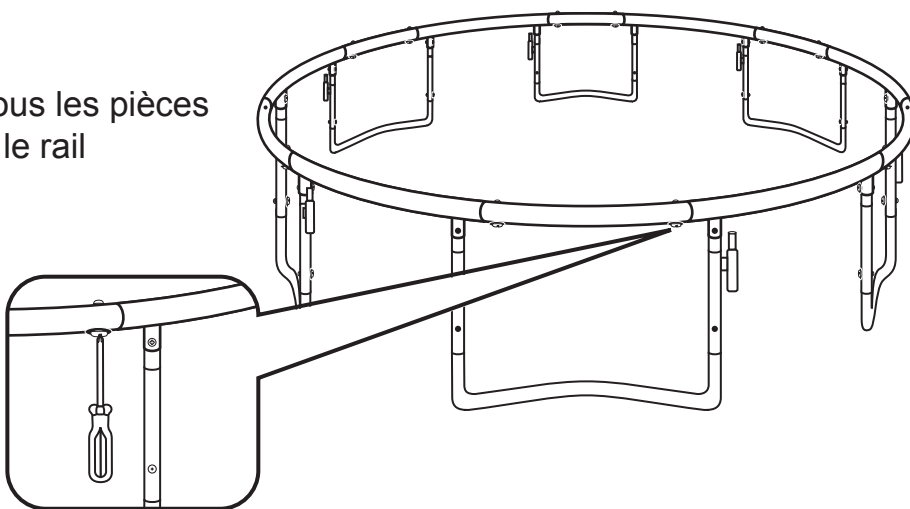
Etape 6

Fixation du cadre

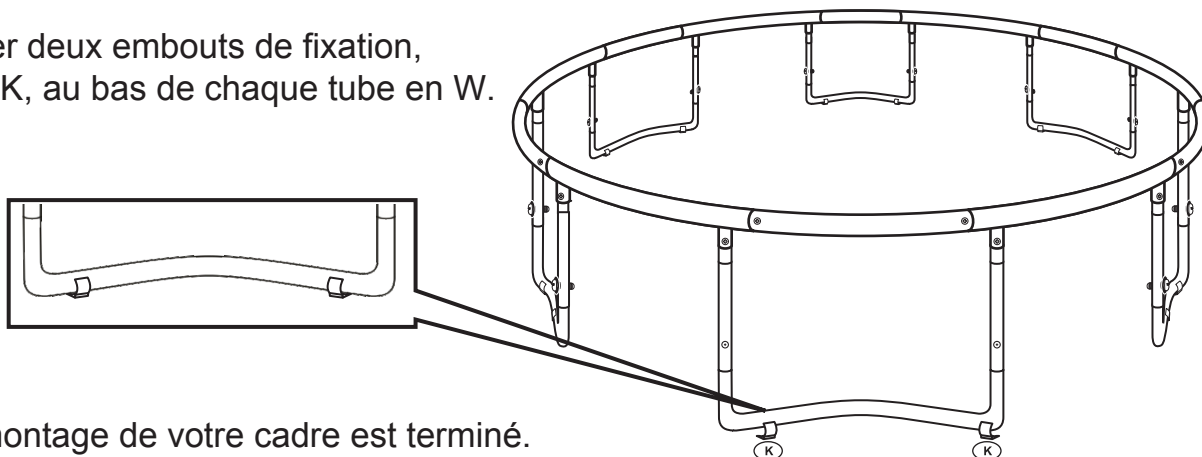
Fixez le cadre avec des vis sous les pièces C-2 pour maintenir ensemble le rail supérieur.

Note:

Si vous ne pouvez pas insérer une vis parce que les trous ne sont pas alignés, attendez d'avoir installé la toile car la structure va s'aligner d'elle-même.



Ajouter deux embouts de fixation, pièce K, au bas de chaque tube en W.



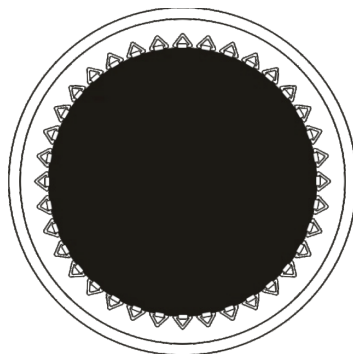
Le montage de votre cadre est terminé.

ASSEMBLAGE DE LA TOILE DU TRAMPOLINE

AVERTISSEMENT :

Faites attention où vous placez vos mains pendant la mise en place des ressorts. On risque de se pincer aux points de jonction !

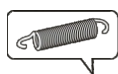
1. Posez la toile de trampoline à l'intérieur du cadre.



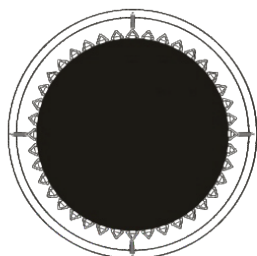
2. Accrochez 4 ressorts entre le tapis et le rail à intervalles réguliers autour du cercle comme on le voit sur le dessin ci-dessous. Puis attachez les autres ressorts suivant les étapes dessinées en dessous.

Remarque :

Faites attention qu'il y ait autant de bagues en forme de V entre les ressorts que de trous dans le cadre entre les ressorts.

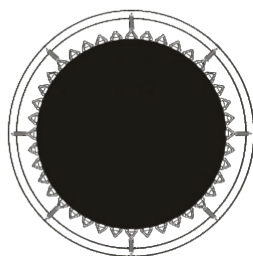


1



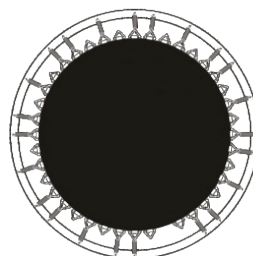
Accrochez 4 ressorts tous les quarts du cercle

2



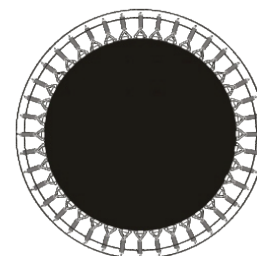
Ajoutez 4 autres ressorts au centre de chaque quart

3



Continuez tous les quelques ressorts

4



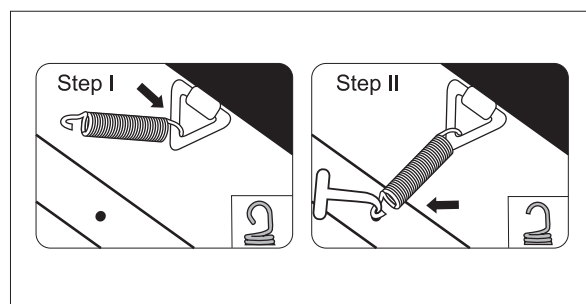
Finissez d'accrocher tous les ressorts

Comment utiliser l'outil de fixation des ressorts

1ère étape : Accrochez la partie la plus incurvée du ressort aux bagues triangulaires de la toile de trampoline.

2ème étape : Tendez l'outil de fixation des ressorts et accrochez-le à l'autre extrémité du ressort. Etirez dans la direction du cadre du trampoline jusqu'à ce que l'extrémité du ressort soit alignée au trou dans le cadre du trampoline.

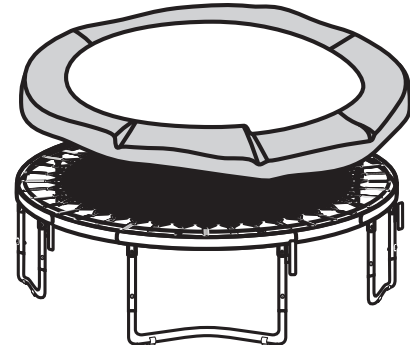
3ème étape : Faire glisser le bout du ressort dans le trou tout en dégageant l'outil.



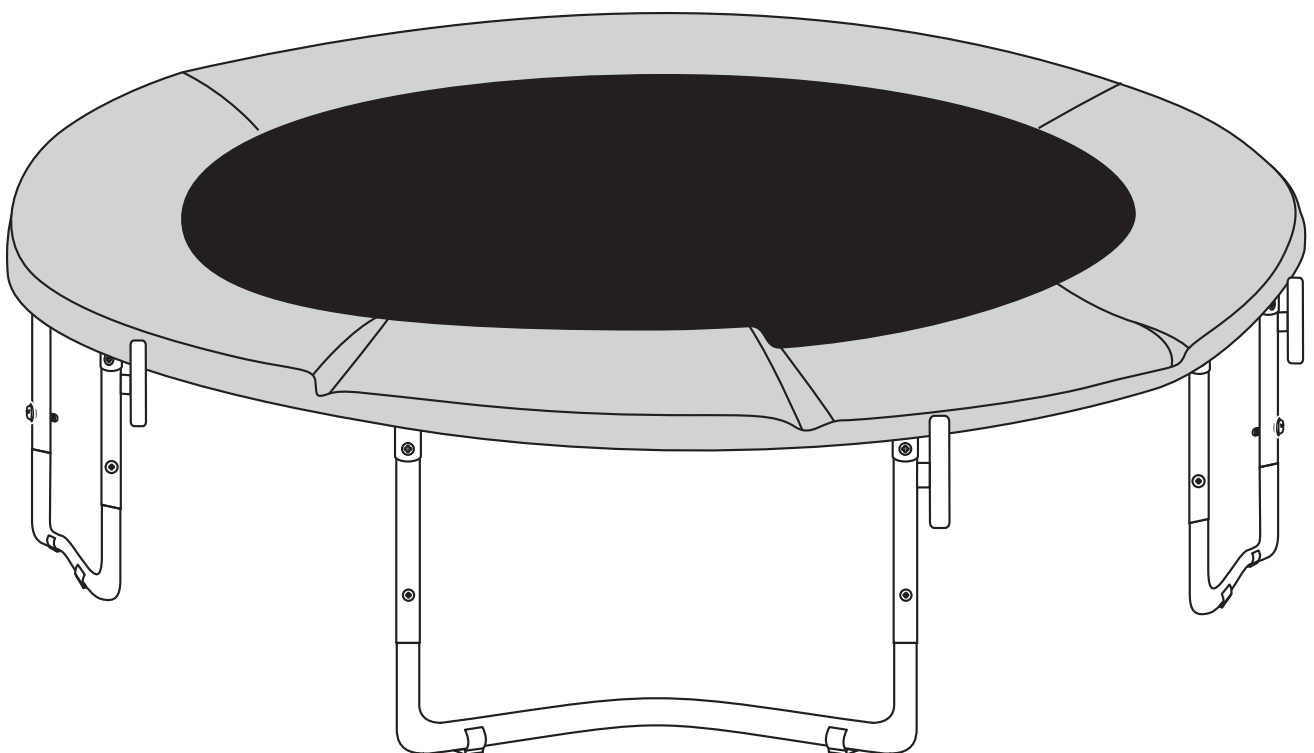
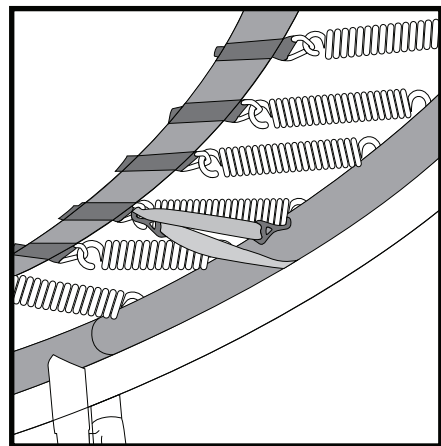
ASSEMBLAGE DES COUSSINS DE PROTECTION DU TRAMPOLINE

Le trampoline est presque terminé. Les ressorts sont en place. Veuillez, avant d'utiliser le trampoline, placer coussins de protection.




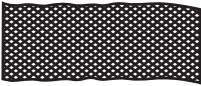




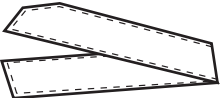

1. Posez les coussins autour du bord extérieur du trampoline pour recouvrir ainsi tous les ressorts comme sur le schéma à droite.



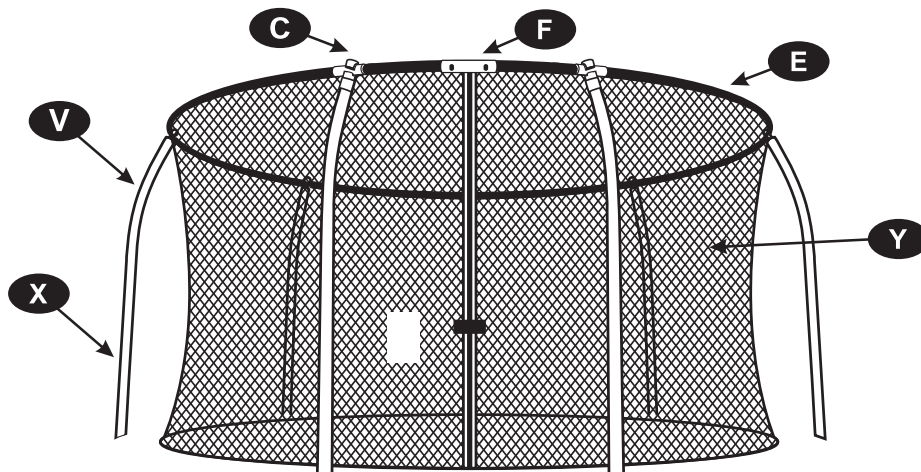
2. Les coussins de protections possèdent plusieurs ensembles d'attaches avec deux crochets en forme de S le long du périmètre du tapis. Faites passer l'attache sous le cadre du trampoline, attachez un crochet en forme de S à la bague en forme de v de la toile et l'autre crochet en forme de S à l'extrémité opposée du ressort. Reportez-vous au dessin pour être sûr que vous suivez bien les instructions.



LISTE DES PIÈCES DE L'ENCEINTE

Article	Illustration	Modèle	8 FT	11 FT	13 FT	15 FT
V		Tube supérieur avec mousse de protection	6	6	6	6
X		Tube inférieur avec mousse de protection	6	6	6	6
C		Capuchon	6	6	6	6
Y		Filet d'enceinte	1	1	1	1
E		Tiges en fibre de verre				
	8 ft. (52.6 inch) (1.33m)		5	10	11	11
	11 ft. (38.03 inch) (0.96m)					
	13 ft. (41.1 inch) (1.04m)					
	15 ft. (47.64 inch) (1.21m)					
F		Tige de raccord en fibre de verre	1	1	1	1
Z		Corde	1	1	1	1
U		Tube de protection en mousse	6	6	6	6
T		Manchon en PCV	6	6	6	6
S		Bouton clic	12	12	12	12

PIÈCES DE L'ENCEINTE AVEC LE CODE DE L'ARTICLE



ASSEMBLAGE DES TUBES DE L'ENCEINTE

AVERTISSEMENT

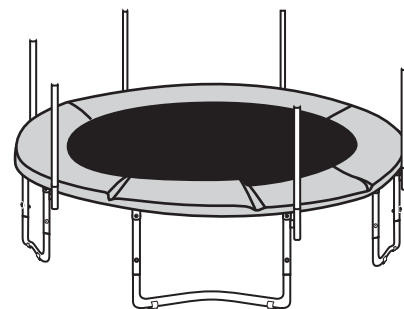
Il faut deux adultes en bonne condition physique pour le montage. Portez des chaussures adaptées pour garder l'équilibre et éviter les chutes. Suivez les instructions à la lettre pour éviter tout risque de blessure.

Etape 1

Insérez le bouton clic dans F2. Le bouton doit ressortir du trou. Vous pouvez attacher les tubes partie basse à F2 tout autour du trampoline.

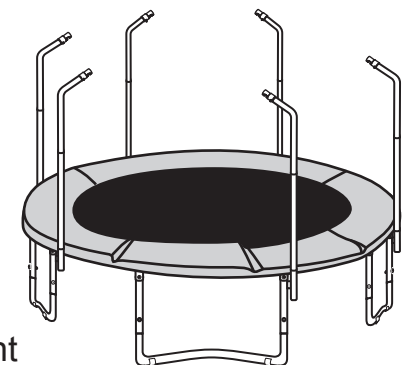
Remarque :

Les poteaux (tubes) inférieurs sont plus étroits à chaque extrémité.



Etape 2

Une fois les tubes partie basse attachés, insérez les boutons click dans la partie supérieure de chaque tube. (Faites attention que les boutons ressortent par le trou approprié). Vous pouvez ensuite attacher les tubes partie haute aux tubes partie basse. Les mousses de protection doivent recouvrir les tubes. Mettez les capuchons (C) en haut de chaque poteau.

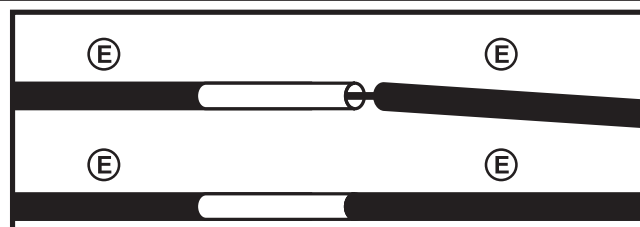


Nouveauté !

Les manchons en PVC sont utilisés pour recouvrir les tubes. Lorsque les tubes inférieurs et supérieurs sont connectés, vous pouvez les recouvrir de tubes de mousse (Pièce T)

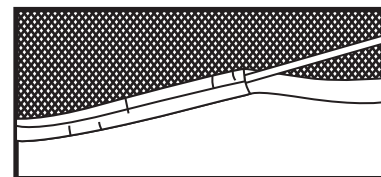
Etape 3

Accrochez ensemble les tiges en fibre de verre jusqu'à ce qu'elles soient toutes reliées.



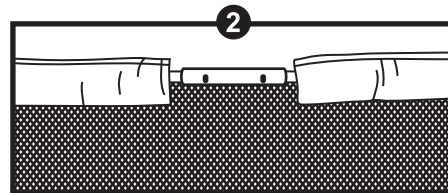
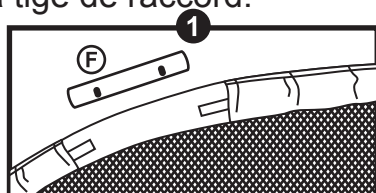
Etape 4

Faites passer les tiges en fibre de verre (de la 3ème étape) à travers le fourreau situé à l'extrémité supérieure du filet d'enceinte. Procédez ainsi à travers chaque fourreau tout autour du cercle jusqu'à ce que les extrémités des tiges se rejoignent.



Etape 5

Reliez ensemble les deux extrémités des tiges avec la tige de raccord (F) en les faisant glisser dans la tige de raccord et en s'assurant que les pièces en saillie des tiges cliquent dans les trous de la tige de raccord.



Etape 6

Soulevez le tour en fibre de verre et le filet de sécurité en haut des poteaux de soutien. A chaque poteau, faites rentrer en cliquant la tige en fibre de verre dans la partie ouverte du capuchon dans l'espace entre les fourreaux.

Fiber Glass Rod



Pole cap

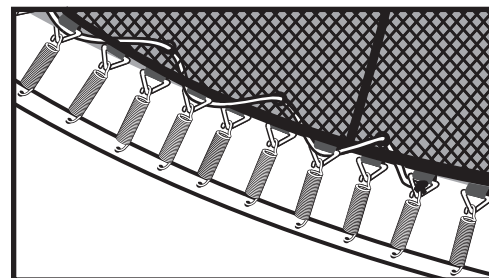
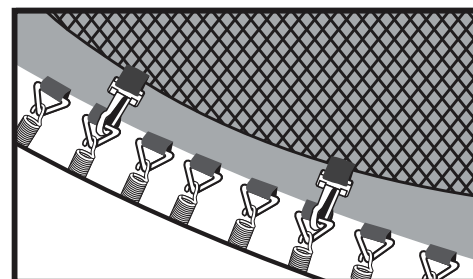


Clipped pole cap

Remarque : La partie ouverte des capuchons doivent faire face à l'extérieur.

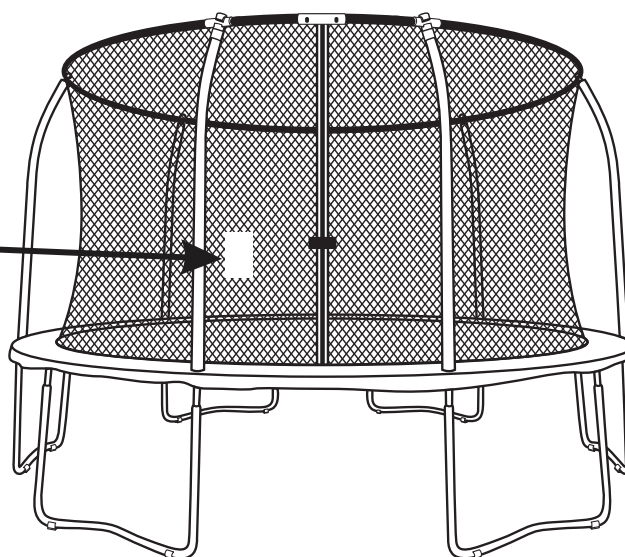
FIXEZ LE FOND DU FILET

1. Attachez le filet aux bagues en forme de v autour de la toile du trampoline en utilisant les clips d'attaches à intervalles réguliers. Cela maintient le filet en place et permet le passage de la corde.
2. Attachez un bout de la corde en la nouant sur la bague en forme de v la plus proche d'un côté de la fermeture éclair.
3. Faites passer la corde en zigzag toutes les deux bagues en v autour du trampoline dans la direction opposée à la fermeture éclair.
4. Lorsque vous avez terminé et atteint l'autre côté de la fermeture éclair, fixez l'autre bout de la corde en faisant un nœud dans la bague en v la plus proche de ce côté-là.



Votre filet de sécurité de trampoline est complètement fixé. Suivez les consignes de sécurité dans 'Testez le Trampoline' avant l'utilisation.

Placez l'étiquette de sécurité ici



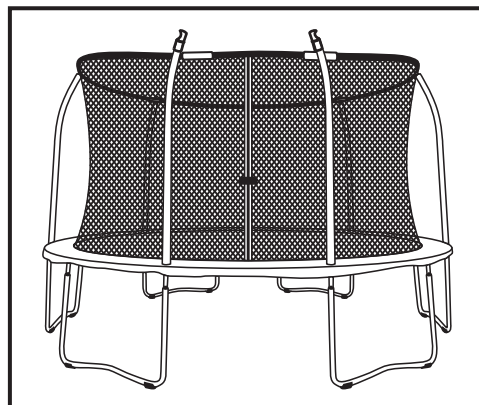
Votre trampoline Upper Bounce est maintenant monté et prêt à être utilisé.

Prenez soin d'attacher l'étiquette de sécurité à l'emplacement prévu à cet effet dans le filet d'enceinte et les coussins de protection. Les étiquettes doivent être placées à l'entrée du trampoline pour éviter un mauvais usage.

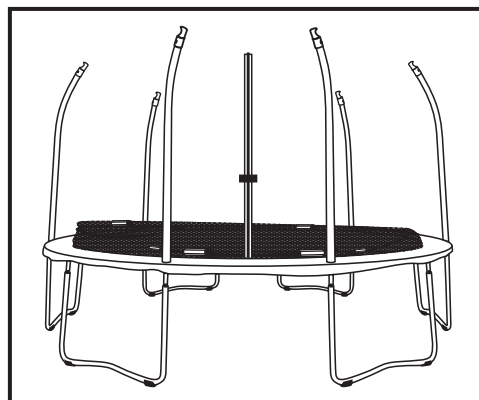
STOCKAGE DU TRAMPOLINE EN HIVER

Le trampoline Upper Bounce est spécialement conçu pour un montage et démontage ultra simple de l'enceinte. Protégez votre enceinte lorsqu'elle n'est pas utilisée pendant de longues périodes comme en hiver en la démontant. Voici les instructions pour la démonter. A noter : il est question d'une bâche qui n'est pas comprise dans l'achat du trampoline mais que l'on peut se procurer séparément.

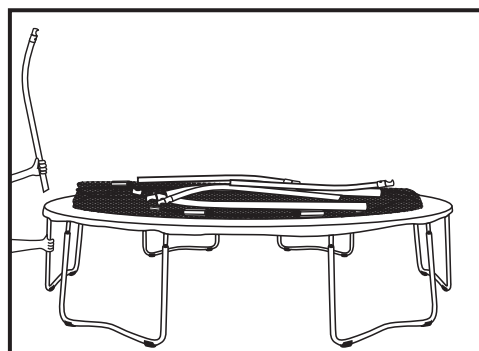
- 1.** Faire glisser le cercle de tiges en fibre de verre à l'extérieur des capuchons en haut de chaque poteau de soutien.



- 2.** Posez tout le filet et le cercle de tiges sur la toile du trampoline.



- 3.** Otez tous les poteaux de soutien du cadre du trampoline et déposez-les aussi sur la toile du trampoline.



- 4.** Recouvrez le trampoline et tous les accessoires avec une bâche contre les intempéries (non comprise dans l'achat et qui peut être achetée séparément.)



Après avoir assemblé le trampoline, il est important de procéder aux vérifications suivantes :

Contrôles de sécurité du trampoline :

- A l'aide d'un tournevis, vérifiez que toutes les vis sont serrées fermement.
- Regardez sous le trampoline, assurez-vous que tous les ressorts sont accrochés entre le cadre et les bagues en triangle.
- Faites bouger le trampoline de tous les côtés et vérifiez la solidité du cadre.
- Mettez tout le poids du corps à l'aide de vos deux mains sur une partie du trampoline puis relâchez pour voir si le sol est plat.
- Inspectez les coussins de protection et vérifiez qu'ils recouvrent tous les éléments métalliques (les ressorts et le cadre).
- Soyez surs que les cordes des coussins de sécurité sont attachées fermement.

Vérifications du filet d'enceinte :

- Tenez le filet de protection et vérifiez que tous les poteaux sont solides en les secouant.
- Vérifiez que le filet de protection n'est pas déchiré sur les points de couture ou dans le tissu.
- Soyez certain que la fermeture éclair du filet d'enceinte et les crochets d'entrée fonctionnent comme il faut.
- Vérifiez que le filet d'enceinte de protection est bien attaché aux bagues en forme de triangle en essayant de le soulever à intervalles réguliers. Si vous détectez des espaces, resserrez la corde d'attache jusqu'à ce que l'espace disparaisse.

Après avoir passé tous les tests initiaux, il reste un dernier contrôle : une personne saute au centre du trampoline sans arrêt pendant 5 minutes. Si la structure est stable, votre trampoline a rempli toutes les consignes de sécurité.

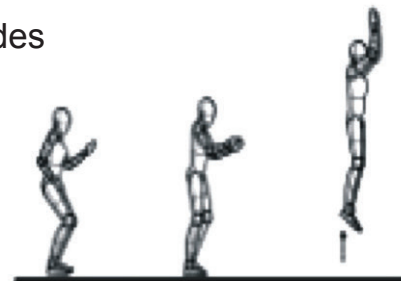
Félicitations, vous avez terminé le montage du trampoline ! N'oubliez pas de respecter les consignes de sécurité. Amusez-vous et ne prenez pas de risques...

TECHNIQUES DE SAUT DE TRAMPOLINE

Il est recommandé que tous les utilisateurs du trampoline se familiarisent avec les sauts de base. Faites des exercices jusqu'à la maîtrise totale des sauts.

Le saut de base

- Démarrez en position debout, les pieds écartés de la largeur des épaules, la tête droite et les yeux fixés sur la toile de saut.
- Elancez les bras en avant et vers le haut, au-dessus de votre tête en effectuant des mouvements circulaires.
- Une fois en l'air, resserrez les jambes et pointez les pieds vers le bas.
- Au moment d'atterrir sur le tapis, gardez les pieds écartés de la largeur de vos épaules.



Techniques de freinage

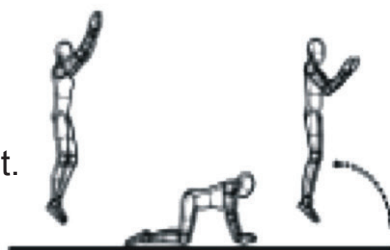
Il arrive que l'on perde contrôle du saut et que le rebond soit violent. En appliquant les techniques de freinage on peut retrouver le contrôle du saut et l'équilibre.

- Commencez par un saut de base
- En atterrissant, pliez les genoux fermement : cela provoque l'arrêt du saut.



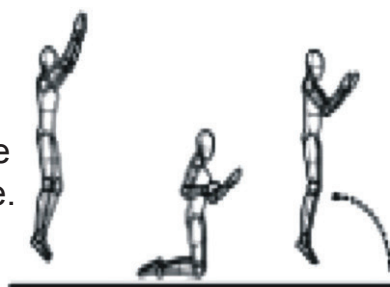
Le saut sur les mains et les genoux

- Commencez par un saut de base de faible amplitude.
- Atterrissez sur les mains et les genoux, en gardant le dos droit.
- Mettez l'accent sur une bonne position d'atterrissage sur 4 points et non pas sur la hauteur du saut.



Le saut sur les genoux

- Commencez par un saut de base de faible amplitude
- Atterrissez sur les genoux en gardant le dos droit et une ferme position du corps en tendant les bras pour maintenir l'équilibre.
- Rebondissez en position de base en lançant les bras vers le haut.







Le saut assis

- Atterrissez en position assise
- Placez les mains sur le tapis de chaque côté des hanches
- Poussez sur les mains pour revenir en position debout.



LISTE DES ACCESSOIRES DE RECHANGE

Pour remplacer un élément du trampoline recherchez la pièce de rechange dans la liste des accessoires Upper Bounce :

SIZE	TOILE DE SAUT		COUSSINS DE PROTECTION		FILETS DE				HOUSSES DE PROTECTION	
	Exemple UBMAT-7.5 (taille de l'enceinte) -42 (quantité de ressorts) -5.5 (taille des ressorts)		Exemple UBPAD-S (Super) -7.5 (taille de l'enceinte)-B (Bleu) / P (Premium) / G (Vert) / BG (Bleu Vert)		Types d'attaches pour filet (à l'extérieur) Exemple : UBNET 7.5 (taille de l'enceinte) -6 (quantité des poteaux)-IS		Manchons sur le haut du filet (Arche) Exemple : UBNET 7 (taille de l'enceinte) -3 (quantités d'arches) AST UBNET-6-3-AST		Types de poteaux incurvés Exemple : UBNET-8FG (Taille de l'enceinte) -6 (quantité de poteaux)	Noir Exemple : UBWC-12 (taille de l'enceinte) -BK (Noir)
SIZE 6										
SIZE 7					UBNET-7.5-6-IS	UBNET-7.5-6-OS	UBNET-7.3-AST			
SIZE 7.5		UBMAT-7.5-42-5.5	UBPAD-S-7.5-B						UBWC-7.5	
SIZE 8		UBMAT-8-48-5.5 UBMAT-8-56-5.5 UBMAT-8-60-5.5	UBPAD-S-8-B		UBNET-8-6-IS UBNET-8-4-IS		UBNET-8-2-AST	UBNET-8FG-6	UBWC-8	
SIZE 10		UBMAT-10-56-5.5 UBMAT-10-64-5.5	UBPAD-S-10-B		UBNET-10-4-IS UBNET-10-6-IS UBNET-10-8-IS	UBNET-10-8-OS			UBWC-10	
SIZE 11		UBMAT-11-60-5.5 UBMAT-11-72-5.5					UBNET-11-3-AST	UBNET-11FG-6	UBWC-11	
SIZE 12		UBMAT-12-60-7 UBMAT-12-72-5.5 UBMAT-12-72-7 UBMAT-12-80-5.5	UBPAD-S-12-B UBPAD-S-12-G UBPAD-S-12-BG UBPAD-P-12-B		UBNET-12-8-IS UBNET-12-4-IS UBNET-12-6-IS	UBNET-12-4-OS UBNET-12-6-OS	UBNET-12-2-AST UBNET-12-3-AST UBNET-12-4-AST	UBNET-12FG-4 UBNET-12FG-6	UBWC-12-BK	UBWC-12-BL
SIZE 13		UBMAT-13-72-5.5 UBMAT-13-80-5.5 UBMAT-13-80-7	UBPAD-S-13-B		UBNET-13-6-IS UBNET-13-8-IS	UBNET-13-6-OS UBNET-13-8-OS	UBNET-13-2-ASTR UBNET-13-3-AST UBNET-13-4-AST	UBNET-13FG-6	UBWC-13	
SIZE 14		UBMAT-14-72-5.5 UBMAT-14-72-7 UBMAT-14-80-5.5 UBMAT-14-80-7 UBMAT-14-84-7	UBPAD-S-14-B UBPAD-S-14-G UBPAD-S-14-BG UBPAD-P-14-B		UBNET-14-4-IS UBNET-14-6-IS UBNET-14-8-IS	UBNET-14-6-OS UBNET-14-8-OS	UBNET-14-3-AST UBNET-14-4-AST	UBNET-14FG-4 UBNET-14FG-6	UBWC-14-BK	UBWC-14-BL
SIZE 15		UBMAT-15-84-6.5 UBMAT-15-90-7 UBMAT-15-96-7	UBPAD-S-15-B UBPAD-S-15-G UBPAD-S-15-BG UBPAD-P-15-B		UBNET-15-6-IS UBNET-15-8-IS	UBNET-15-6-OS UBNET-15-8-OS	UBNET-15-3-AST UBNET-15-4-AST	UBNET-15FG-5 UBNET-15FG-6 UBNET-15FG-8	UBWC-15-BK	UBWC-15-BL
SIZE 16		UBMAT-16-108-7.5	UBPAD-S-16-B		UBNET-16-6-IS				UBWC-16	
SIZE 17								UBNET-17FG-8		
		AUTRES SORTIE		Coussins de protection carrés		Filet ovale		Filet type universel		
	Toile carrée	UBMATSQ-13	UBPADSQ-13	UBNETSQ-1313-4	UBNETO-1614 UBNETO-1715		UBNET-U1 UBNET-U2			
	Toile ovale	UBMATO-1614-96-7 UBMATO-1715-96-7								
	Toile avec courroies	UB-BMAT-1273 UB-BMAT-1378 UB-BMAT-1484 UB-BMAT-1590								

Autres Accessoires

Echelle	UBL3S-42-G
Echelle avec marches plates	UBLBFS3-42
Range-chaussures	UBSHB-3
Kit d'ancrage pour trampoline- Set de 4	UBHWD-AK-4
Kit d'ancrage de fixation avec vrille –Set de 4	UBHWD-AKB-4
Outil de tension des ressorts (crochet en forme de T)	UBHWD-TH
Skate Upper Bounce pour sauter	UB-TJB



Pour voir toutes les pièces du trampoline :
Feuilletez notre guide d'achat :
www.upperbounce.com/buyingguide



Pour échanger un article :
<http://www.upperbounce.com/exchange>

Recevez

15% de réduction

sur tout achat de pièce de
rechange effectué chez nous

CODE: 15OFFMANUAL



Vous avez d'autres questions ?

Nous fournissons non seulement une grande variété de trampolines mais nous sommes aussi fiers de notre large sélection de pièces de rechange adaptables à toutes les marques de trampoline.

Si vous avez des difficultés à trouver des pièces de rechange pour votre trampoline, envoyez-nous un email à sales@upperbounce.com

Pour ce qui concerne la garantie, envoyez un email à support@upperbounce.com
Ou téléphonez au **1888-965-3331**

Notre équipe du service clientèle a été spécialement formée pour vous aider à trouver la pièce exacte qui vous permettra de bondir à nouveau.

Nous n'oublions jamais notre but... **Faites confiance à Upper Bounce !**