

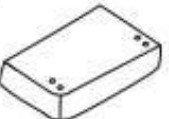




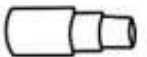
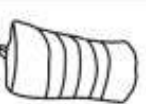







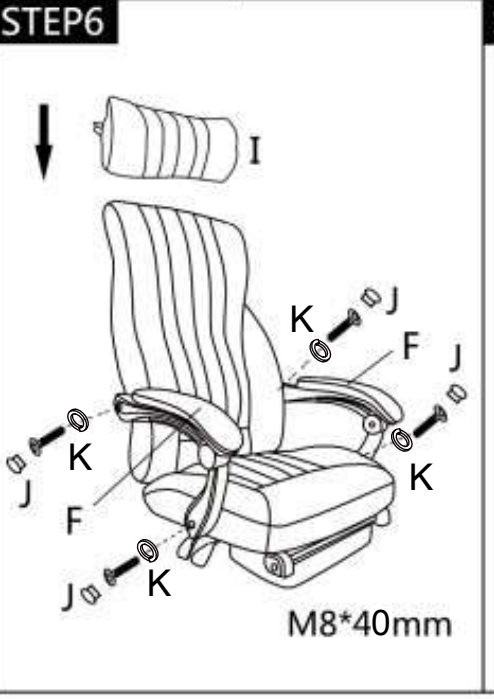
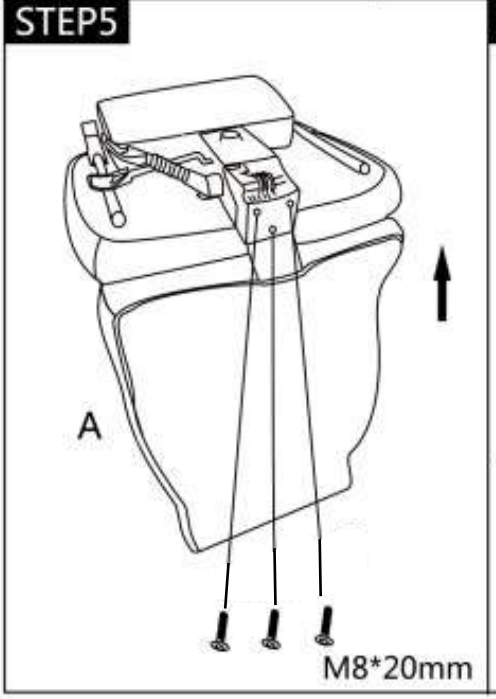
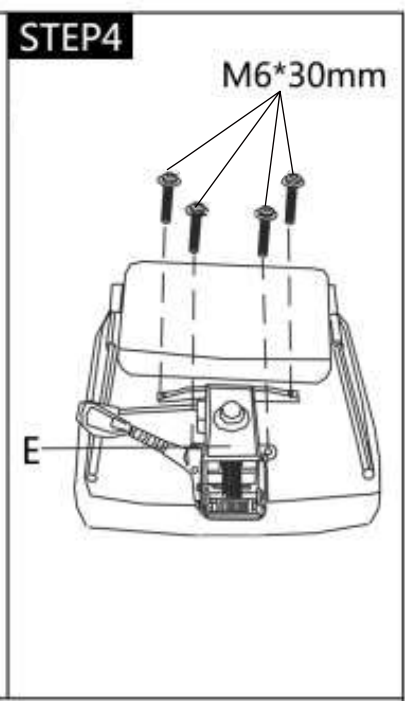
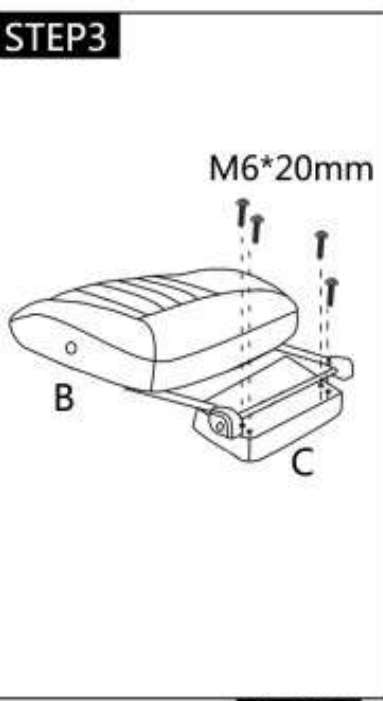
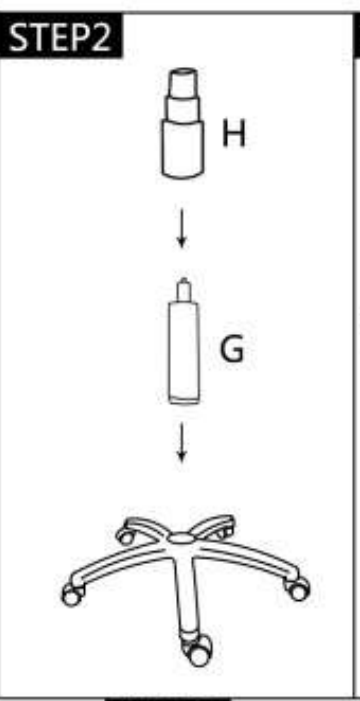
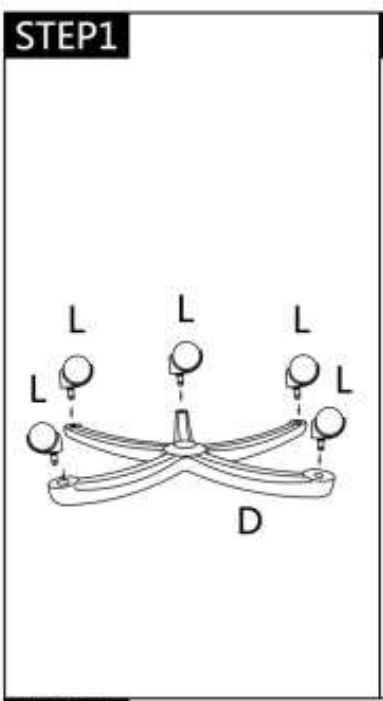


Assembly Instructions

A  ×1	B  ×1
C  ×1	D  ×1
E  ×1	F  ×1
G  ×1	H  ×1
I  ×1	J PLASTIC CAP×4
K  ×4	L  ×5
M6*20mm 4PC 	M6*30mm 4PC 
M8*20mm 3PC 	M8*40mm 4PC 
	



P/N:Z1003017C03