

Ph 07 3277 2277

Fax 07 3277 2288

Email [sales@selectgear.com.au](mailto:sales@selectgear.com.au)

## RETRACTABLE LAP ONLY BELT

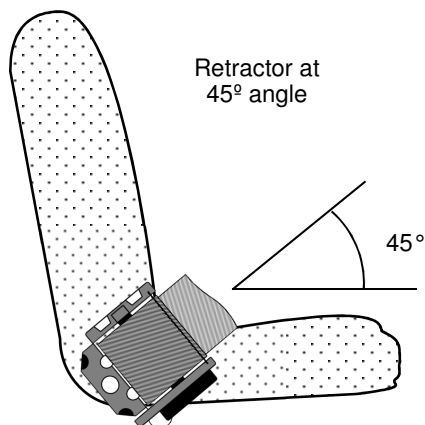
Retractable lap only seat belts are suitable for forklifts, ride-on machinery, earthmoving and mining equipment and other vehicle applications where a pillar is not readily available for retractor mounting.

All retractable lap only seat belts are made such that the retractor is mounted to the seat on either the right hip side or the left hip side. The mounting face of the belt must always remain at a 90° angle to the floor of the vehicle, i.e. the face must be vertical. It is important that the seat is adequately secured or tethered to the vehicle.

The belts should be fitted to the side of the seat such that the drum of the retractor is facing outwards. A plastic retractor cover is supplied to protect the device.

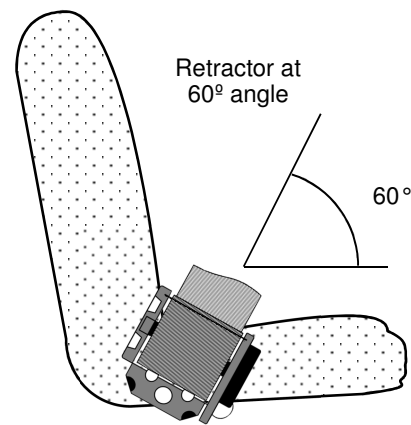
The belts are available in either at 45° angle or a 60° angle for both sides of the seat.

**DIAGRAM 1**



**Lap Only Belt at 45° on Right Hip**

**DIAGRAM 2**



**Lap Only Belt at 60° on Right Hip**

The same is available for left hip placement. Please note that the mounting side must be specified.

Generally, a 45° angle belt is used when it is mounted high and back near the hinge of the seat (refer Diagram 1). A 60° angle belt is used when the retractor needs to be mounted low and forward of the hinge of the seat (refer Diagram 2).

Standard belt length - 1.8 metres

### **Buckles are either**

Stalk (cable) mounted on the side of the transmission tunnel (vertical surface) (220mm, 250mm, 300mm, 350mm, 400mm, 450mm)

Stalk (cable) mounted flat on the floor (horizontal surface) (see Diagram 1 on previous page) (250mm, 300mm, 350mm, 400mm. Specify RH side or LH side of vehicle)

Stem (steel plate) mounted on the seat or other vertical bracket (100mm, 135mm, 170mm, 210mm)

Webbing Fixed Length mounted on tunnel, floor or seat (190mm, 275mm, 425mm, 500mm)

Webbing Adjustable - Standard (150mm - 610mm) Long (150mm - 950mm)

Buckles are measured in millimetres from the end of the buckle head (red release button) to the centre of the mounting hole of the anchor plate of the buckle.