

SPECIFICATIONS

OJAI

Fireclay Farmhouse Sink

- BO-FC24S-00BM (BLACK MATTE)
- BO-FC24S-00GM (GREY MATTE)
- BO-FC24S-00WG (WHITE GLOSS)

PRODUCT DETAILS

- 24" x 18" x 10" OD
- 22 1/2" x 16 1/2" x 9" ID
- Ø 3 3/4" drain opening
- Net Weight: 60 lbs
- Handcrafted from Fine Fireclay
- Single Bowl
- Apron Front

INSTALLATION

- Undermount
- Apron-front visible or concealed apron

STANDARDS COMPLIANCE

- UPC/cUPC compliant

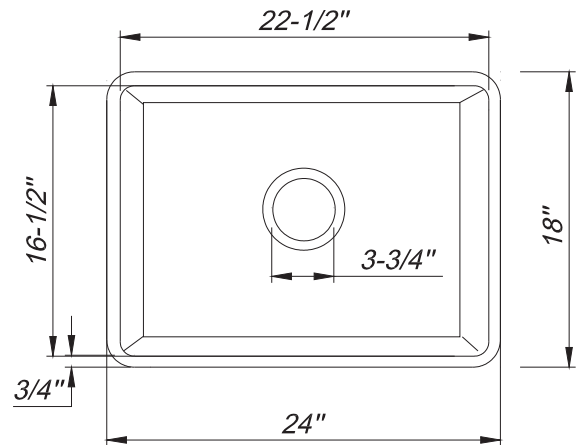
IMPORTANT

Due to the handcrafted nature of this product, it will vary in finish, texture, and other details. Please see proper care instructions.

Dimensions may vary up to 1/4".



TOP VIEW



SIDE VIEW

