

## SPECIFICATIONS

### MONTANA

Concrete Bar Sink

BO-CC18S-00-DG (DARK GREY)

BO-CC18S-00-G (GREY)

BO-CC18S-00-N (NATURAL)

#### PRODUCT DETAILS

- 18" x 18" x 10 1/4"
- Ø 3 1/2" drain opening
- Net Weight: 86 lbs
- Gross Weight: 95 lbs
- Sealed with impermeable sealer
- Handcrafted from concrete

#### INSTALLATION

- Undermount
- Apron Front

#### STANDARDS COMPLIANCE

- UPC/cUPC compliant

#### IMPORTANT

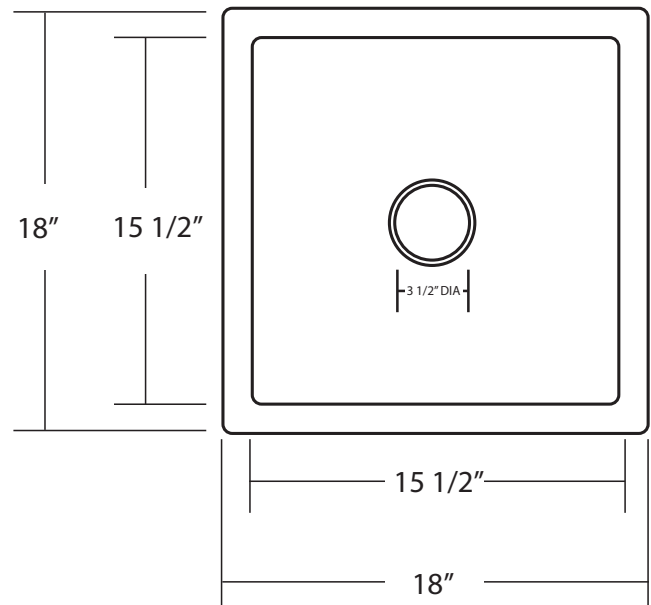
Do NOT use tape or other adhesives on concrete surface as it may remove the sealer. Please see proper care instructions.

Due to the handcrafted nature of this product, it will vary in finish, texture, hammering, and other details. Dimensions may vary up to 1/4".

We strongly recommend waiting for the actual product before making any installation cuts.



TOP VIEW



FRONT VIEW

