

## SPECIFICATIONS

### VENTURA

#### Concrete Bathroom Sink

BO-CC24S-LV-DG (DARK GREY)

BO-CC24S-LV-G (GREY)

BO-CC24S-LV-N (NATURAL)

#### PRODUCT DETAILS

- 23 1/2" x 16" x 4"
- $\varnothing$  1 7/8" drain opening
- Weight: 23 lbs
- Sealed with impermeable sealer
- Handcrafted from concrete

#### INSTALLATION

- Vessel

#### STANDARDS COMPLIANCE

- UPC/cUPC compliant

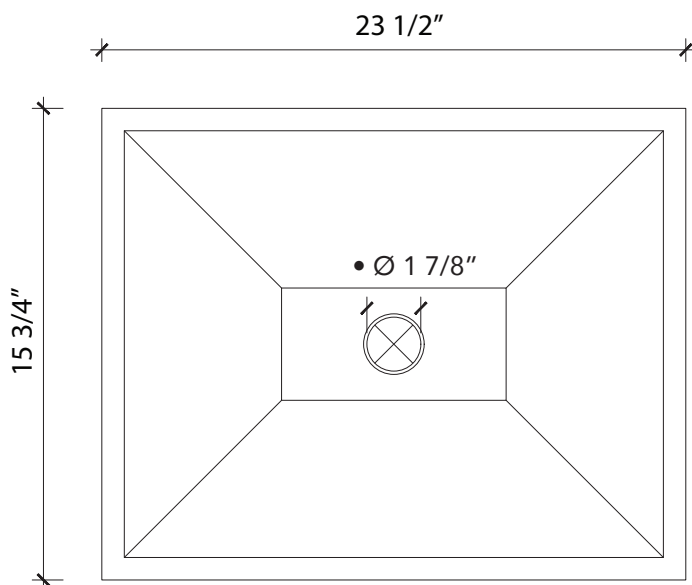
#### IMPORTANT

Do NOT use tape or other adhesives on concrete surface as it may remove the sealer. Please see proper care instructions.

Due to the handcrafted nature of this product, it will vary in finish, texture, hammering, and other details. Dimensions may vary up to 1/4".



TOP VIEW



SIDE VIEW

