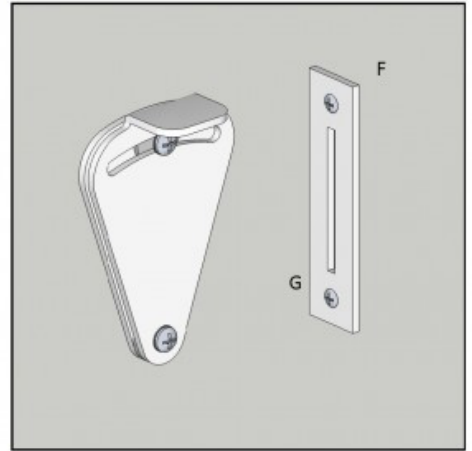
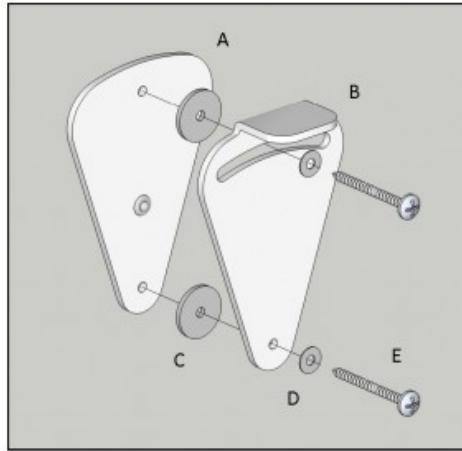


Teardrop Privacy Lock

Mounts to door or door jamb for privacy on sliding doors. May also be used on pocket door jambs. Reversible handing. Wood screws included for mounting to wooden surfaces.

For emergency access, slide a thin card such as a credit card upward to release the lock. **WARNING:** if used on a pocket door, a 1/8" diameter through-hole must be drilled behind the strike plate so that an object such as a paper clip can release the lock.



Tools Needed:

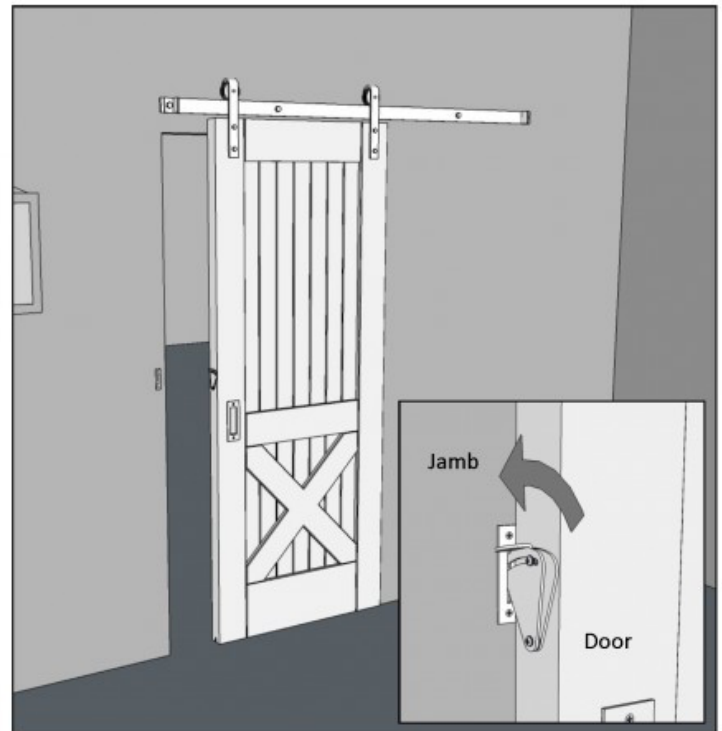
Cordless Drill
Drill bits (1/16", 1/8", and 5/16")
Spade bit (1/4")
Philips screwdriver (#1 and #2)
Chisel

- A) Back plate (1x)
- B) Front plate (1x)
- C) 11/16" dia. washer (2x)
- D) 3/8" dia. washer (2x)
- E) #8 x 1-1/4" screw (2x)

- F) Strike plate (1x)
- G) #4 x 3/4" screw (2x)



Teardrop mounted on Jamb



Teardrop mounted on Door edge