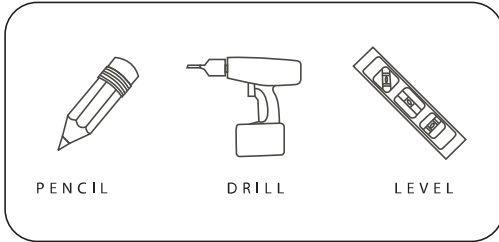
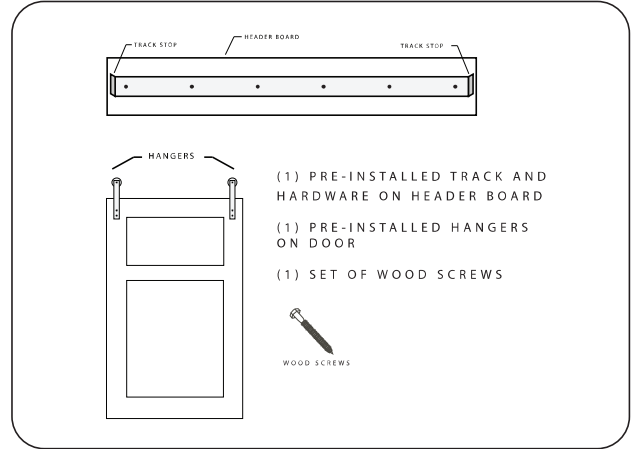


TOOLS NEEDED:

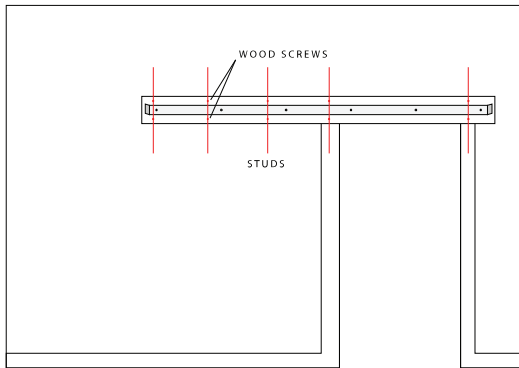


WHAT'S INCLUDED:



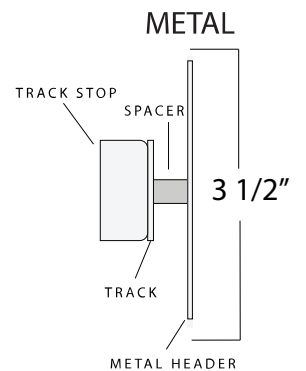
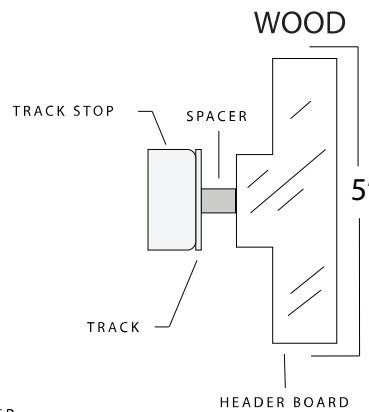
STEP-BY-STEP INSTRUCTIONS

1

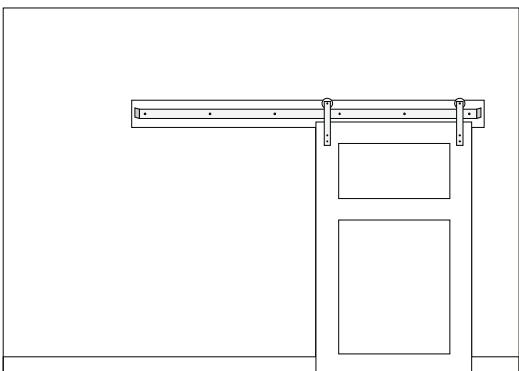


1. FIND AND MARK STUDS ON WALL
2. MEASURE STUD LOCATIONS AND MARK DRILL POINTS ON HEADER
3. DRILL 2 HOLES IN HEADER ABOVE AND BELOW TRACK PER STUD
4. SCREW HEADER IN PLACE WITH PROVIDED SCREWS

SIDE VIEW



2



1. PLACE DOOR ON TRACK

DOOR CLOSE UP

