

BRUSHES AND SPONGES | DRYING SOLUTION USER GUIDE



SCAN THIS CODE
FOR A SIMPLE INSTALLING VIDEO TUTORIAL

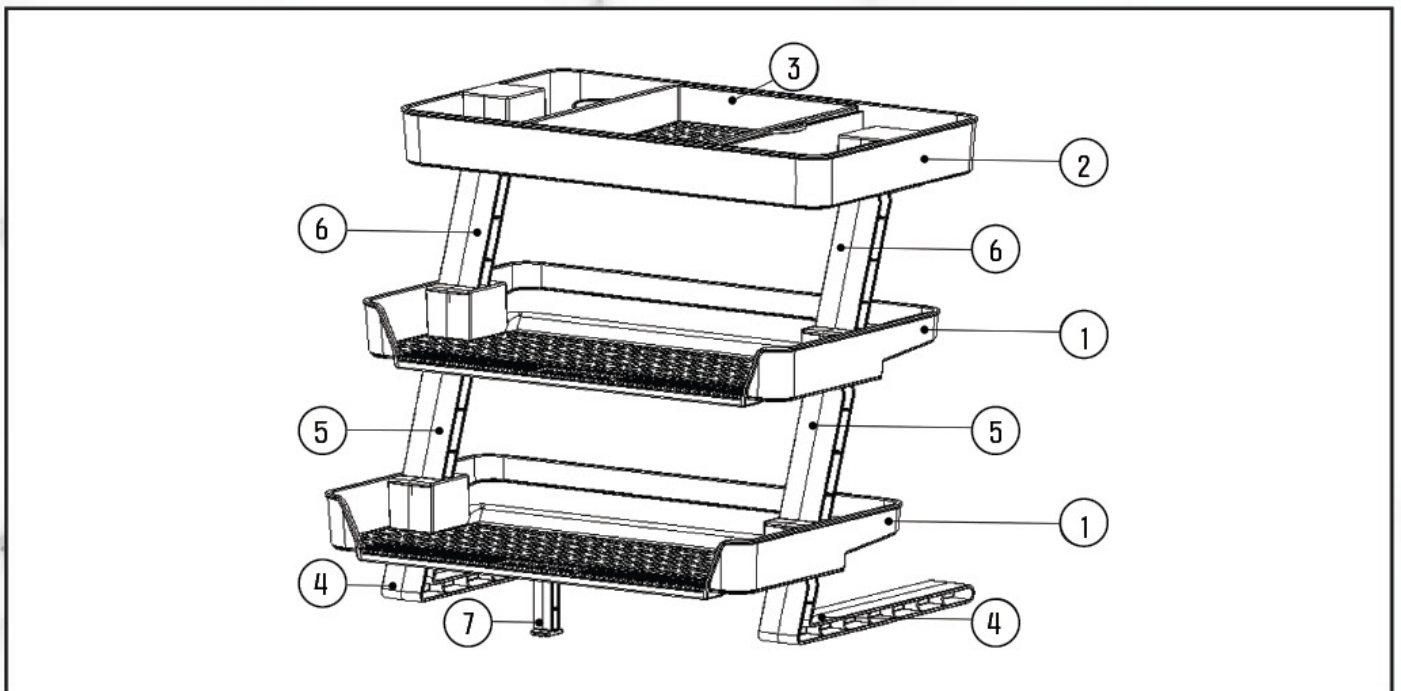
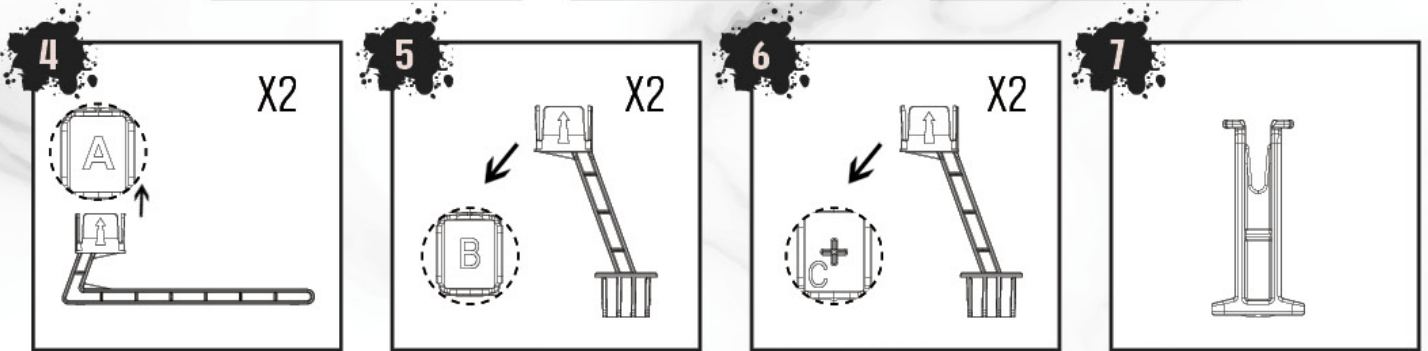
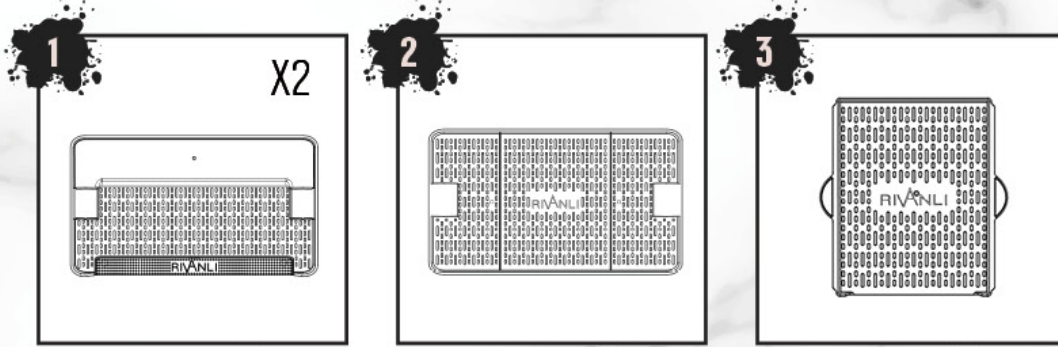


RIVANLI

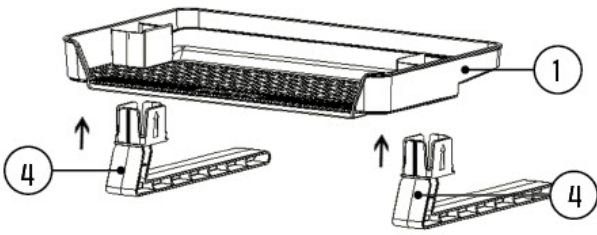
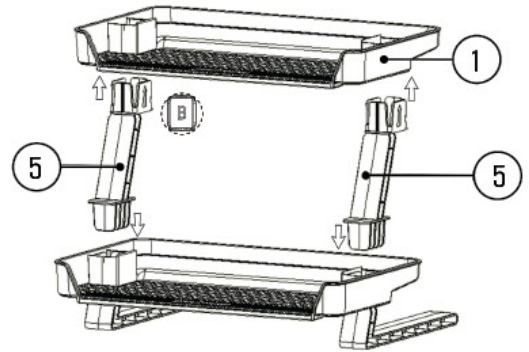
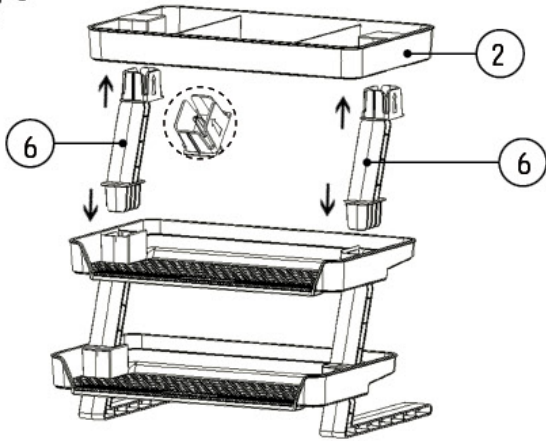
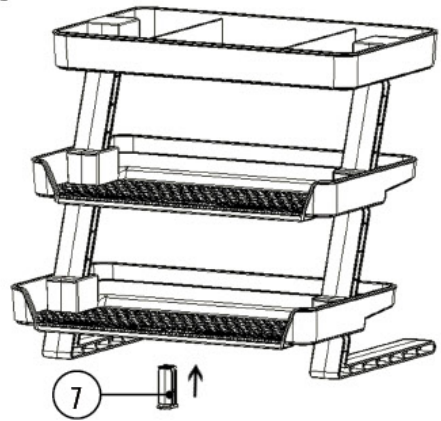
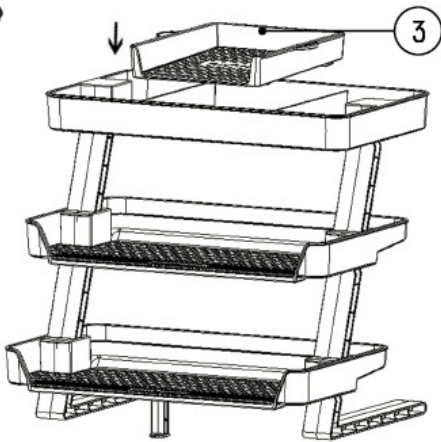
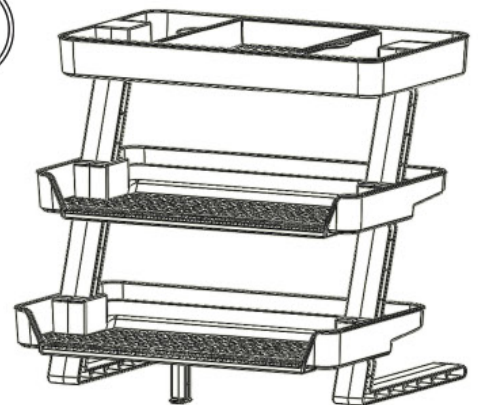


SCAN THIS CODE
FOR A SIMPLE INSTALLING VIDEO TUTORIAL

PARTS INCLUDED



RIVANLI

A**B****C****D****E****F**

RIVANLI

HERE ARE SOME TIPS TO MAKE THE MOST OUT OF YOUR RIVANLI DRYING SOLUTION

- DON'T USE TOO MUCH PRESSURE WHEN INSTALLING AND UNINSTALLING THE RACK, THE PARTS SHOULD SLIDE EASILY IN AND OUT.
- BEFORE PLACING THE WET BRUSHES AND SPONGES ON TOP OF THE TRAYS, GIVE THEM A GOOD SQUEEZE.
- USE THE RACK FOR ITS PURPOSE ONLY. DON'T PLACE ANY HEAVY OBJECTS ON THE TRAYS.
- KEEP THE RACK AWAY OF A DIRECT SUNLIGHT, AND OTHER HEAT SOURCES.
- TO CLEAN THE TRAYS, USE A MOIST SOFT CLOTH AND FOLLOW WITH A DRY ONE.

MAXIMUM WEIGHTS:

TOP TRAY: 0.5 LBS/ 226 GR

MID AND LOWER TRAYS: 1 LBS/ 453GR

VISIT OUR WEBSITE TO FIND MORE INFO AND EXTRA "HOW TO" TUTORIALS.

WWW.RIVANLI.COM

Enjoy your Rivanli!
QUICK. EASY. CLEAN

LOVE YOUR NEW DRYING SOLUTION?

SHARE WITH US YOUR RIVANLI EXPERIENCE FOR A CHANCE TO BE FEATURED!

@RIVANLI_SHOP #RIVANLI #RIVANLI_DRYING_RACK

HAVE SOMETHING TO TELL US?

E-MAIL US: CUSTOMER_SERVICE@RIVANLI.COM



RIVANLI