

The 970A Series Snubber Capacitors were designed for AC applications such as motor start, motor run, fluorescent lamp ballast and other commercial applications. A wide range of rectangular epoxy case sizes are available with quick disconnect terminals. Wrap and fill designs are also available on special order.

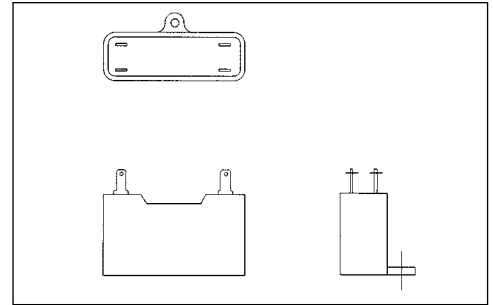
Extended metallized polypropylene is used as the dielectric material.

Electrocube recognizes and supports the circuit design needs for specific

mounting configurations, voltages and capacitances for capacitor models not shown. Special designs can be manufactured to meet any existing or future requirement.

For specific information on your product needs, contact your local sales representative or Electrocube directly.

The potting material and epoxy endfills of Electrocube's capacitors meet or exceed the flammability requirements of UL94V0.



Dimensional variations for all MFD values are available with the same volume to meet your design requirements.

SPECIFICATIONS

Capacitance Tolerance: $\pm 10\%$

Temperature: -55°C to $+70^{\circ}\text{C}$ at rated voltage

Dielectric Voltage Test: Will withstand the application of 175% rated DC voltage for a period not to exceed 1 minute at 25°C ; current limited to 5 mA.

DC Life Test: Will withstand the application of 125% rated VDC at 85°C for 1000 hours, with not more than 1 failure in 12 permitted; current limited to 5 mA

Dissipation Factor: Shall not exceed .20% at 25°C .

Acceptance Criteria: Measurement frequency for capacitance and dissipation factor shall be 120 Hz.

Insulation Resistance: At rated voltage or 500V, whichever is less, units shall meet the minimum values below:

TEMP. ($^{\circ}\text{C}$)	MEG \times MFDS
25	1.0K

Terminals: 1/4" Quick Disconnect terminals

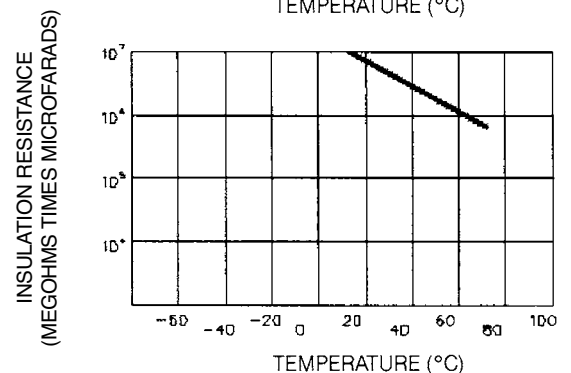
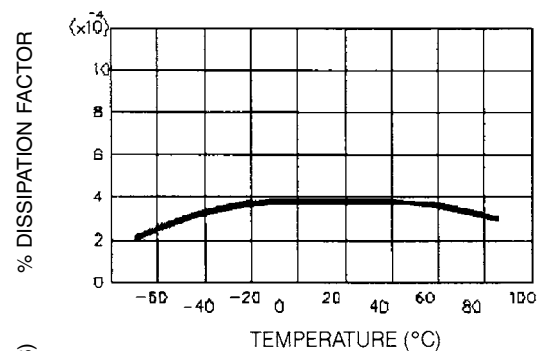
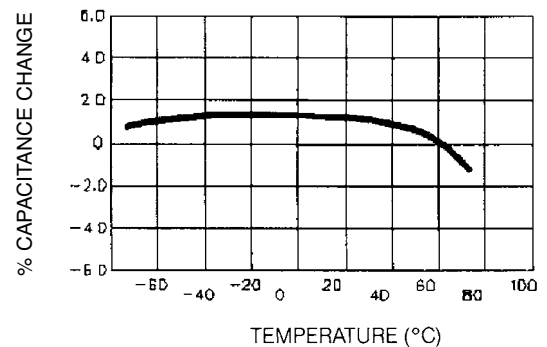
NOTES:

For information regarding insulating sleeves, mountings, special terminals, non-standard leads, circuit connections and other hardware, please consult factory.

For styles and ratings not shown, or for unusual requirements necessitated by special circuit applications (including higher IR or lower DF), consult the factory direct.

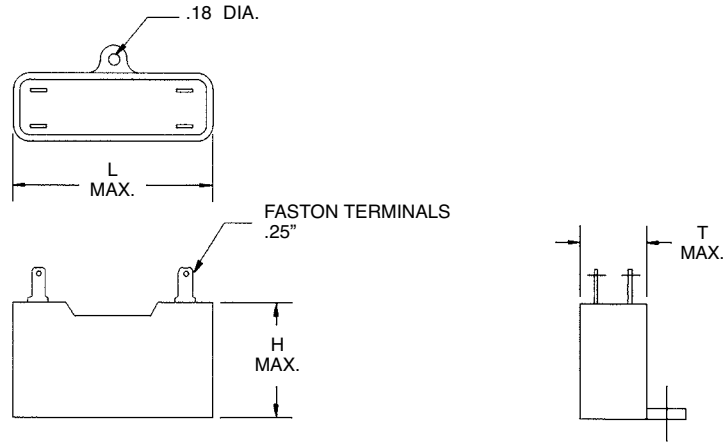
The 970A Series film capacitors have epoxy fill and enclosures that meet or exceed the flammability requirements of UL94V0.

TYPICAL DIELECTRIC CHARACTERISTIC CURVES



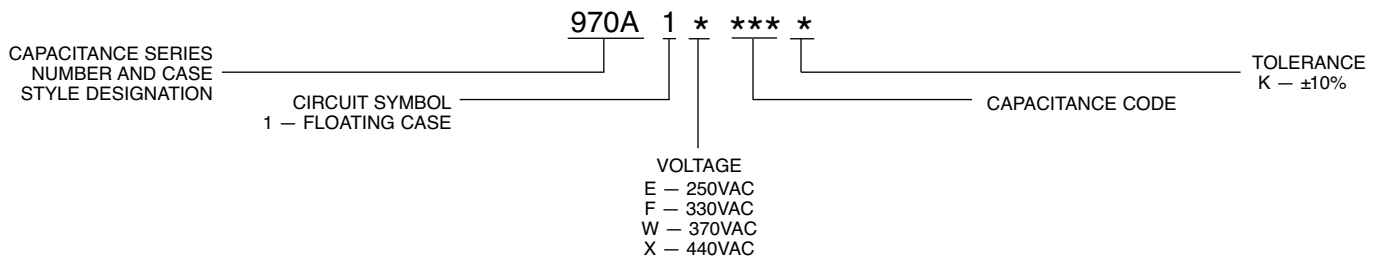


**METALLIZED POLYPROPYLENE
PLASTIC CASE, QUICK DISCONNECT CAPACITORS
970A SERIES**



		250VAC				330VAC				370VAC				440VAC			
		DIMENSIONS				DIMENSIONS				DIMENSIONS				DIMENSIONS			
MFD	CAP CODE	L	H	T	D	L	H	T	D	L	H	T	D	L	H	T	D
1.0	105	1.26	.91	.51	.18	1.26	.91	.51	.18	1.50	.87	.51	.18	1.50	.87	.51	.18
1.5	155	1.26	.91	.51	.18	1.50	.91	.55	.18	1.46	1.06	.59	.18	1.46	1.06	.59	.18
2.0	205	1.26	.91	.51	.18	1.50	.98	.59	.18	1.50	1.10	.71	.18	1.50	1.10	.71	.18
2.5	255	1.50	.87	.51	.18	1.50	1.10	.71	.18	1.50	1.18	.79	.18	1.50	1.18	.79	.18
3.0	305	1.50	.87	.51	.18	1.50	1.18	.79	.18	1.50	1.26	.91	.18	1.50	1.26	.91	.18
3.5	355	1.50	.91	.55	.18	1.50	1.26	.91	.18	1.89	1.18	.79	.18	1.89	1.18	.79	.18
4.0	405	1.50	1.06	.59	.18	1.89	1.18	.79	.18	1.89	1.26	.91	.18	1.89	1.26	.91	.18
5.0	505	1.50	1.02	.63	.18	1.89	1.18	.79	.18	1.89	1.46	1.02	.18	1.89	1.46	1.02	.18
6.0	605	1.50	1.10	.71	.18	1.89	1.26	.91	.18	2.01	1.58	1.18	.18	2.01	1.58	1.18	-
7.0	705	1.50	1.18	.79	.18	1.89	1.46	1.02	.18	2.01	1.58	1.18	.18	2.01	1.58	1.18	-
8.0	805	1.50	1.18	.79	.18	1.89	1.46	1.02	.18	2.01	1.58	1.18	.18	2.01	1.58	1.18	-
9.0	905	1.89	1.18	.79	.18	2.01	1.58	1.18	.18	2.28	1.58	1.18	.18	2.28	1.58	1.18	-
10.0	106	1.89	1.26	.91	.18	2.01	1.58	1.18	.18	-	-	-	-	-	-	-	-
12.0	126	1.89	1.46	1.02	.18	2.28	1.58	1.18	.18	-	-	-	-	-	-	-	-
15.0	156	1.89	1.46	1.02	.18	-	-	-	-	-	-	-	-	-	-	-	-
20.0	206	2.01	1.58	1.18	.18	-	-	-	-	-	-	-	-	-	-	-	-

ORDERING INFORMATION



The 971A Series Snubber Capacitors were designed for AC applications such as motor start, motor run, fluorescent lamp ballast and other commercial applications. A wide range of rectangular epoxy case sizes are available with quick disconnect terminals. Wrap and fill designs are also available on special order.

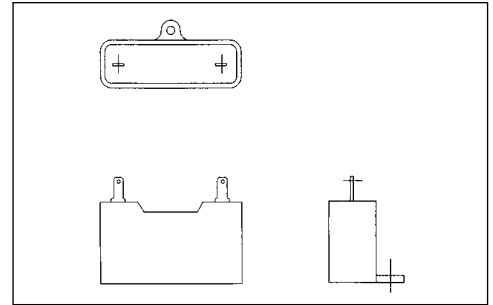
Extended metallized polypropylene is used as the dielectric material.

Electrocube recognizes and supports the circuit design needs for specific

mounting configurations, voltages and capacitances for capacitor models not shown. Special designs can be manufactured to meet any existing or future requirement.

For specific information on your product needs, contact your local sales representative or Electrocube directly.

The potting material and epoxy endfills of Electrocube's capacitors meet or exceed the flammability requirements of UL94V0.



Dimensional variations for all MFD values are available with the same volume to meet your design requirements.

SPECIFICATIONS

Capacitance Tolerance: $\pm 10\%$

Temperature: -55°C to $+70^{\circ}\text{C}$ at rated voltage

Dielectric Voltage Test: Will withstand the application of 175% rated DC voltage for a period not to exceed 1 minute at 25°C ; current limited to 5 mA.

DC Life Test: Will withstand the application of 125% rated VDC at 85°C for 1000 hours, with not more than 1 failure in 12 permitted; current limited to 5 mA

Dissipation Factor: Shall not exceed .20% at 25°C .

Acceptance Criteria: Measurement frequency for capacitance and dissipation factor shall be 120 Hz.

Insulation Resistance: At rated voltage or 500V, whichever is less, units shall meet the minimum values below:

TEMP. ($^{\circ}\text{C}$)	MEG \times MFDS
25	1.0K

Terminals: 1/4" Quick Disconnect terminals

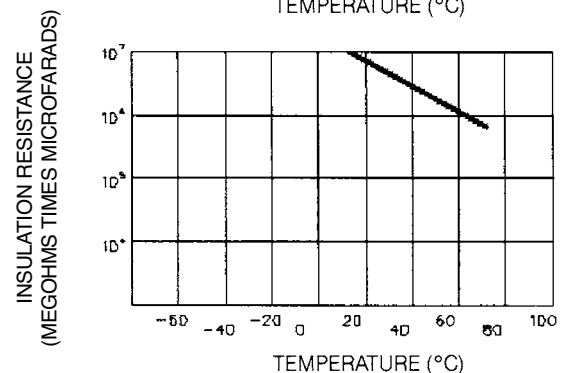
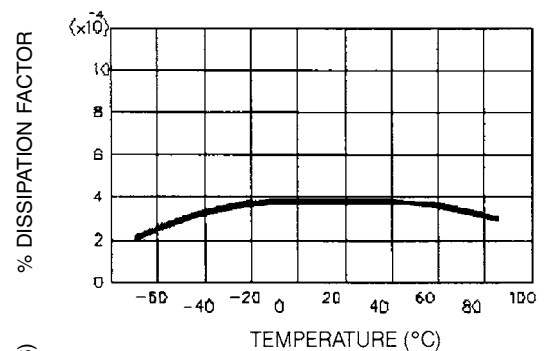
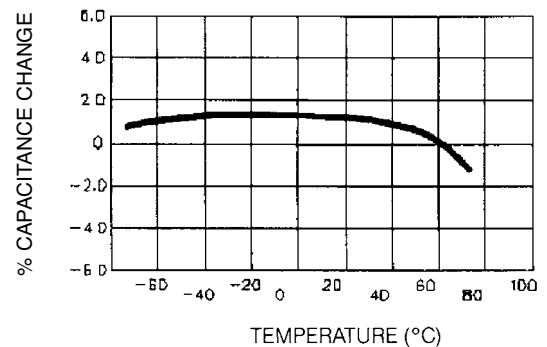
NOTES:

For information regarding insulating sleeves, mountings, special terminals, non-standard leads, circuit connections and other hardware, please consult factory.

For styles and ratings not shown, or for unusual requirements necessitated by special circuit applications (including higher IR or lower DF), consult the factory direct.

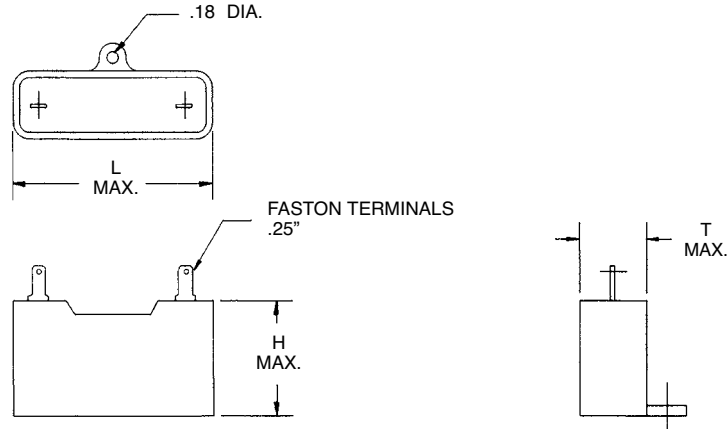
The 971A Series film capacitors have epoxy fill and enclosures that meet or exceed the flammability requirements of UL94V0.

TYPICAL DIELECTRIC CHARACTERISTIC CURVES





**METALLIZED POLYPROPYLENE
PLASTIC CASE, QUICK DISCONNECT CAPACITORS
971A SERIES**



		250VAC				330VAC				370VAC				440VAC			
		DIMENSIONS				DIMENSIONS				DIMENSIONS				DIMENSIONS			
MFD	CAP CODE	L	H	T	D	L	H	T	D	L	H	T	D	L	H	T	D
1.0	105	1.26	.91	.51	.18	1.26	.91	.51	.18	1.50	.87	.51	.18	1.50	.87	.51	.18
1.5	155	1.26	.91	.51	.18	1.50	.91	.55	.18	1.46	1.06	.59	.18	1.46	1.06	.59	.18
2.0	205	1.26	.91	.51	.18	1.50	.98	.59	.18	1.50	1.10	.71	.18	1.50	1.10	.71	.18
2.5	255	1.50	.87	.51	.18	1.50	1.10	.71	.18	1.50	1.18	.79	.18	1.50	1.18	.79	.18
3.0	305	1.50	.87	.51	.18	1.50	1.18	.79	.18	1.50	1.26	.91	.18	1.50	1.26	.91	.18
3.5	355	1.50	.91	.55	.18	1.50	1.26	.91	.18	1.89	1.18	.79	.18	1.89	1.18	.79	.18
4.0	405	1.50	1.06	.59	.18	1.89	1.18	.79	.18	1.89	1.26	.91	.18	1.89	1.26	.91	.18
5.0	505	1.50	1.02	.63	.18	1.89	1.18	.79	.18	1.89	1.46	1.02	.18	1.89	1.46	1.02	.18
6.0	605	1.50	1.10	.71	.18	1.89	1.26	.91	.18	2.01	1.58	1.18	.18	2.01	1.58	1.18	-
7.0	705	1.50	1.18	.79	.18	1.89	1.46	1.02	.18	2.01	1.58	1.18	.18	2.01	1.58	1.18	-
8.0	805	1.50	1.18	.79	.18	1.89	1.46	1.02	.18	2.01	1.58	1.18	.18	2.01	1.58	1.18	-
9.0	905	1.89	1.18	.79	.18	2.01	1.58	1.18	.18	2.28	1.58	1.18	.18	2.28	1.58	1.18	-
10.0	106	1.89	1.26	.91	.18	2.01	1.58	1.18	.18	-	-	-	-	-	-	-	-
12.0	126	1.89	1.46	1.02	.18	2.28	1.58	1.18	.18	-	-	-	-	-	-	-	-
15.0	156	1.89	1.46	1.02	.18	-	-	-	-	-	-	-	-	-	-	-	-
20.0	206	2.01	1.58	1.18	.18	-	-	-	-	-	-	-	-	-	-	-	-

ORDERING INFORMATION

