

Guardian G1 Body Worn Camera

User Setup Manual



Table of Contents

Product Introduction	1
Product Specifications	2
Key Features	3
Key Feature Application	4
Camera Screen Layout	5
Menu Navigation	6
Menu Options	7
Menu Options	8
Menu Options	9
Menu Options	10
Menu Options	11
Menu Options	12
Finding your Files on Windows	13

Introduction to the Guardian G1

Product Precautions

Thank you for purchasing a guardian G1 body worn camera. We ask that you read through this booklet to help your understanding and safety when using this product.

- Keep this product away from fire
- Bodycamera.co.uk and Speak-IT are not responsible for any data breaches that may occur using this product
- Avoid submersing this product in water for long periods of time

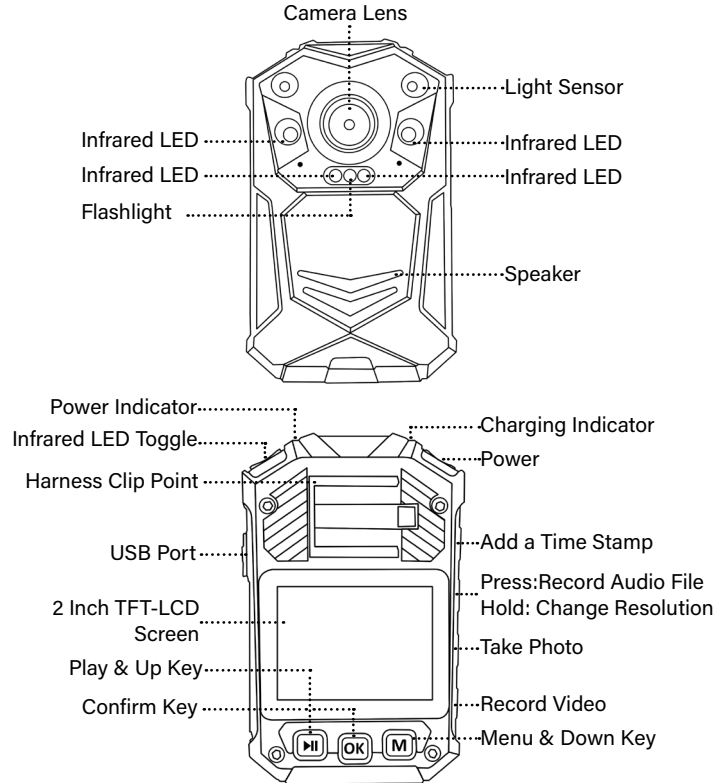
What's in the box

- Guardian G1 Body Camera
- Charging Dock
- USB Cable
- USB Adapter
- Chest Harness
- Shoulder Harness
- 360° Rotatable Clip
- Shoulder Clip
- User Manual

Product Specifications

Specification		
Video	Video Resolution (30fps)	2304*1296p, 1920*1080p, 1440*1080p, 1280*720p, 848*480p,720*480p
	Video Compression	H.265/MPEG4
Camera	Sensor	5MP CMOS
	Camera Resolution	32 Megapixels (MP) JPEG
	Camera Lens Angle	140° Wide Angle Lens
Dimensions	Device Dimensions	90mm x 55mm x 28mm (Height x Width x Depth)
	Screen Size	2 Inch TFT-LCD High Resolution Colour Display
Storage	Media Storage	128GB Internal Storage No External SD Card Capability
	Product Weight	175 Grams
Night Vision	Infrared LEDs	4 LEDs
	Infrared View Distance	10 Metres
Battery	Record Time	Up to 14 Hours
	Charge Time	4 Hours
Security	Password Protected	Yes
	Watermark	User ID, Time and Date
	Motion Detection	Auto/Manual

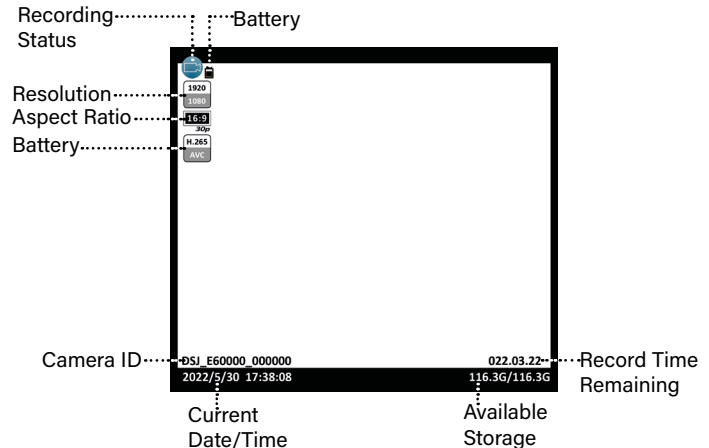
Key Features



Key Feature Application

Specification		Specification	
Camera Lens	High definition lens for image and video capture	Microphone Button	Press: Toggle audio recording Hold: Change video resolution
Light Sensor	Automatically turns on IR lights below a certain light level	Camera Button	Press to take a photo
Infrared LED	Records video in low light up to 10 metres	Video Recorder Button	Press to toggle video recording status
Flashlight	Provides additional bright white light	USB Port	Connects Camera to PC for file transfer
Speaker	Built-in Speaker	Infrared Light Button	Press: Toggle IR lighting Hold: Toggle Flashlight
Play/Up Key	Menu Mode: Press to scroll up Play Mode: Hold to zoom recording out or Press to rewind	Power Button	Power: Hold for 3 seconds to turn on device Menu Mode: Press to go back Standby Mode: Press to toggle dark mode
Confirm Key	Menu Mode: Press to make a selection Play mode: Press to pause/play video or audio file Standby mode: Press to review files	Status Indicator LED	Green: Powered and in standby mode Flashing Red: Camera is recording Flashing Yellow: Camera is recording audio only
Menu & Down Key	Menu Mode: Press to enter Menu Mode Press to Scroll down Play Mode: Hold to zoom in while recording Press to fast forward	Charging Indicator LED	Blue: Charging Green: Camera is powered
Star Button	Add a timestamp onto video/audio files to make a note of important events		

Camera Screen Layout



Menu Navigation

Entering the Menu:

1. Press the Menu button (M)
2. Enter the password using the following controls:
 - Press the Menu button (M) to move the digit to the next character
 - Press the play/pause button (▶||) to move the digit to the previous character.
 - Press the OK button to move to the next digit.
3. After selecting the last character, press OK to confirm the password.

PLEASE NOTE: the default password is 000 000.

Navigating the settings menu:

To select the next option, press the Menu button (M).

To select the previous option, press the play/pause button (▶||).

To confirm a selection, press the OK button.

To back out of a selection or menu, quick press the power button (⏻).

Menu Options

Resolution:

The resolution used for the video. Resolutions on the camera include:

- 2304x1296 30fps
- 1920x1080 30fps
- 1440x1080p 30fps
- 1280x720 60fps
- 1280x720 30fps
- 848x480 60fps
- 848x480 30fps
- 720x480 30fps

Megapixels:

- 32MP (7600X4275 16:9)
- 30MP (7304X4014 16:9)
- 28MP (7056X3968 16:9)
- 25MP (6664X3752 16:9)
- 23MP (6480X3648 16:9)
- 21MP (6144X3456 16:9)
- 20MP (5960X3352 16:9)
- 16MP (5336X3000 16:9)
- 12MP (4608X2592 16:9)
- 10MP (4384X2466 16:9)
- 8MP (3456X1944 16:9)
- 5MP (3008X1688 16:9)

Burst:

The number of photos you take when capturing a photo:

- Off (1), 2, 3, 5, 10, 15, 20

Menu Options

Self-Timer:

The time your body worn camera will wait before taking a photo:

- **Off, 5 Seconds, 10 Seconds**

Continuous Shooting:

When on, pressing the photo button will activate continuous shooting during which the camera will automatically take a picture at set intervals:

- **Off, 5 Seconds, 10 Seconds**

Quality:

The Quality of the image for video and photo files:

- **S, Fine, Fine, Normal**

Pre-Record:

When on, any video you record will capture a short period of footage before the camera begins recording, which is stored in the camera's temporary files.

- **Can be toggled on or off**

Delay record:

The amount of time the camera waits to stop recording once you end the recording:

- **Off, 5 Seconds, 1 Minute, 10 Minutes**

Car DVR Mode:

When on, the camera will power up and begin recording as long as it detects power from the charging cable. When the power supply stops, the camera will turn off.

Menu Options

Loop recording:

When on, the camera will overwrite oldest footage to ensure there is enough space free on the device for new files.

Please note if you turn this feature on when capacity is already reached, it will not have sufficient space to overwrite and some storage will need to be freed up on the device first.

- **Can be toggled on and off**

Split Time:

When recording video files, the camera will automatically split recordings into a set length:

- **3 minutes, 5 minutes, 10 minutes, 15 minutes, 30 minutes, 45 minutes**

Slideshow:

When viewing images, if on, the camera will cycle through all images at a 5 second interval.

- **Can be toggled on and off**

Infrared:

When set to manual, you can press the light icon on the top of the camera to toggle the infrared lights however when set to auto, the IR lights will automatically engage based on the light sensor's reading of light level.

White Light:

White front facing LED light to offer a light source:

- **Can be toggled on and off**

Menu Options

Motion Detection:

When on, camera will start recording when motion is detected.

- **Toggleable On and Off**

Recording Warning:

When on, you will hear a voice warning when recording starts and stops.

- **Toggleable On and Off**

GPS:

Whilst the GPS is on, coordinates of the bodycamera will show on the recording. These coordinates can then be pasted into Google Earth for accurate GPS tagging.

- **Toggleable On and Off.**

Time Zone:

Allows you to select a time zone for your body worn solution.

- **Select a time zone between -12 and +12**

Language:

User can select from the following supported languages:

- **English**
- **Chinese**
- **Russian**
- **Polish**
- **French**
- **Japanese**
- **Portugese**

Menu Options

Screen Saver Mode:

The amount of time before the screen turns off to save power:

- **Off, 30 Seconds, 1 Minute, 3 Minutes, 5 Minutes**

LCD Brightness:

The Brightness of the LCD Screen:

- **High or Low**

Auto Power Off:

The amount of time before the camera powers off:

- **Off, 30 Seconds, 1 Minute, 3 Minutes, 5 Minutes**

LED light:

Used to toggle the LEDs that show the status of the camera:

- **Toggle On or Off**

Key Tone:

When on, camera will play a tone for every key press.

- **Toggleable On and Off**

Password:

Toggle password protection on and off.

Volume:

Toggle the volume of the camera's built in speaker.

- **Volume controls 0-12**

Menu Options

ID Setting:

User can set device and person serial number.

- **Set with alphanumerical formatting**

Change password:

Enables the user to alter the password of the device.

- **Set with alphanumerical formatting**

Time/Date Setup:

Adjust time and date.

- **Formatted as yyyy/mm/dd 00:00**

Default Settings:

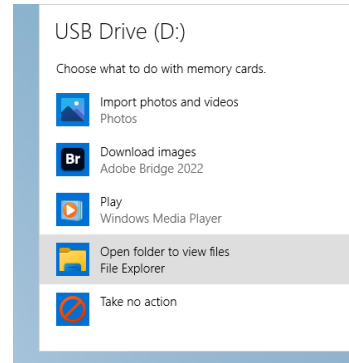
Resets the camera back to all default settings.

Finding your Files on Windows

Connect your body camera via the USB cable provided whilst computer is on the desktop.

You should the receive a prompt to 'choose what to do with this device'

Click 'Open device to view files'! Here there will be a folder named 'DCIM'! Click this to find all files.



Thank you for taking the time to read this instruction manual for your new Guardian G1 body camera.

If you have any further questions, please feel free to call us on:

0121 456 7800

or email us at
sales@speakit.co.uk