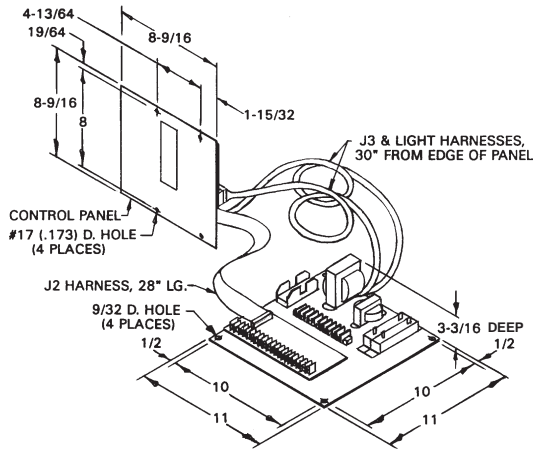


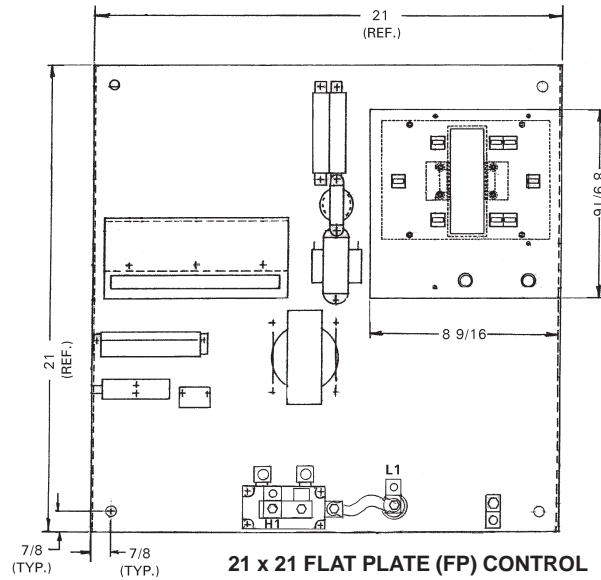
FLAT PLATE

CABINET TYPE	AVAILABLE CONTROL MODELS
FP	EN1000, EN1001, EN1500, EN2000
CASCADE FP	EN1000 CASCADE, EN1001 CASCADE
IMU	EN1000, EN1001

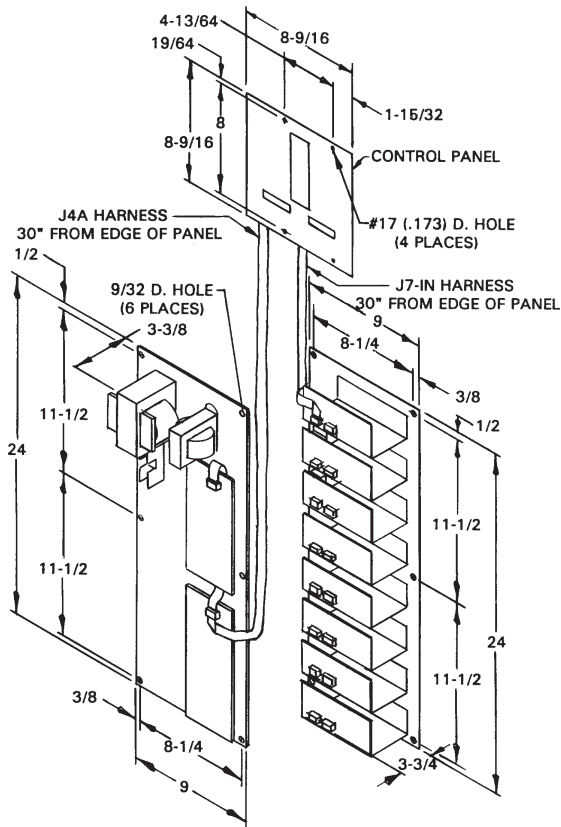
CONTACTOR SIZE	MAX. NO. OF CONTACTORS	CIRCUIT BREAKER
EXT. SCR	1	NOT AVAILABLE
EXT. SCR	UP TO 8	NOT AVAILABLE
EXT. SCR	1	NOT AVAILABLE



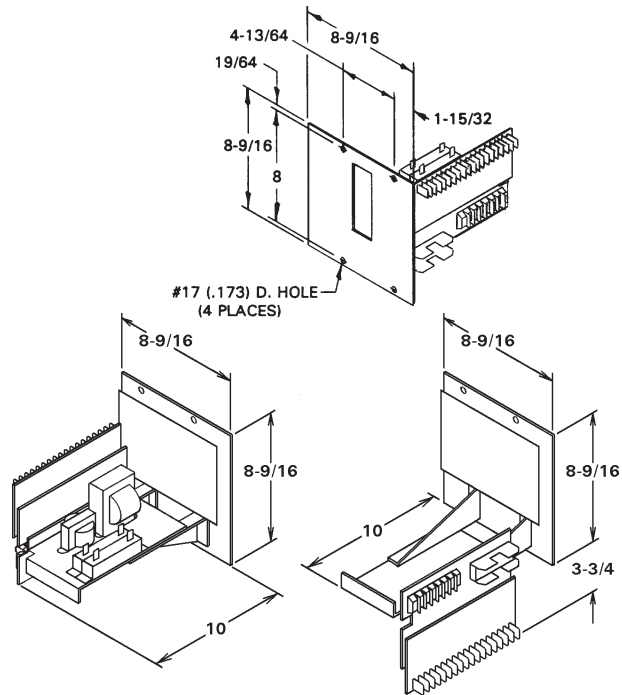
11 x 11 FLAT PLATE (FP) CONTROL



21 x 21 FLAT PLATE (FP) CONTROL



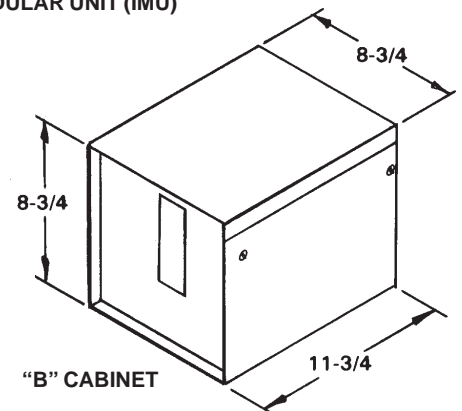
CASCADE FLAT PLATE CONTROL



INTEGRATED MODULAR UNIT (IMU)

"B" CABINET

AVAILABLE CONTROL MODELS	CONTACTOR SIZE	MAX. NO. OF CONTACTORS	CIRCUIT BREAKER
EN1000-B	150A	1	NOT AVAILABLE



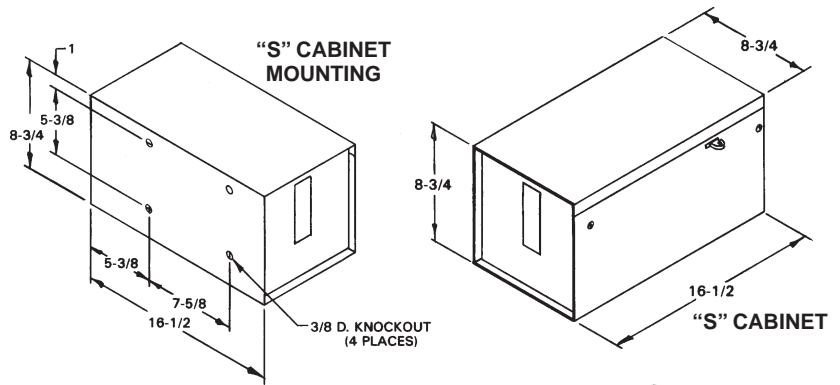
"B" CABINET

“S” CABINET

AVAILABLE CONTROL MODELS
EN1000, EN1001, EN2000

CONTACTOR SIZE	MAX. NO. OF CONTACTORS
EXT. IGN.	1
EXT. SCR	1
150A	1
300A	1
1200A	1

CIRCUIT BREAKER – NOT AVAILABLE

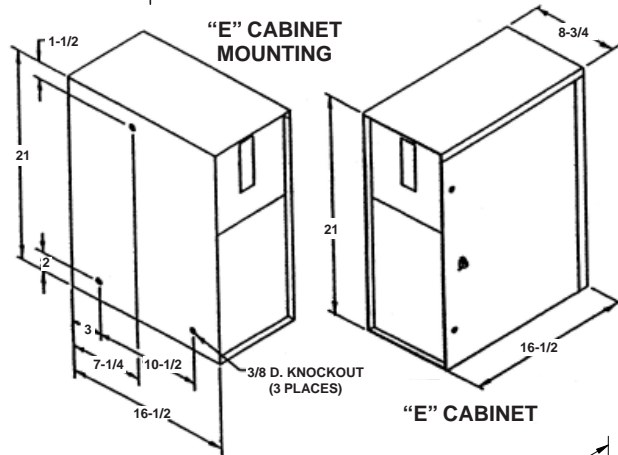


“E” CABINET

AVAILABLE CONTROL MODELS
EN1000, EN1001, EN2000

CONTACTOR SIZE	MAX. NO. OF CONTACTORS
EXT. IGN.	1
EXT. SCR	1
300A	1
1200A	1
1800A	1
2200A	1

CIRCUIT BREAKER – NOT AVAILABLE

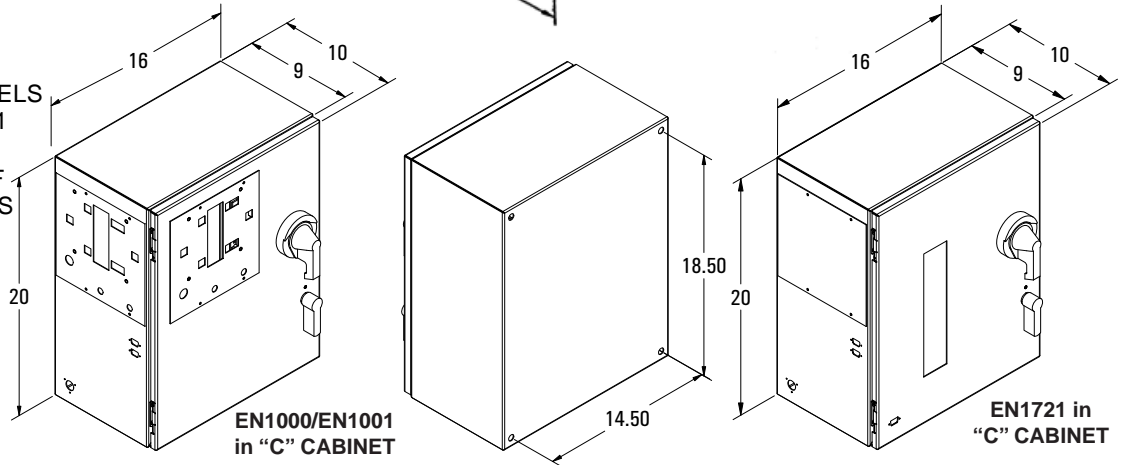


“C” CABINET

AVAILABLE CONTROL MODELS
EN1000, EN1001, EN1721

CONTACTOR SIZE	MAX. NO. OF CONTACTORS
300A	1
1200A	1

CIRCUIT BREAKER
100 OR 200A,
2 POLE

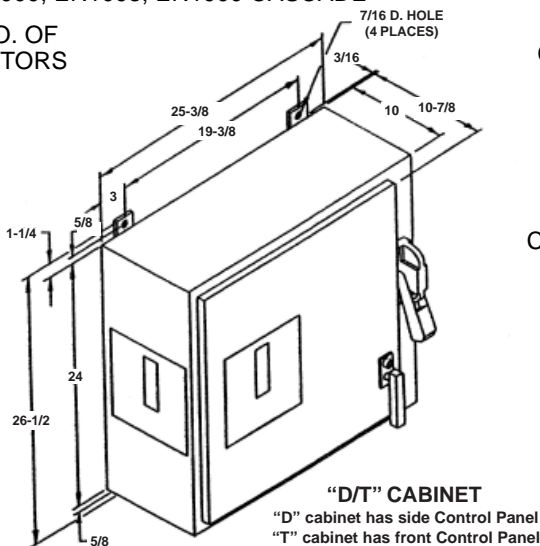


“D/T” CABINET

AVAILABLE CONTROL MODELS
EN1000, EN1001, EN2000, EN1003, EN1000 CASCADE

CONTACTOR SIZE	MAX. NO. OF CONTACTORS
EXT. IGN.	2
EXT. SCR	4
300A	3
1200A	3
1800A	1
2200A	1

CIRCUIT BREAKER
100, 200, OR 400A,
2 OR 3 POLE

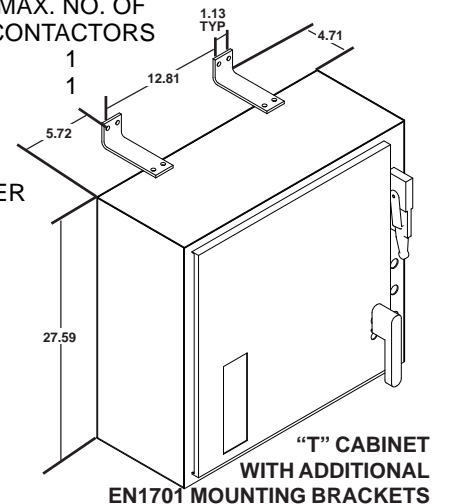


“T” CABINET

AVAILABLE CONTROL MODELS
EN1701

CONTACTOR SIZE	MAX. NO. OF CONTACTORS
360A	1
600A	1

CIRCUIT BREAKER
100 OR 200A,
3 POLE



“L” CABINET

AVAILABLE CONTROL MODELS

EN1000, EN1001, EN2000, EN1003, EN1000 CASCADE,
MULTIPLE EN1000, MULTIPLE EN1001

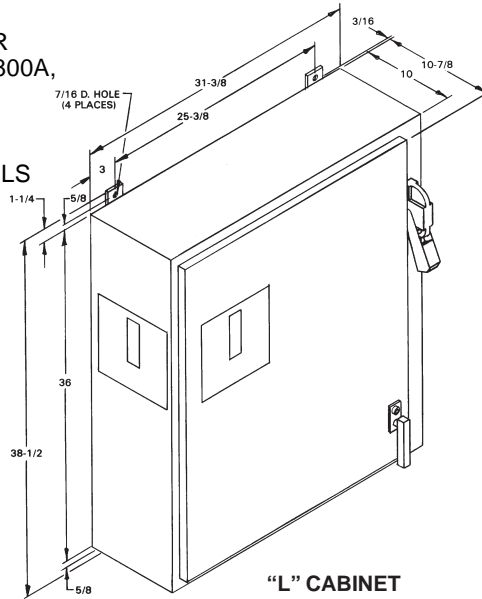
CONTACTOR SIZE	MAX. NO. OF CONTACTORS
EXT. IGN.	6
EXT. SCR	8
300A	4
1200A	3
1800A	3
2200A	3

CIRCUIT BREAKER
100, 200, 400, 600 OR 800A,
2 OR 3 POLE

EN1701 CONTROL MODELS

CONTACTOR SIZE	MAX. NO. OF CONTACTORS
360A	1
600A	1
1000A	1

CIRCUIT BREAKER
100 OR 200A,
3 POLE



“L” CABINET

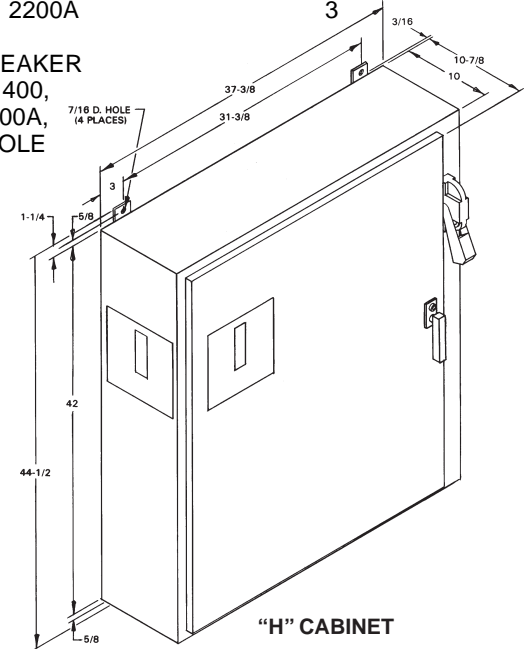
“H” CABINET

AVAILABLE CONTROL MODELS

EN1000, EN1001, EN2000, EN1003, EN1000 CASCADE,
MULTIPLE EN1000, MULTIPLE EN1001

CONTACTOR SIZE	MAX. NO. OF CONTACTORS
EXT. IGN.	8
300A	6
1200A	4
1800A	4
2200A	3

CIRCUIT BREAKER
100, 200, 400,
600 OR 800A,
2 OR 3 POLE



“H” CABINET

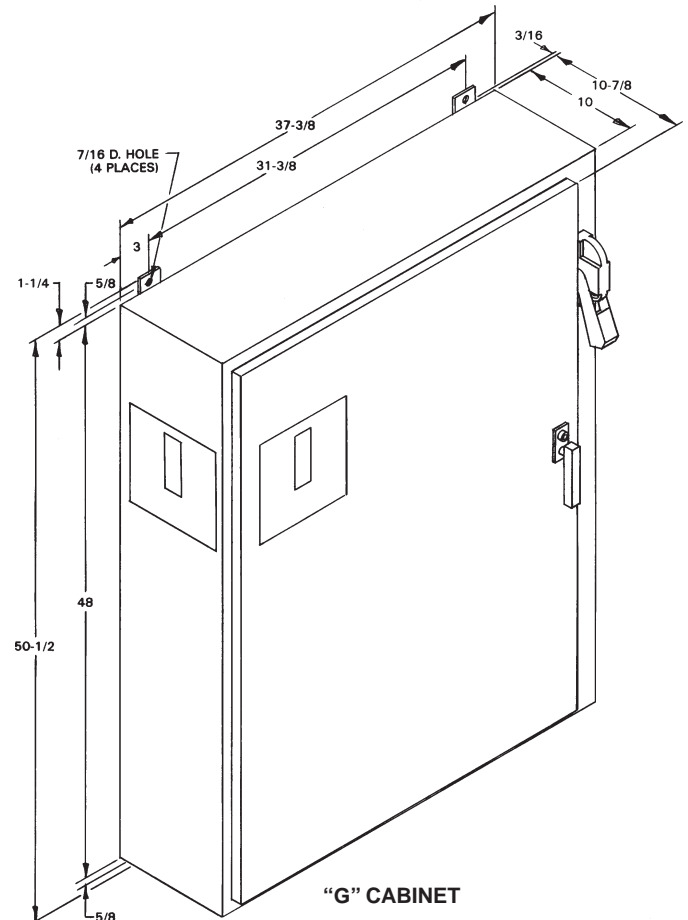
“G” CABINET

AVAILABLE CONTROL MODELS

EN1000, EN1001, EN2000, EN1003, EN1000 CASCADE,
MULTIPLE EN1000, MULTIPLE EN1001

CONTACTOR SIZE	MAX. NO. OF CONTACTORS
1200A	6
1800A	5
2200A	4

CIRCUIT BREAKER
100, 200, 400,
600 OR 800A,
2 OR 3 POLE



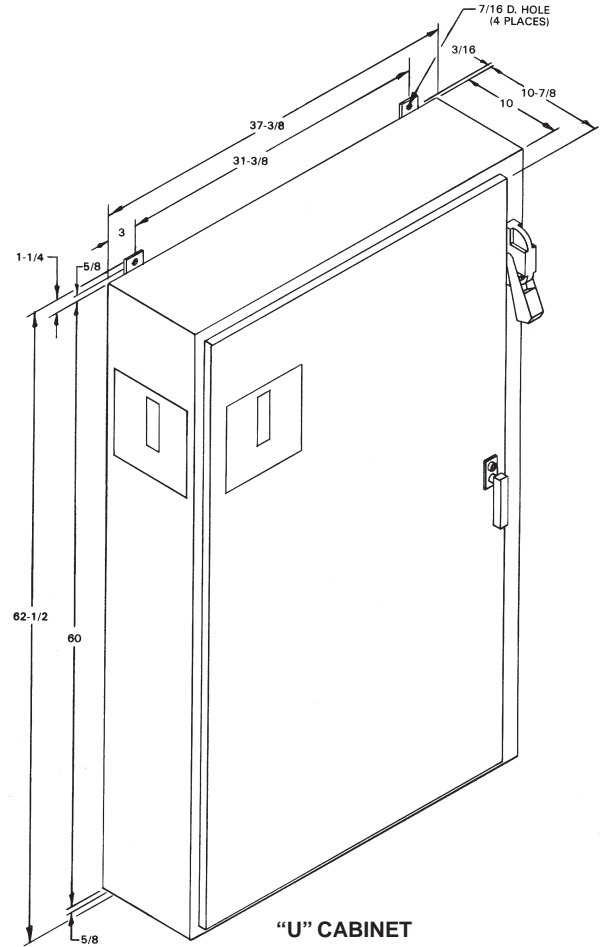
“G” CABINET

"U" CABINET

AVAILABLE CONTROL MODELS
 EN1000, EN1001, EN2000, EN1003, EN1000 CASCADE,
 MULTIPLE EN1000, MULTIPLE EN1001

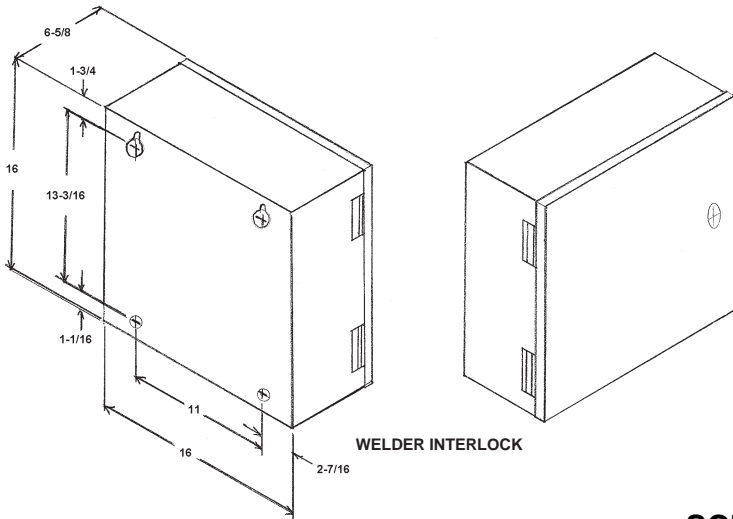
CONTACTOR SIZE	MAX. NO. OF CONTACTORS
1200A	8
1800A	6
2200A	6

CIRCUIT BREAKER
 100, 200, 400,
 600 OR 800A,
 2 OR 3 POLE



WELDER INTERLOCK

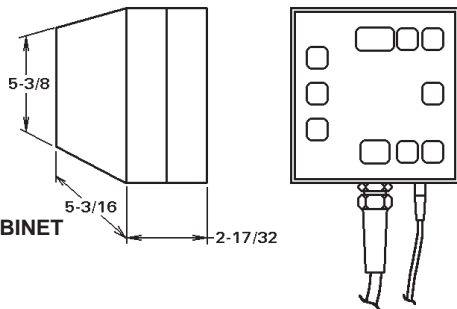
EN2WI-SS to EN8WI-SS



WELDER INTERLOCK

REMOTE TERMINAL CABINET (RT4jr.)

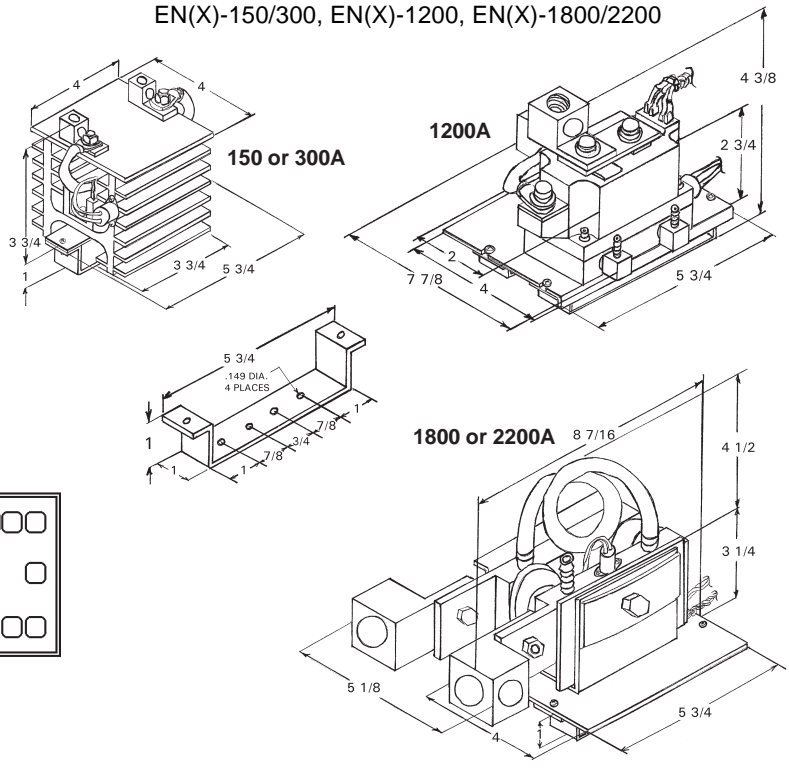
Used for remote, long distance mounting of Control Panel via RS485 for EN1000, EN1001 and EN2000 Controls



RT4jr. CABINET

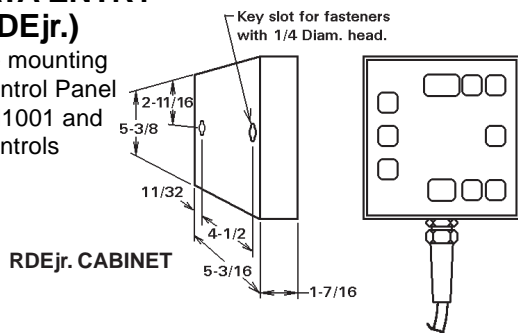
SCR CONTACTOR ASSEMBLIES

EN(X)-150/300, EN(X)-1200, EN(X)-1800/2200



REMOTE DATA ENTRY CABINET (RDEjr.)

Used for remote mounting (6 feet) of the Control Panel for EN1000, EN1001 and EN2000 Controls



RDEjr. CABINET