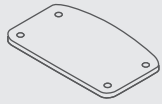


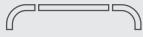
QuickZip™ ShowTime

ASSEMBLY INSTRUCTIONS

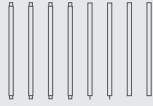
BOX CONTENTS



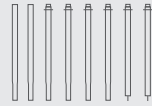
Base



End Poles



(8) Graphic Frame Poles



(8) Shelf Poles
(Incl. Base & Top Poles)



(4) Shelves



(8) Shelving Mounts
(2) Screw Caps

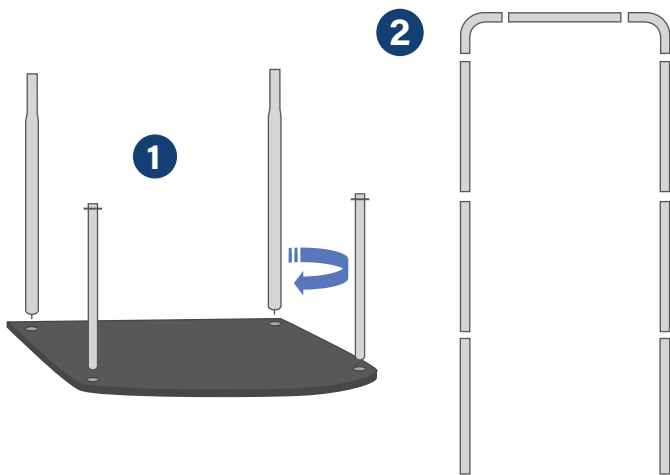


(1) Graphic Print
(Ships Separately)

1

Assemble the Frame

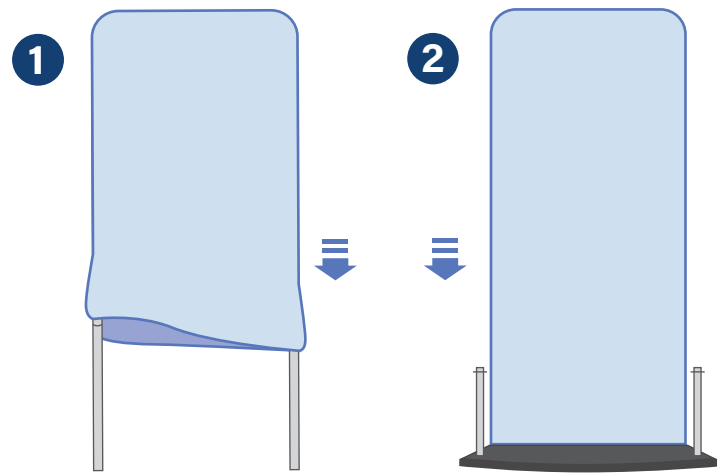
First, twist the base frame and shelf poles into the base of the display. Then snap together the remaining poles, leaving the base and the rest of the frame separate.



2

Install the Graphics

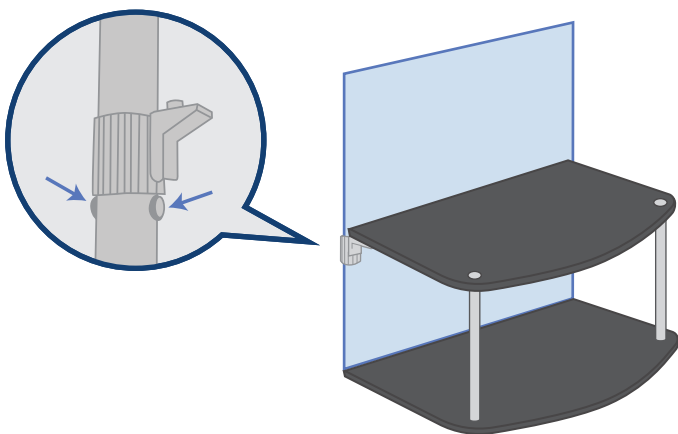
First, begin to slide the graphics over the frame. Then connect the main frame to the base poles and resume pulling the graphics to the bottom of the display.



3

Attach Shelves

First, snap the shelving mounts onto the frame. Then begin placing the shelves and shelf poles until fully assembled.



Place the shelving mounts where you can feel the indicators through the graphics.

4

Align the Display

Twist the screw caps into the top shelf, ensure the shelves are even and secure, then you're good to go!

