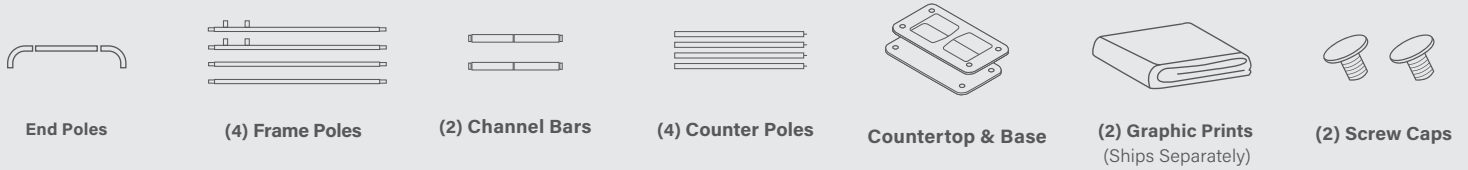


# QuickZip™ Broadcast

## ASSEMBLY INSTRUCTIONS

### BOX CONTENTS



### BOX CONTENTS - TV MONITOR HARDWARE

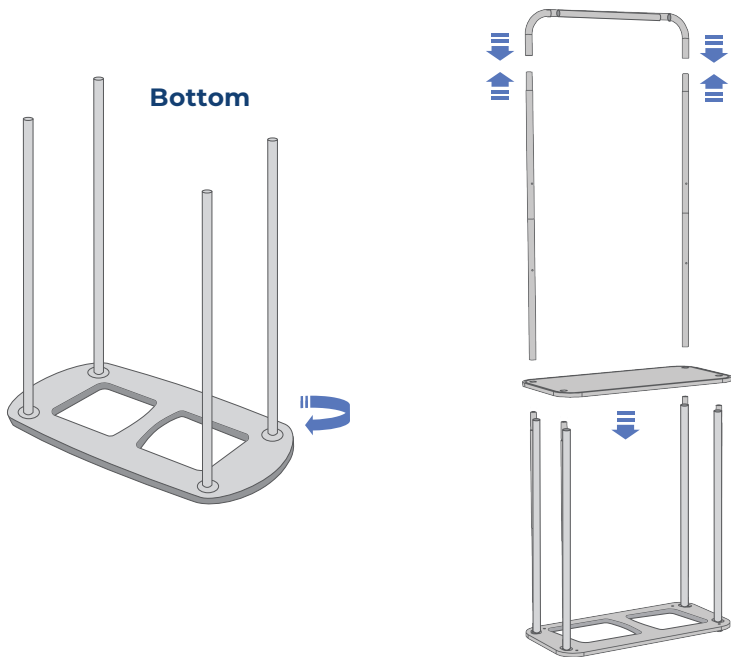


### NOT FOR USE WITH DISPLAY



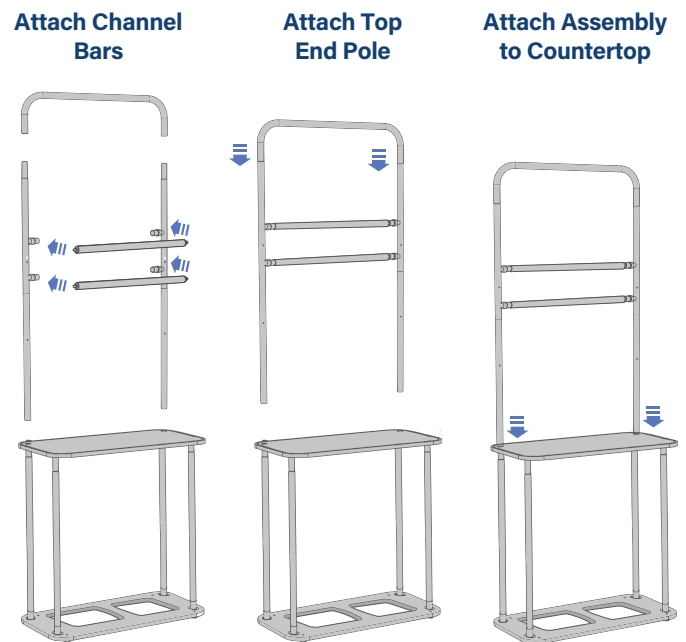
## 1 Assemble the Frame

First twist the counter poles into the base. Then, secure the top counter surface onto the legs and secure the top half. Finally, twist in the end caps into the counter top.



## 2 Assemble the Top Channel Bars

Secure the vertical and horizontal channel bars by simultaneously twisting each end.

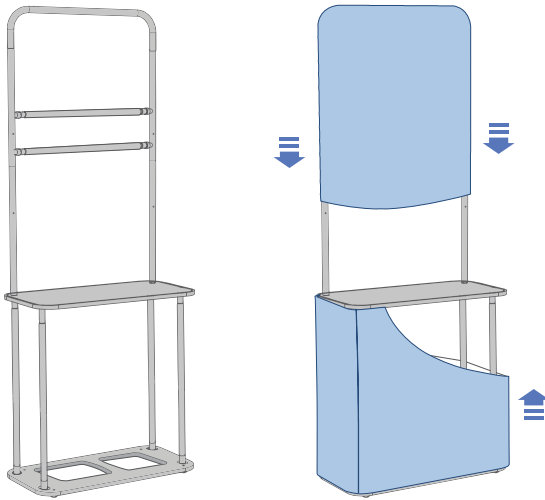


Once assembled, twist the end caps into the top of the counter surface

**3**

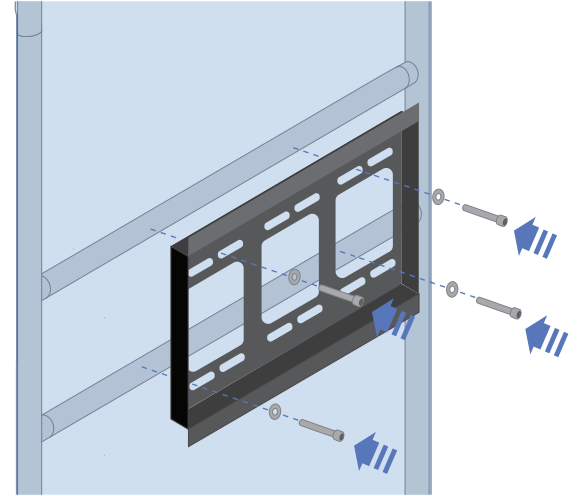
### Install the Graphic

Starting from the top, pull the graphic print over the frame pulling both sides simultaneously. Then fit the counter graphic around it's frame and insert the silicone edges in the grooves found on the outer counter surfaces.

**4**

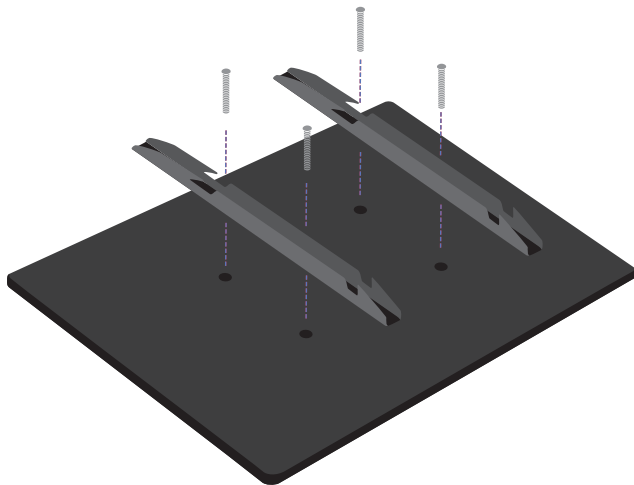
### Attach TV Mount

Screw the TV Mount on the display using the M6 Screws and M6 washers.

**5**

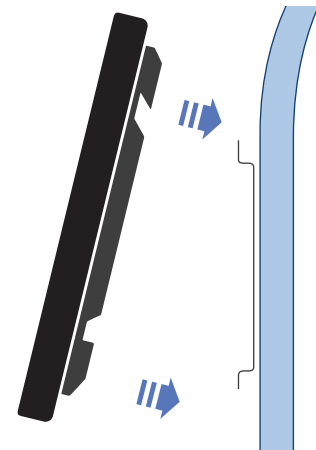
### Attach Brackets to Monitor

Attach the brackets on your monitor using the M5, M6, or M8 Screws.

**6**

### Mount the Monitor

Attach the monitor bracket hooks to the top of the monitor mount.

**7**

### Ready to Go!

