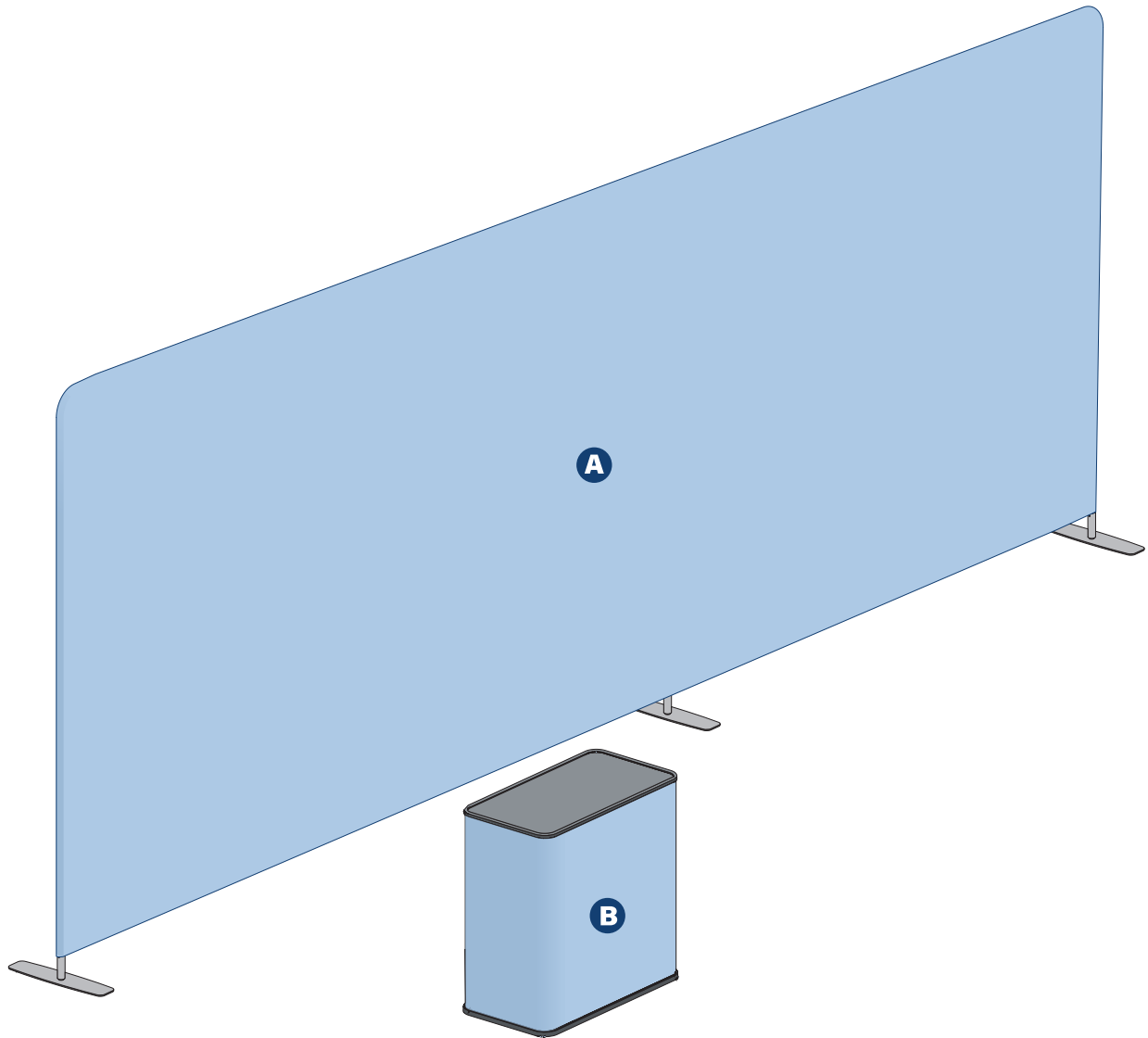


# QuickZip™ 20ft Straight Display

## ASSEMBLY INSTRUCTIONS



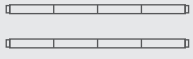
### INCLUDED:

- A QuickZip™ 20ft Straight Display
- B Hardcase Podium

# A QuickZip™ 20ft Straight Display

## ASSEMBLY INSTRUCTIONS

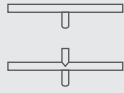
### BOX CONTENTS



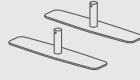
(9) Connected Poles



(4) Corner Poles



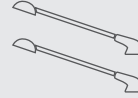
(2) Intersecting Poles



(3) Support Feet



(2) Light Clips

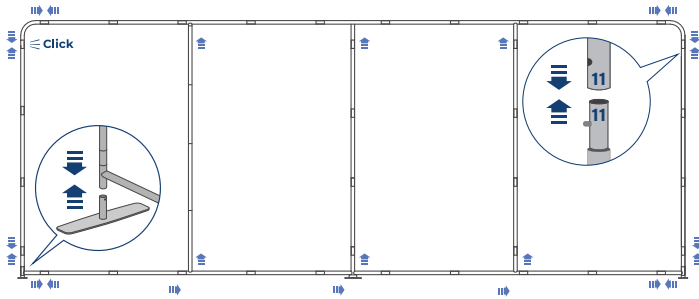


(2) LED Lights  
(Option for 4)

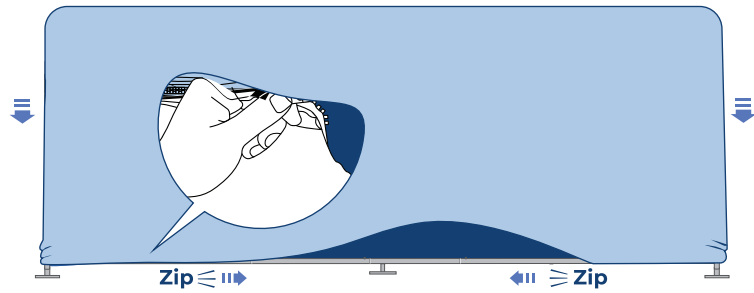


(1) Backdrop Graphic  
(Ships Separately)

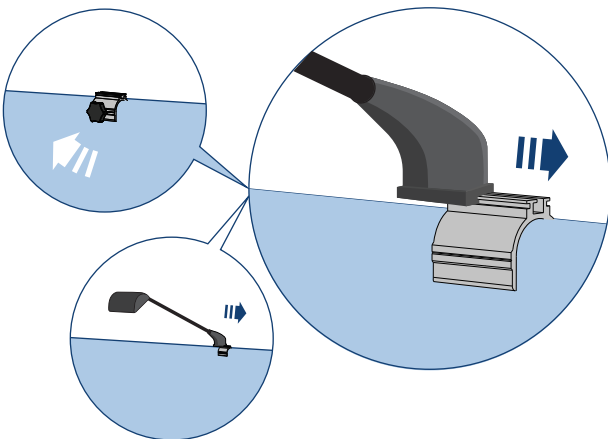
### 1 Assemble the Frame



### 2 Install the Graphic

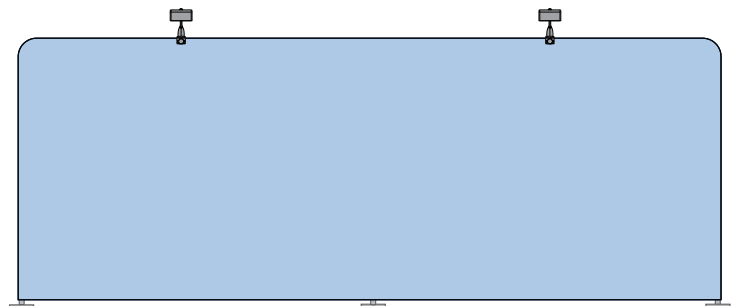


### 3 Attach LED Lights (Optional)



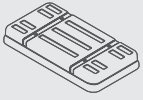
To avoid damage, do not twist the knobs too tight.

### 4 Align the Display

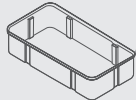


The poles can be maneuvered to stand upright if the frame is leaning

### BOX CONTENTS



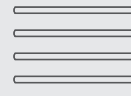
(1) Case Lid



(1) Storage Case



(1) Counter Top



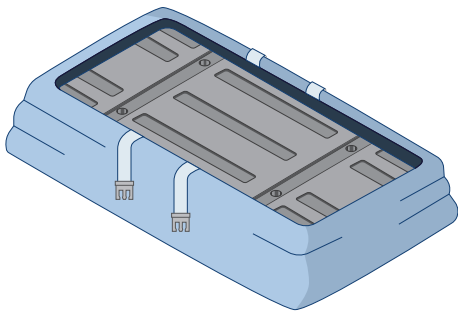
(4) Poles



(1) Podium Graphic  
(Ships Separately)

**1**

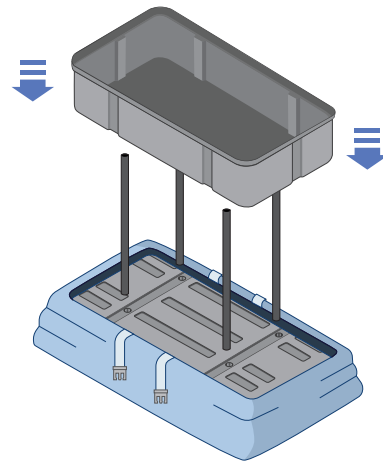
### Prepare the Base



*Tuck the bottom end of the Graphic under the Case Lid*

**2**

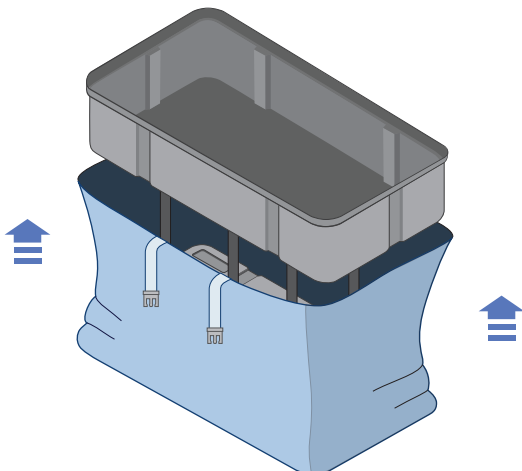
### Set Up the Hardware



*Install the Poles into the Case Lid, then install the Storage Case.*

**3**

### Pull Up Graphics

**4**

### Attach the Counter Top

