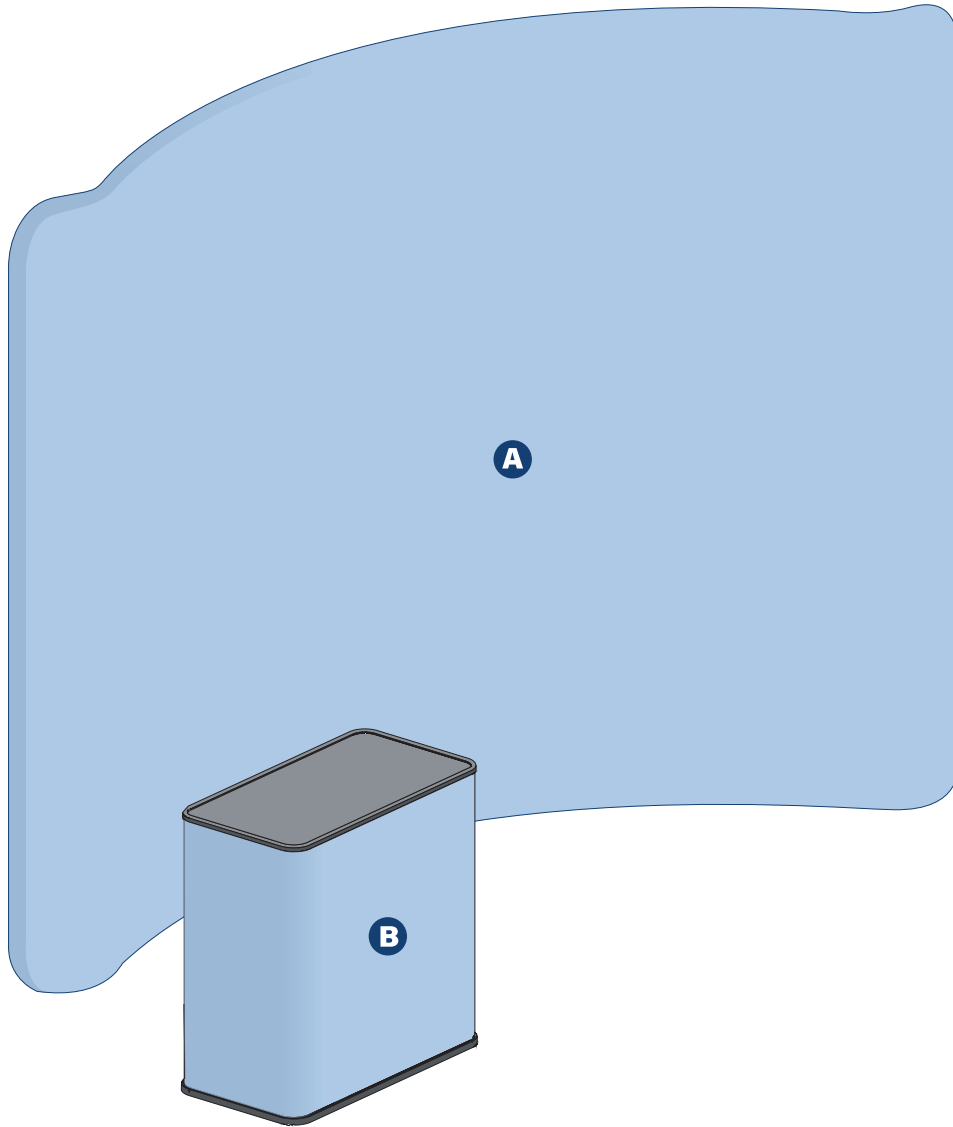


QuickZip™ 10ft Curved Display

ASSEMBLY INSTRUCTIONS



INCLUDED:

- A QuickZip™ 10ft Curved Display
- B Hardcase Podium (Optional)

A QuickZip™ 10ft Curved Display

ASSEMBLY INSTRUCTIONS

BOX CONTENTS



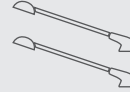
(5) Connected Poles



(4) Corners



(2) Light Clips

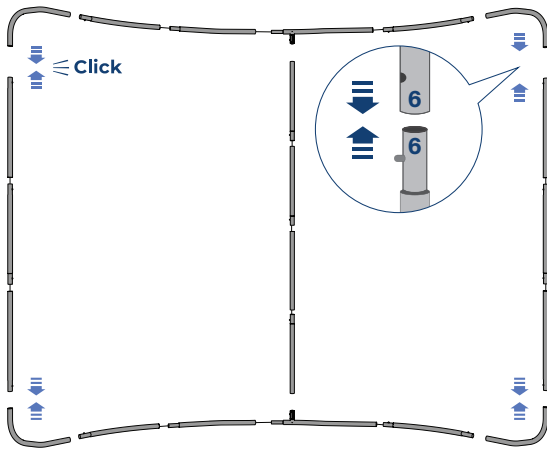


(2) LED Lights
(Optional)

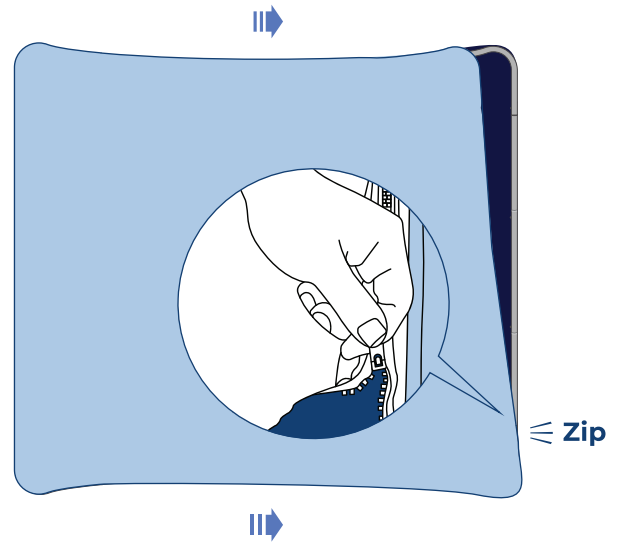


(1) Backdrop Graphic
(Ships Separately)

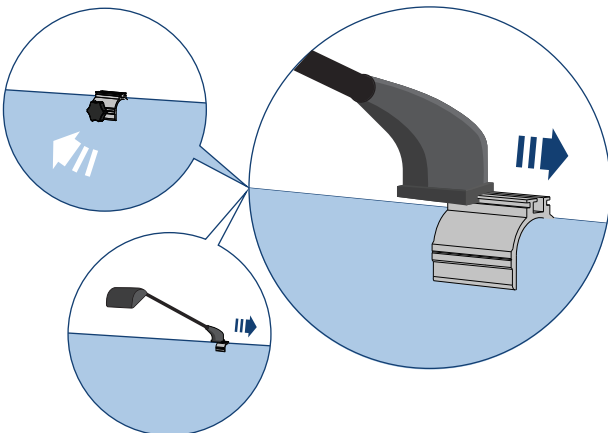
1 Assemble the Frame



2 Install the Graphic

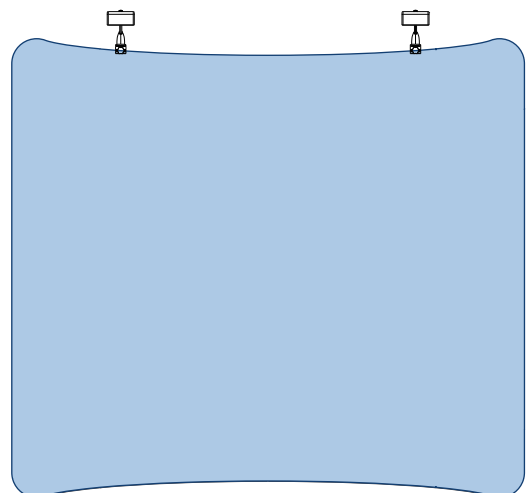


3 Attach LED Lights (Optional)



To avoid damage, do not twist the knobs too tight.

4 Align the Display



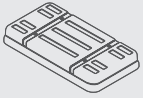
The poles can be maneuvered to stand upright if the frame is leaning

B

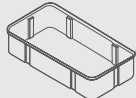
Hardcase/Podium (Optional)

ASSEMBLY INSTRUCTIONS

BOX CONTENTS



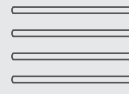
(1) Case Lid



(1) Storage Case



(1) Counter Top



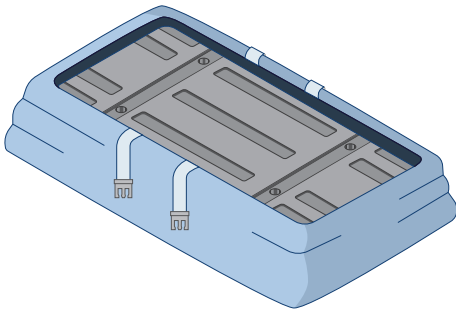
(4) Poles



(1) Podium Graphic
(Ships Separately)

1

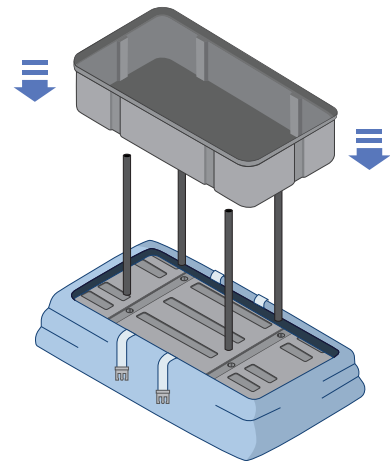
Prepare the Base



Tuck the bottom end of the Graphic under the Case Lid

2

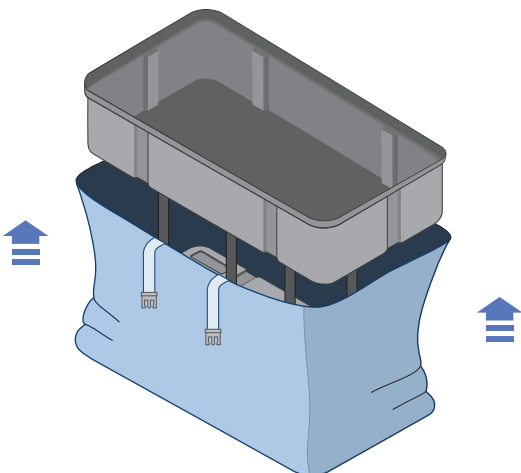
Set Up the Hardware



Install the Poles into the Case Lid, then install the Storage Case.

3

Pull Up Graphics

**4**

Attach the Counter Top

