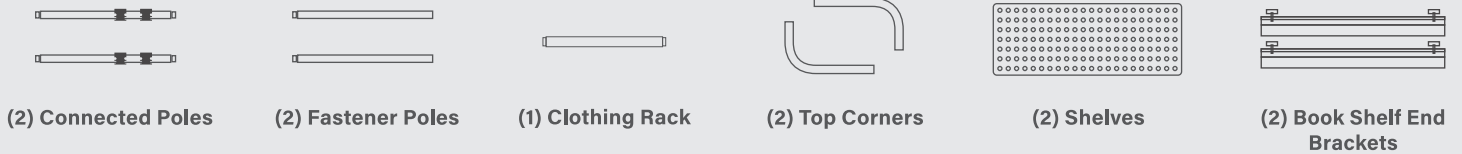


QuickZip™ Showcase - Kit C

ASSEMBLY INSTRUCTIONS

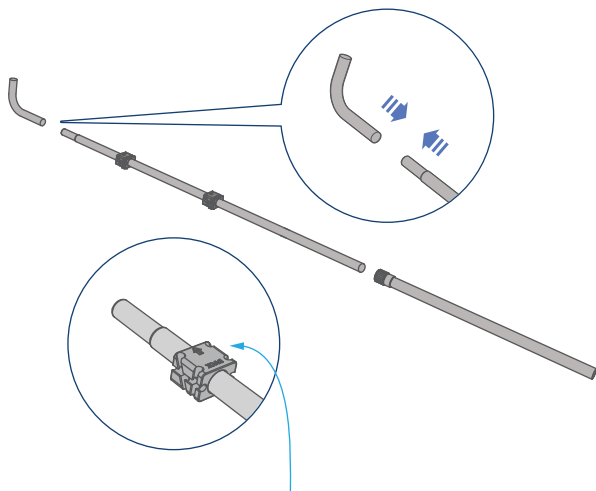
BOX CONTENTS



1

Assemble the Frame

Connect the poles with the shelf hubs to the fastener poles and the top corners.

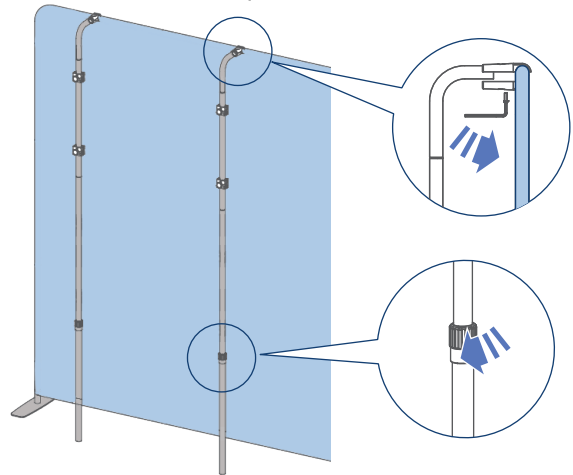


The arrow mark on the hub should point up.

2

Attach to Backdrop

Insert the top of the aluminum tube in between the metal clamp & attach the metal clamp to the backdrop and fasten the screw.

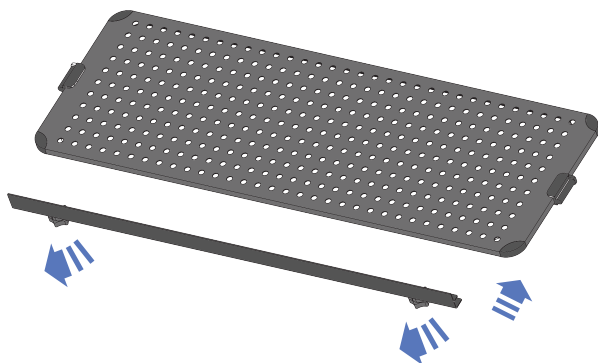


Adjust the tube's height and tighten in place with the twist knob.

3

Attach Shelf Ends

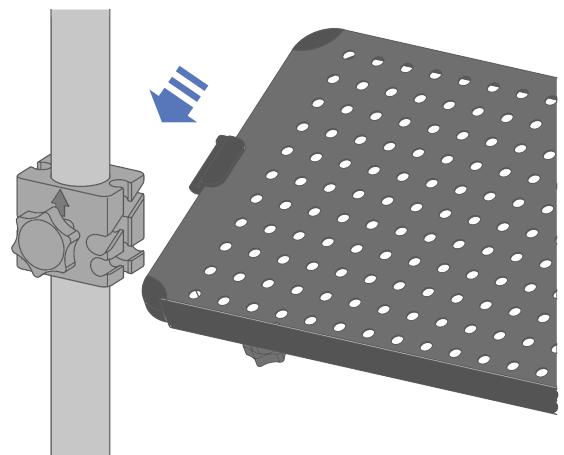
Attach the end brackets to the shelves and tighten using clamp screws on the back.



4

Sloping Shelf

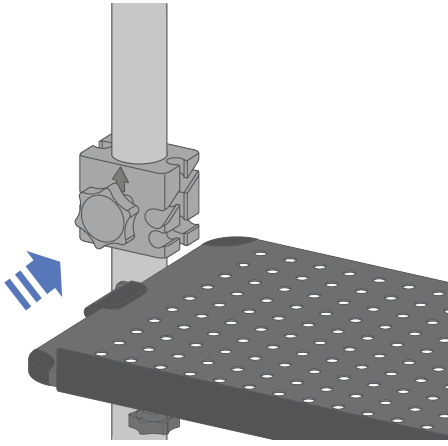
Slide the shelf into the shelf support hubs from the back at a 45° angle.



5

Flat Shelf

Slide the shelf into shelf support hubs from the front.



6

Ensure Shelves are Level

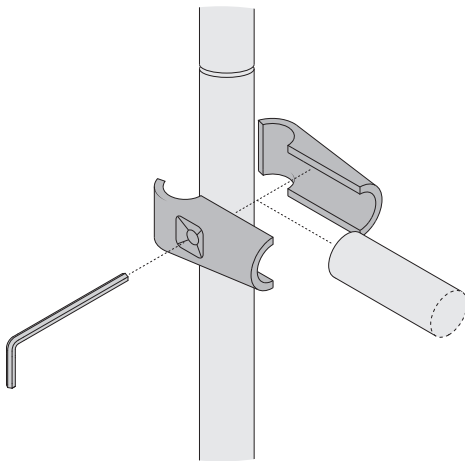
Adjust the hubs as needed to ensure shelves are aligned at the same height on both sides.



7

Clothing Rack

Clip the cross bar onto the pole and secure into place using the provided screws.



8

Finished Backdrop

