

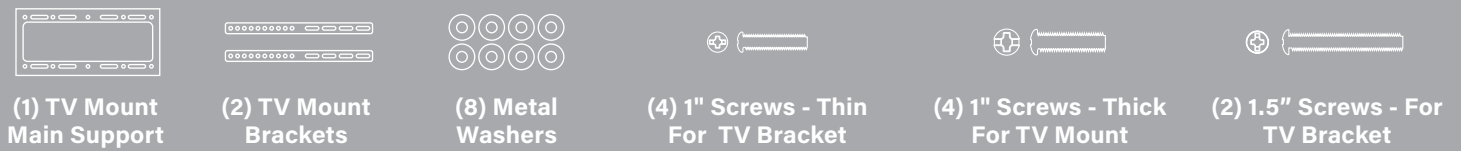
QuickZip™ Showcase - Kit B

ASSEMBLY INSTRUCTIONS

BOX CONTENTS



BOX CONTENTS - TV MONITOR HARDWARE



NOT FOR USE WITH DISPLAY



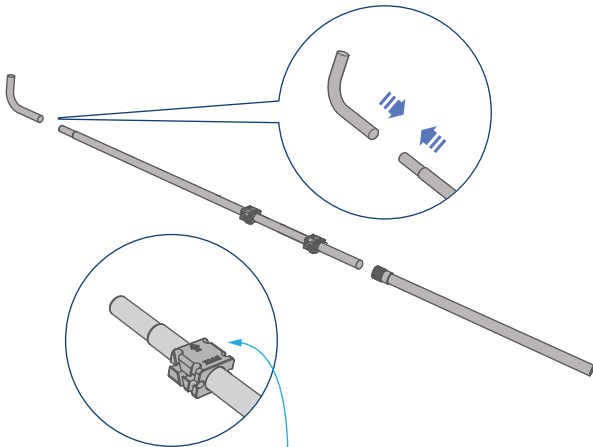
(4) Wall Anchors



(4) Wall Anchor Screws

1 Assemble the Frame

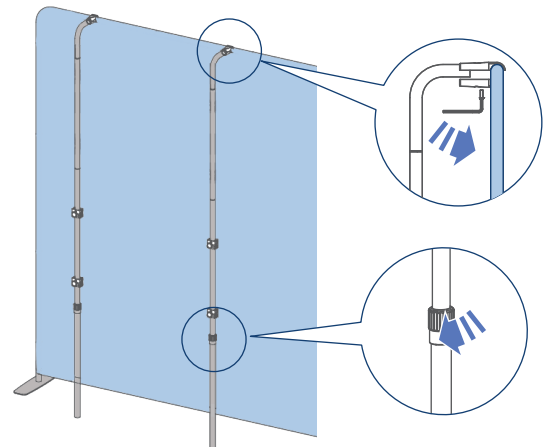
Connect the poles with the shelf support hubs to the fastener poles and the top corners.



The arrow mark on the hubs should point up.

2 Attach to Backdrop

Insert the top of the aluminum tube in between the metal clamp & attach the metal clamp to the backdrop and fasten the screw.

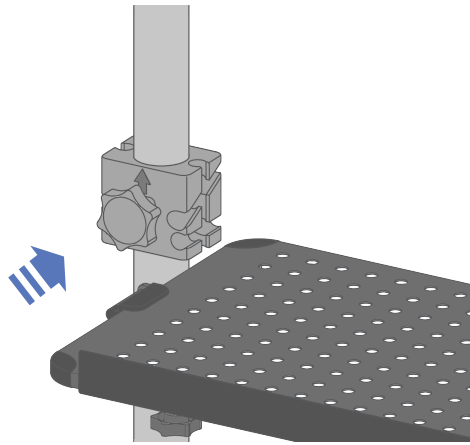


Adjust the tube's height and tighten in place with the twist knob.

3

Attach Flat Shelf

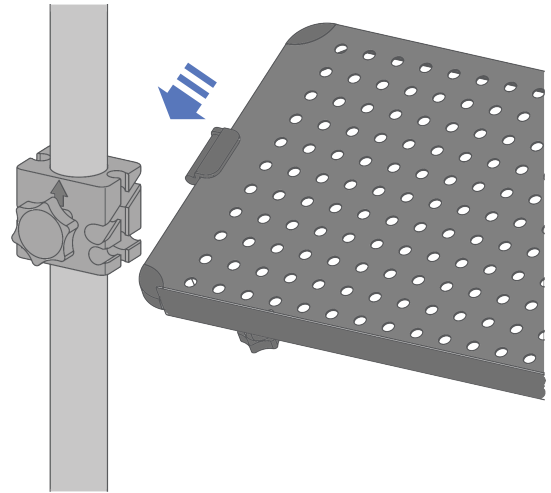
Slide the shelf into the shelf support hubs from the front.



4

Sloping Shelves

Slide the shelf into the shelf support hubs from the back at a 45° angle



5

Ensure Shelves are Level

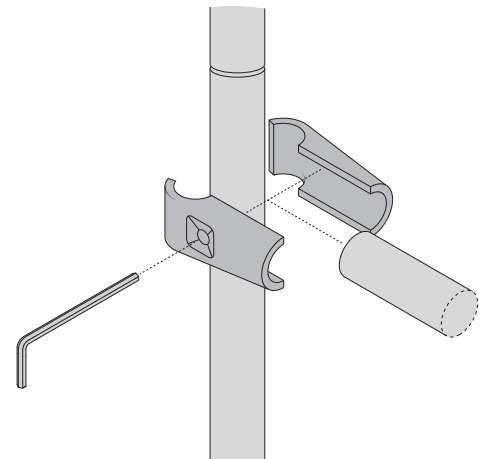
Adjust the hubs as needed to ensure shelves are aligned at the same height on both sides.



6

Attach Cross Bars

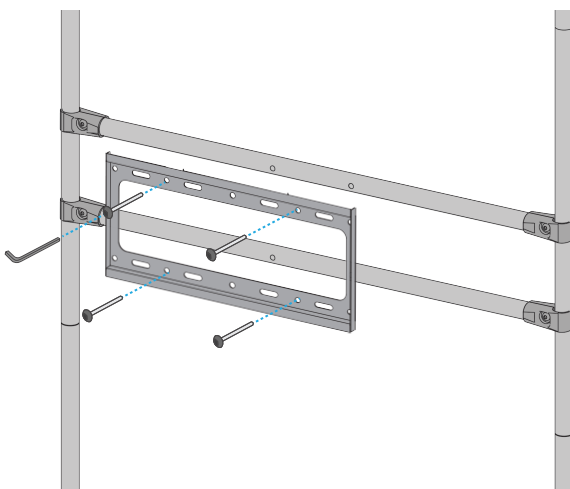
Clip the cross bar onto the pole and secure into place using the provided screws.



7

Attach TV Mount

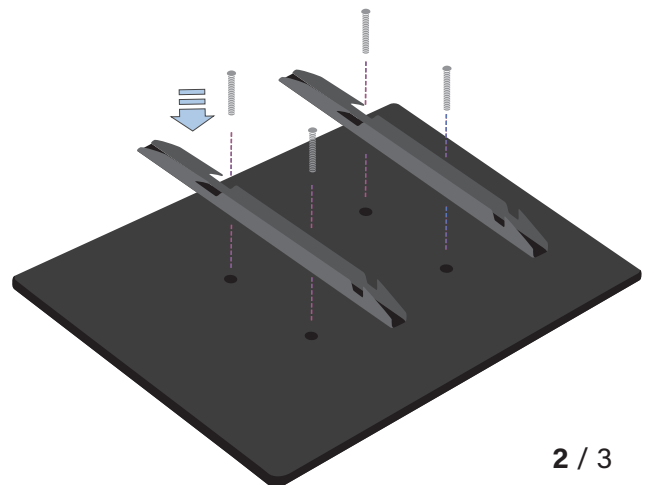
Screw the TV Mount to the cross bars using the 1" Thick Screws and the metal washers.



8

Attach Brackets to Monitor

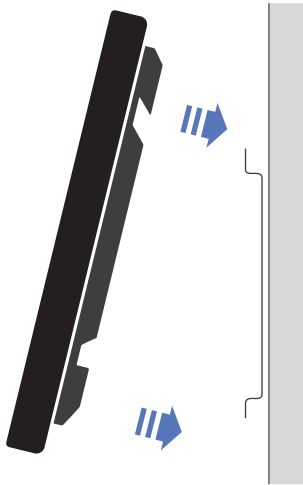
Attach the brackets on your monitor using the 2" TV Bracket Screws.



9

Attach Monitor

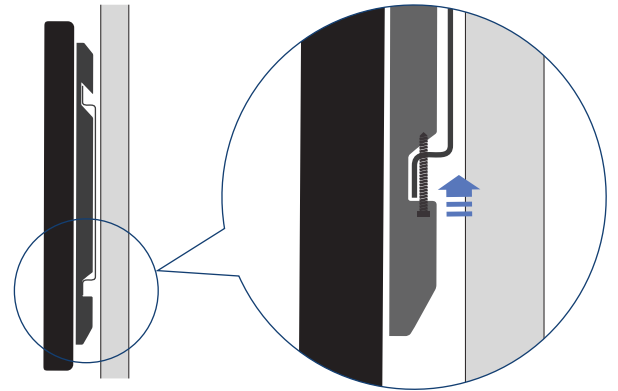
Attach the monitor bracket hooks to the top of the monitor mount.



10

Secure the Brackets

Insert the 3" Bracket Support Screws into the bottom holes of the brackets in order to safely secure the monitor to the mount.



11

Finished Backdrop

