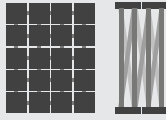


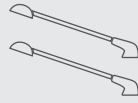
# Perfect-Pop™ Display

## ASSEMBLY INSTRUCTIONS

### BOX CONTENTS



(1) Frame



(2) LED Lights  
(Optional)

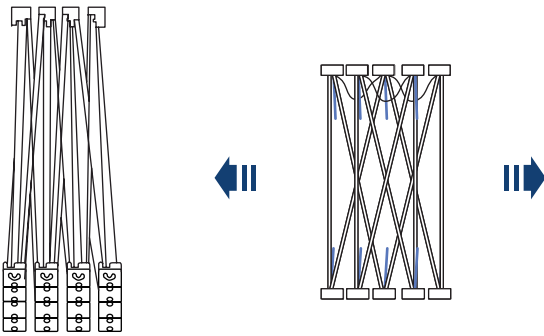


(1) Backdrop Graphic  
(Ships Separately)

1

### Unfold the frame

Place the popup frame on the floor, with the front of your display facing up. Unfold your frame to the sides while its laying on the floor.

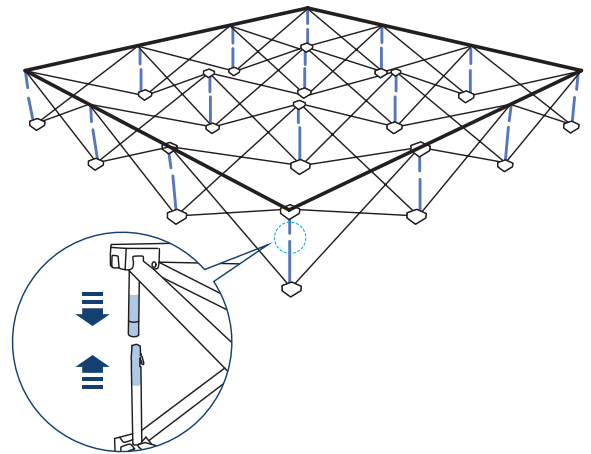


*It helps to have a second person to pull the other side simultaneously.*

2

### Connect All Locking Arms

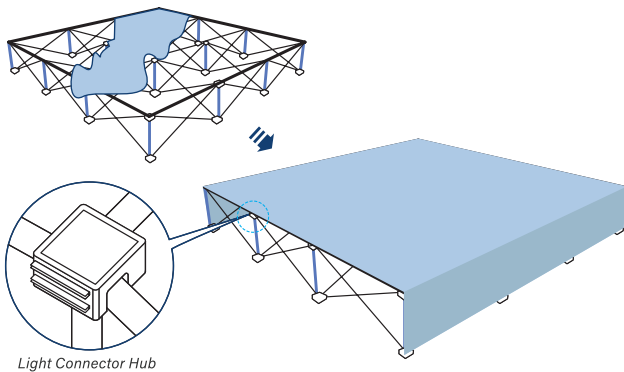
Once unfolded, align all locking arms and click those together. Make sure all are secure in place.



3

### Install Graphic

First identify the top of the frame by locating the light connector hubs. Then, starting with the top corners, attach the graphic to the frame by aligning along the velcro strips as straight as possible

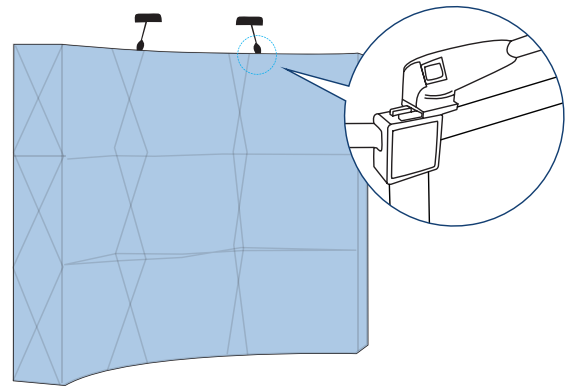


*Once the front is secure, wrap and attach the graphic to the sides and back.*

4

### Attach LED Lights

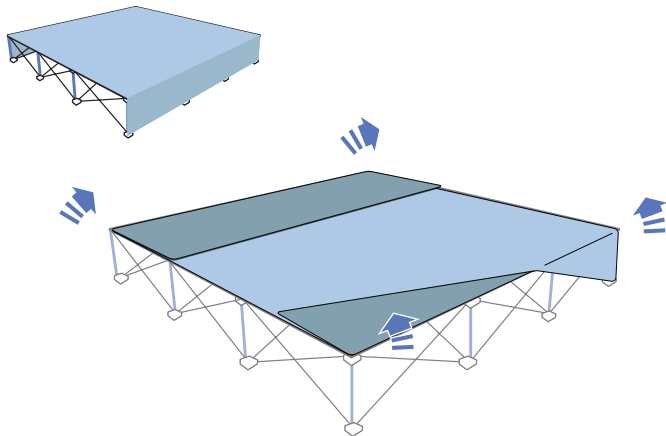
Slide the LED Lights onto the light connector hubs. Stand up the frame and shift until it's standing straight. Plug in your lights and your display is ready for action!



*You can adjust the frame alignment by having a person on each side gently shift the top corners until the display stands completely straight.*

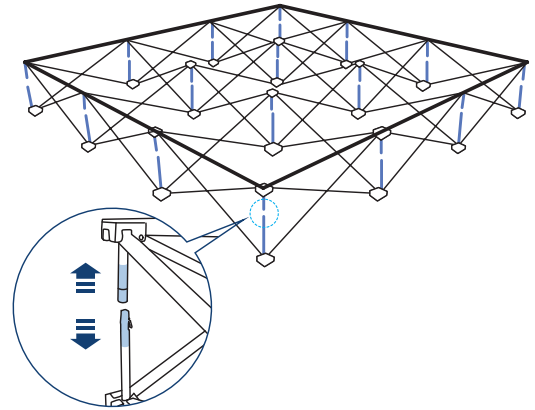
### 1 Detach Velcro from the Sides

Start by laying the frame down flat, and separating the velcro strips from the back and sides of the frame. Fold that portion of the graphic over the front.



### 2 Unlock Arms

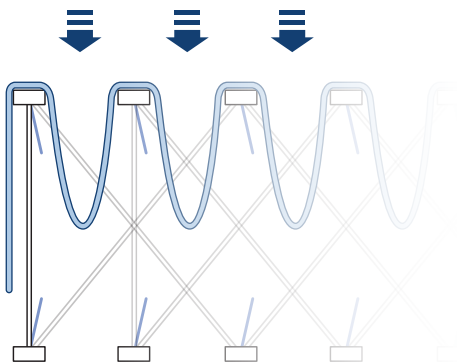
Make sure all locking arms are disconnected, and check that the velcro strips are not wrapped around the locking arms before collapsing the frame.



*Failure to do so could result in the frame breaking under pressure.*

### 3 Compress Frame

Starting at the corners, slowly squeeze the frame together while ensuring the graphic is evenly distributed in all pockets as the frame comes together.



### 4 Store Away for Future Use

Tightly compress the frame (with graphic on if desired) and slide, graphic side first, into storage bag for future use.

