



**Foot Peg R&D Form**

Date: \_\_\_\_\_ By: \_\_\_\_\_

Make \_\_\_\_\_ Model \_\_\_\_\_ Year \_\_\_\_\_

Person taking measurements - Name: \_\_\_\_\_ Phone: \_\_\_\_\_

Address: \_\_\_\_\_

Do the footpeg brackets unbolt from frame: Yes or No \_\_\_\_\_

Are the footpeg brackets mirror images? \_\_\_\_\_

Are both left and right footpegs mirror images? \_\_\_\_\_

The Footpeg Pin OD (outside diameter) is \_\_\_\_\_ mm (eg: 9.95mm)

The total Footpeg Pin length is \_\_\_\_\_ mm

The Footpeg Pin length from underside of top flange to split pin hole is \_\_\_\_\_ mm

Does the Footpeg Pin use split pins or circlips? \_\_\_\_\_

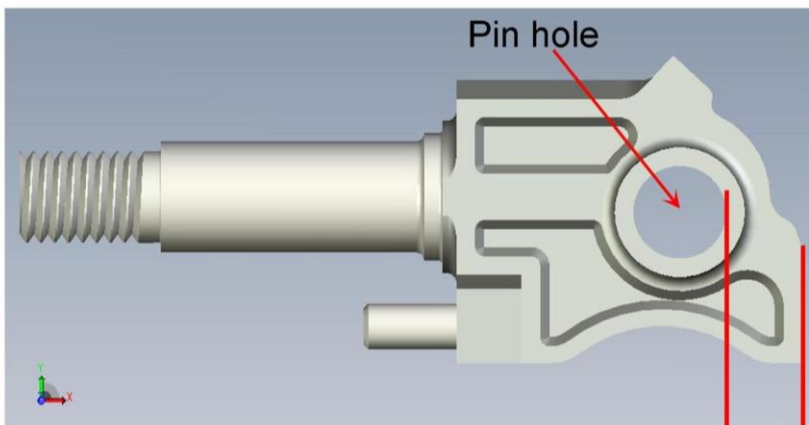
The ID (internal dimension) of the pin hole in the Footpeg is \_\_\_\_\_ mm (eg: 10.25mm)

The Footpeg Mount width is \_\_\_\_\_ mm

The Frame Mount width is \_\_\_\_\_ mm (internal dimension)

The angle of the footpeg pin in the bike frame is \_\_\_\_\_ degrees. (Normally it will be 45 or 50 degrees)

**Please provide measurement below**



Note: picture is for illustration purposes only and does not depict the actual shape or design of the foot peg mount you are measuring

Write measurement here