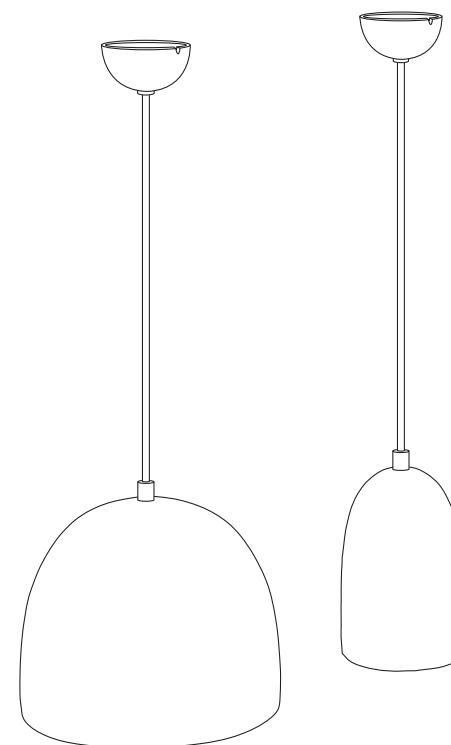


SPECKLE PENDANTS

ASSEMBLY MANUAL

fermliving.com



ferm
L I V I N G

GENERAL INSTRUCTIONS

Please read before installation

WARNING:

The safety of this fitting can only be guaranteed if the following instructions are observed during both installation and use. Please retain these instructions safely after installation.

Please observe the following guidelines:

- Ensure that the power supply has been switched off prior to installation or removal of the product.
- Never undertake an electrical installation without the proper knowledge or training. If not familiar with electrical wiring, contact a qualified electrician.
- The product may in no way be modified or tampered with. Any modification may compromise safety and make the product itself dangerous to use. ferm LIVING does not accept any responsibility for products that have been modified.
- This product requires the use of a lightbulb that is not included. Please use a lightbulb that has the relevant safety certifications and approvals for your area.
- This product is meant for indoor use only.
- This appliance should not be disposed in a domestic trash receptacle and should instead be recycled appropriately.

CLEANING INSTRUCTIONS:

- Use only a soft cloth to clean the product. Dampen the cloth with water and soap or a mild cleanser if needed.

MORE INFORMATION:

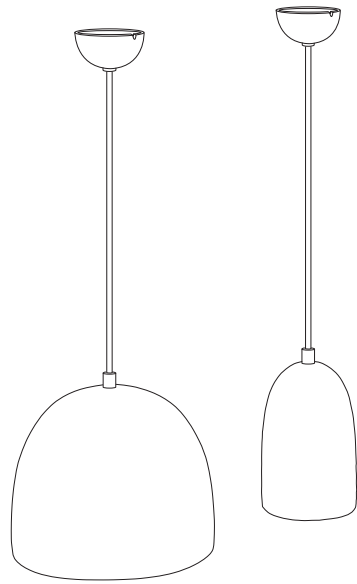
To access further information such as product overview and material descriptions, please visit our website at www.fermliving.com. If you have any questions or comments, please do not hesitate to contact us at info@fermliving.com.

TECHNICAL SPECIFICATIONS

SPECKLE PENDANTS

Voltage:	220-240V, 50Hz
Dimmable:	No
Certification:	CE, IP20, Class II
Socket:	E27 socket base
Recommended Light source:	LED bulb max 12w.

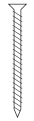
BOX CONTENTS



1x
Lamp

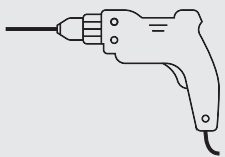


2x
Rawl plugs Ø8mm
(not suitable for drywalls)

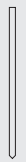


2x
Screws

NEEDED TOOLS



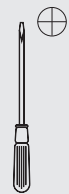
Electrical drill



Pencil



Ruler



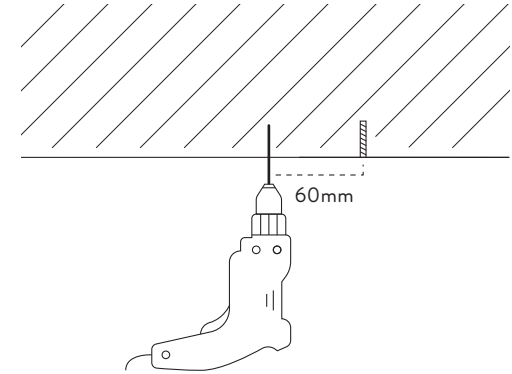
Screwdriver
(Philips/Cross Slot)



Cable cutter

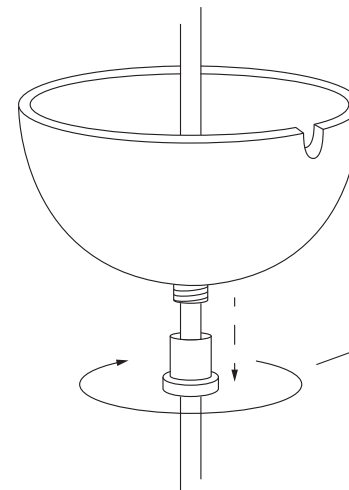
ASSEMBLY PROCESS

1



Drill two holes
in the ceiling with a
Ø8mm drill.

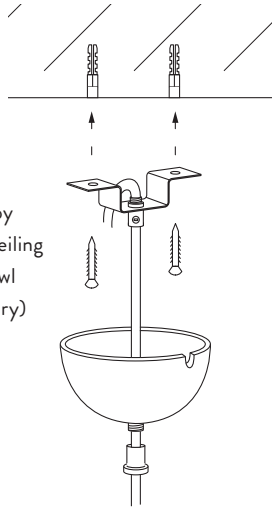
2



Unscrew the locking bolt from
the canopy.

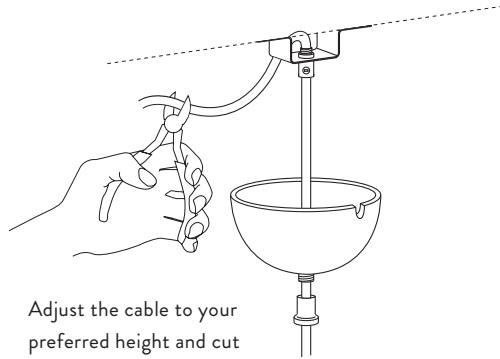
ASSEMBLY PROCESS

3



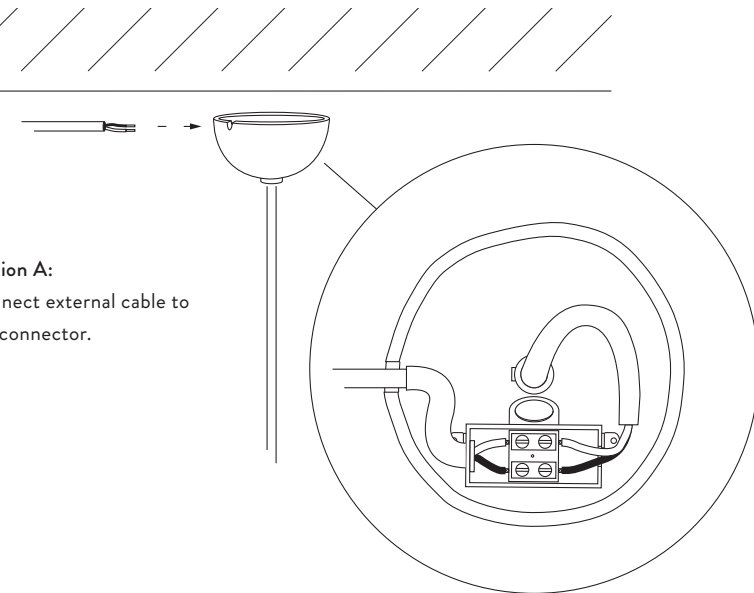
Screw the canopy bracket to the ceiling using the two rawl plugs (if necessary) and screws.

4



Adjust the cable to your preferred height and cut accordingly. *Note: Cables cannot be replaced, so only cut when you are sure you have achieved desired length.*

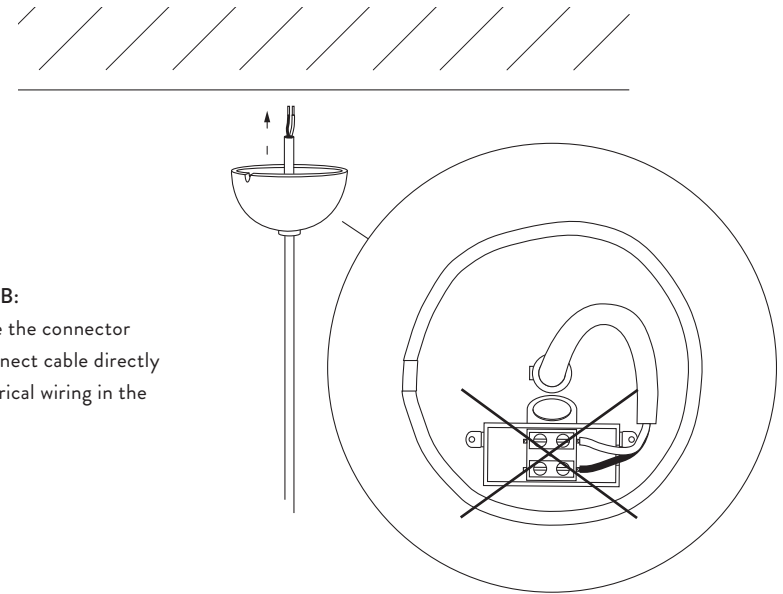
5a



Option A:
Connect external cable to the connector.

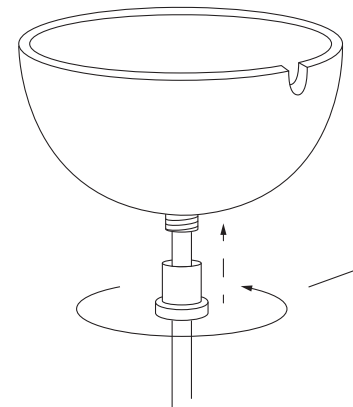
ASSEMBLY PROCESS

5b



Option B:
Remove the connector and connect cable directly to electrical wiring in the ceiling.

6



Push the canopy up to desired position, so that it conceals the ceiling bracket. Tighten the bolt until the canopy is held in place.