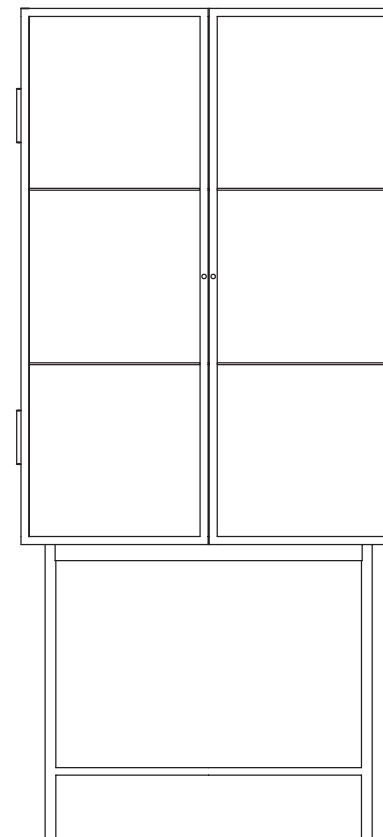


HAZE VITRINE

ASSEMBLY MANUAL

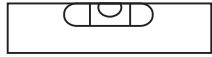


ferm
L I V I N G

NEEDED FOR ASSEMBLING



Min. two people



Spirit level

The Haze Vitrine is made with thin, powder coated steel plates.

The hinge on the doors are welded to the frame, which means that adjustment is only possible by regulating the height of the feet.

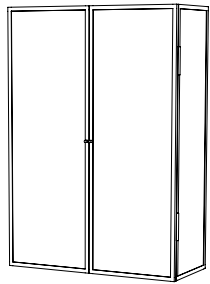
When mounting the cabinet, please ensure that it is level in all directions by adjusting the height of the feet.

If the doors are not totally aligned, mount the wall bracket according to the instruction manual, but please make sure to not tighten the screws completely. Then push gently on the side of the cabinet where the door is lower than the other. When the doors are aligned, tighten the wall brackets completely while still applying pressure to the side of the cabinet.

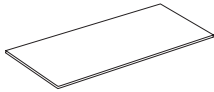
Adjust the feet according to the new position of the cabinet.

Before pushing on the side of the cabinet, it is recommended that you fill it with the items that you have planned to store in it. This is in order to apply some weight to the cabinet, which can also affect the alignment of the doors.

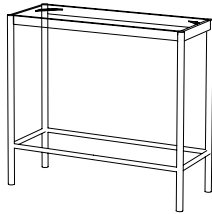
CONTENT OF THE BOX



Cabinet x 1



Shelves x 2



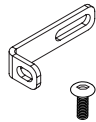
Bottom part x 1



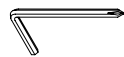
16mm M8 Screws x 4



Hex key 5 mm x 1

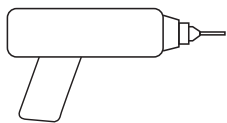


Wall safety set x 2

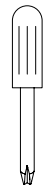


Hex key 4 mm x 1

NEEDED FOR WALL ATTACHMENT



Power drill



Screw driver

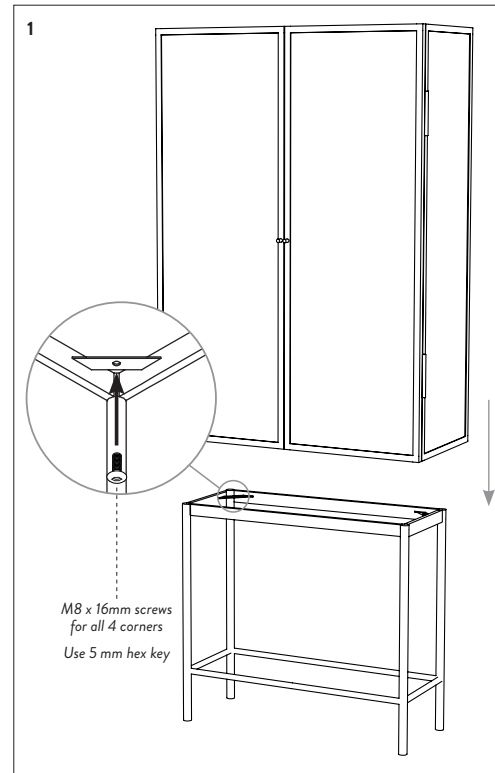


Pencil

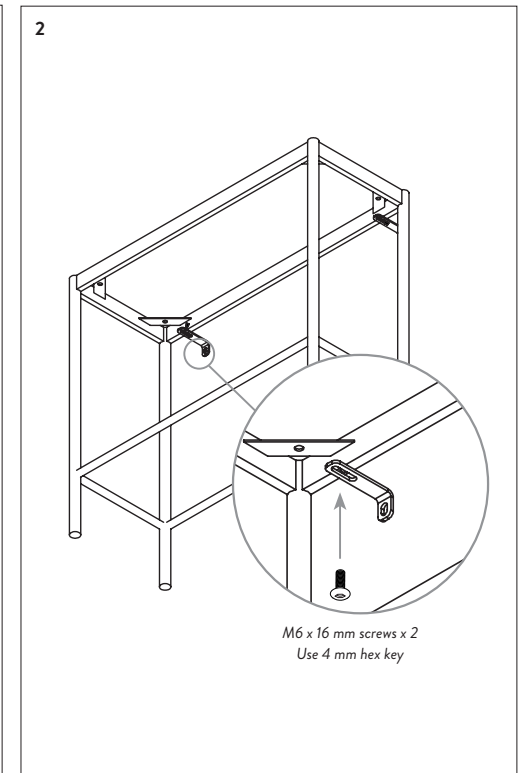
Screws and rawl plugs for attaching the wall safety sets to the wall are not included, as different types of walls require different types of hardware. Please contact your local hardware store for proper advice on which screws/rawl plugs to use on your walls. We do not recommend free-standing placement of Haze Vitrine – do so at own risk.



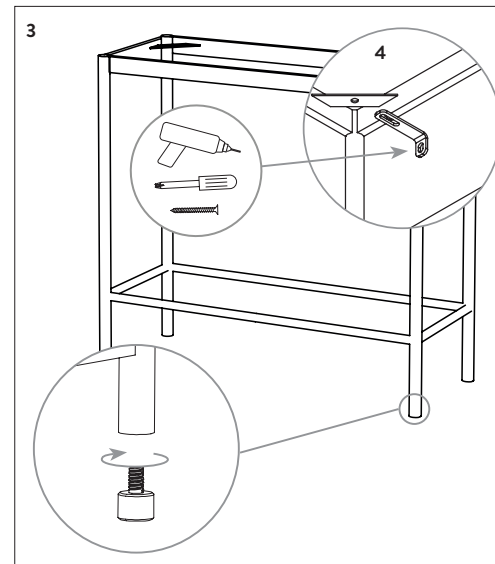
WARNING



1. Place the base of the Haze Vitrine against the wall. Mount the wall safety sets onto the base. Do not fully tighten the screws yet. Place the cabinet onto the base.



2. Connect the base and cabinet in all four corners using the 16mm screws and 5mm hex key. Place the two shelves inside the cabinet.



3. Use the adjustable feet to level the Haze Vitrine. Check if the Vitrine is level using a spirit level. Mount the doors onto the cabinet.

If the doors do not align at once, try gently pressing the top corner of the cabinet when the doors are closed. This will indicate if the legs need to be adjusted lower or higher for the doors to align. If necessary, re-level the Haze Vitrine by adjusting the height of the feet. If further adjustment is needed, remove the door and add one of the included hinge discs to door hinge. Then, mount the door again.

Screw the wall safety sets into the wall. Finally, tighten the screws to the cabinet. The Haze Vitrine is now mounted and ready for use.