

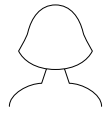
FEVE DESK

ASSEMBLY MANUAL



ferm
L I V I N G

NEEDED FOR ASSEMBLING



One person



1 x Hex key



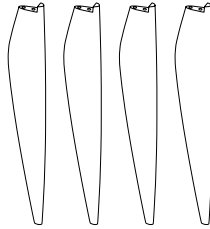
8 x long screws



16 x short screws



4 x Oval metal plates

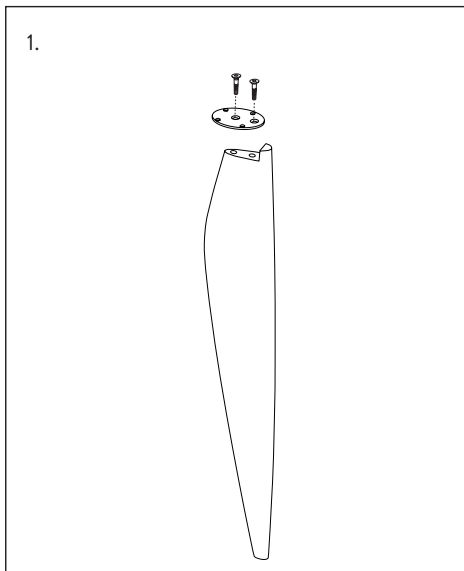
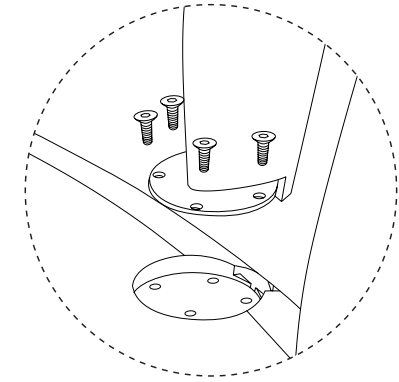


4 x legs

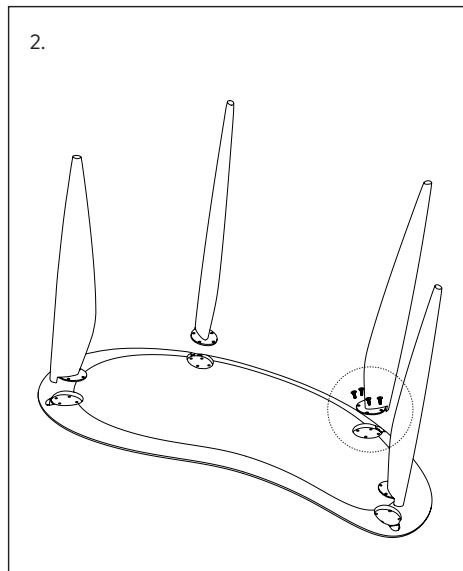


1 x desk top

Tip: Wait until all four screws are partially fixed to the table top before tightening them



1. Attach the oval metal plates to the legs using the long screws. You will need two long screws and one oval metal plate for each leg



2. Mount each leg to the table top using the short screws. You will need four short screws for each leg. Repeat the process until all four legs are fixed to the table top



3. Flip the Feve Desk