

INSTALLATION GUIDE

Basalt Nine Pendant

Thoughtful lighting, responsibly designed in London.

Thank you for making the switch to Tala.
Discover the full Tala family at tala.co.uk

BEFORE STARTING

We recommend the installation of our canopy and pendants is performed by a qualified electrician. Please read the instructions thoroughly before commencing work and keep them for future reference. Please take extreme care when carrying out these instructions.

IMPORTANT

This light fitting must be connected to the earth supply. If your lighting circuit does not have an earth, ask a qualified electrician to provide an earth facility. This light fitting is suitable for indoor use only. This fitting operates on 240V mains voltage. For a list of recommended dimmers to pair with this light fitting, please visit our website.

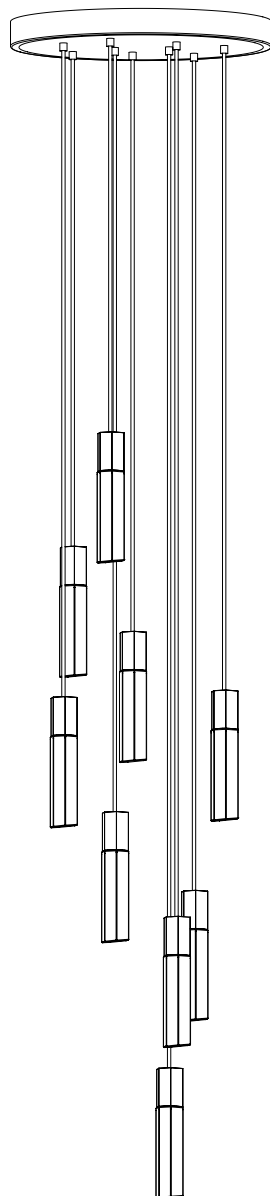
WARNING

You must switch off electricity supply at the mains during installation and maintenance. We strongly recommend that you withdraw the fuse or switch off the circuit breaker whilst work is in progress. Do not only turn off the wall switch. All fittings must be installed in accordance with current Building Regulations and IEE Wiring Regulations.

RECOMMENDED EQUIPMENT

- Small Flat-head and Phillips-head screwdrivers
- Wire strippers
- Insulation tape

Further equipment may be required for fixing to your ceiling.



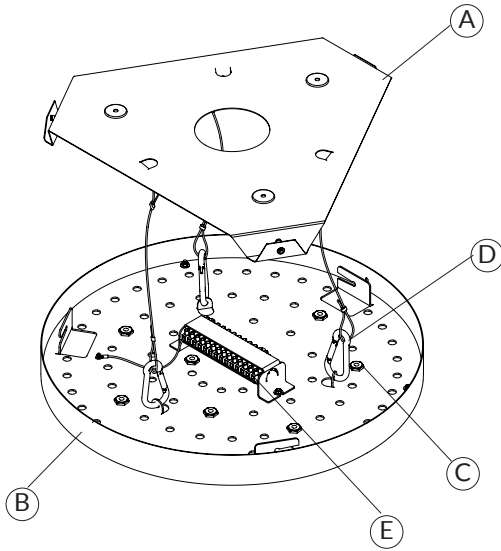
IP20

220 - 240V



SKU - CP-BLK-LRG-BS-01-EU
SKU - CP-BLK-LRG-BS-02-EU

BASALT NINE - COMPONENTS



(A) x1 Ceiling Bracket

(B) x1 Ceiling Plate

(C) x9 Cord Grips

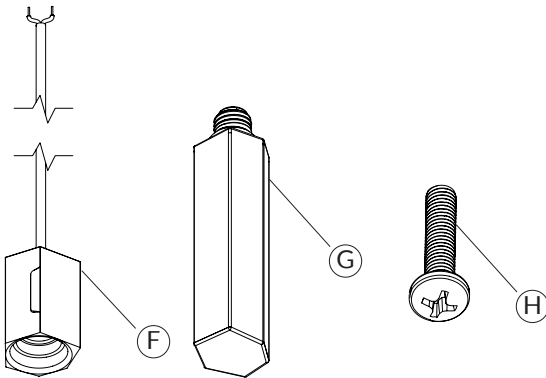
(D) x3 Safety Teathers and Clips

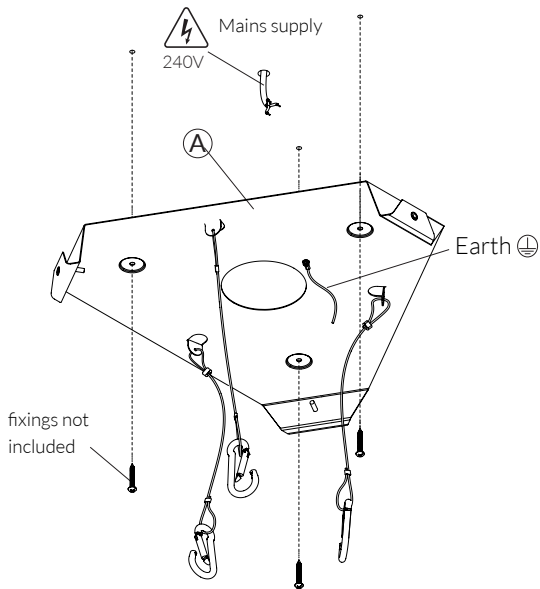
(E) x1 Junction Box

(F) x9 Tala Basalt Pendants

(G) x9 Tala Basalt Bulbs

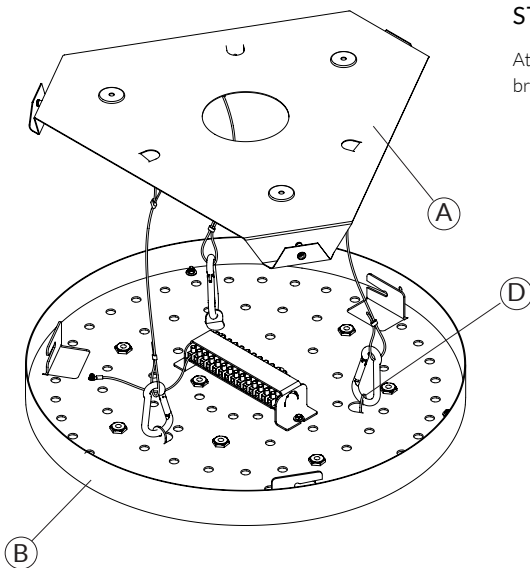
(H) x1 M4 20MM bolt





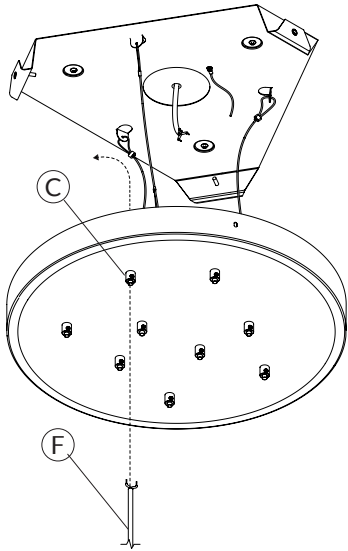
STEP 1

Attach (A) to the ceiling using screws and plug. Make sure to use screws and plugs that are appropriate for the ceiling type.



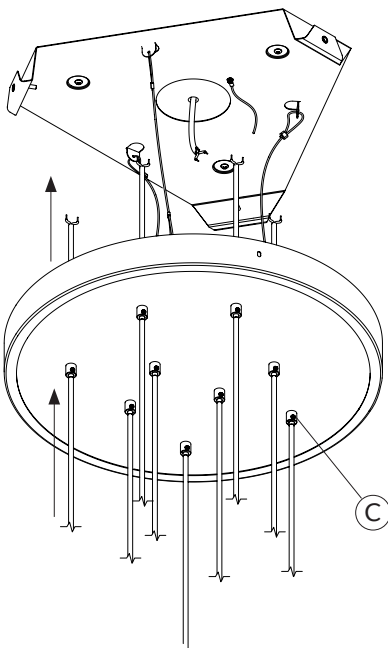
STEP 2

Attach ceiling plate (B) to ceiling bracket (A) using safety tether clips (D)



STEP 3

Thread all nine pendant cables (F) through ceiling plate cord grips (C)



STEP 4

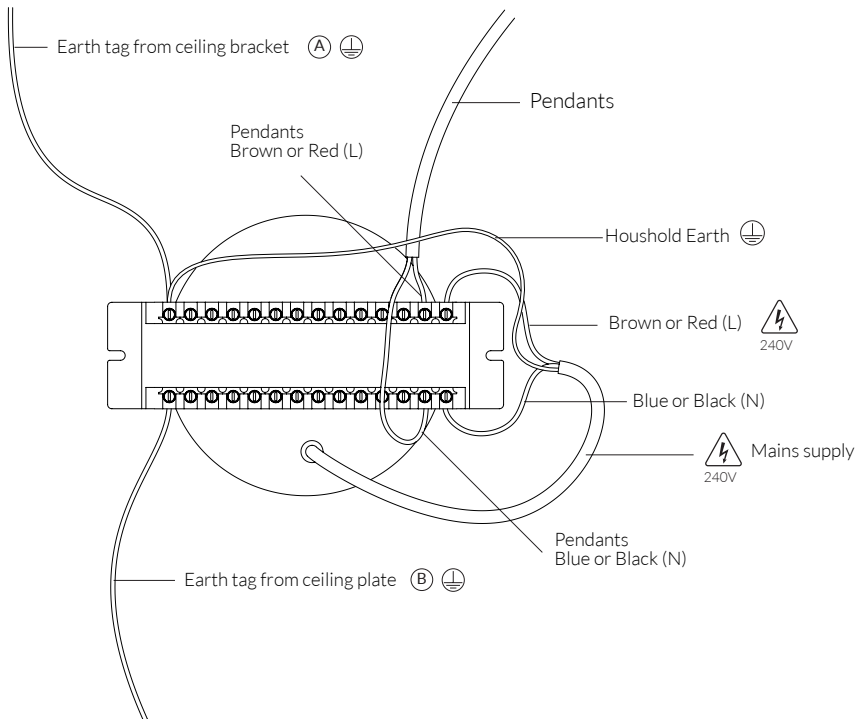
Pull cables through to your desired length. Using a flat head screwdriver, tighten set screws (C) to secure them.

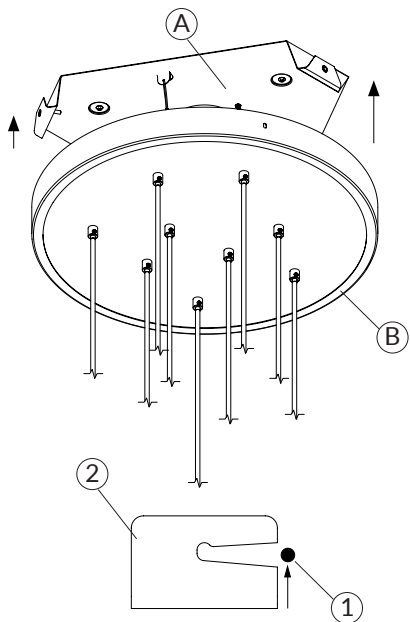
STEP 5

Cut off excess cable and strip wires to expose the copper core. Maintain all double insulation.

STEP 6

Connect the pendants, plate and mains wiring as shown.

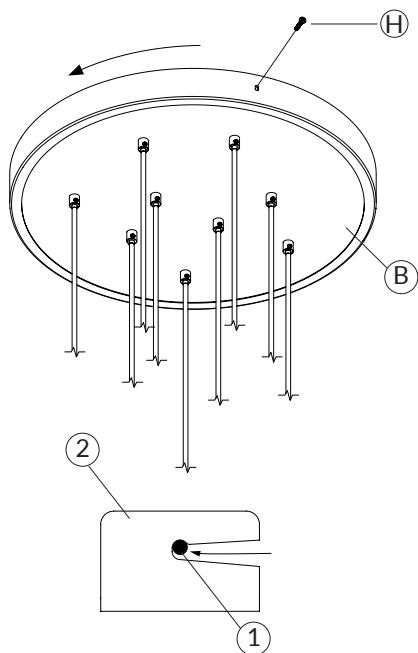




STEP 7

Lift (B) to sit flush with (A)

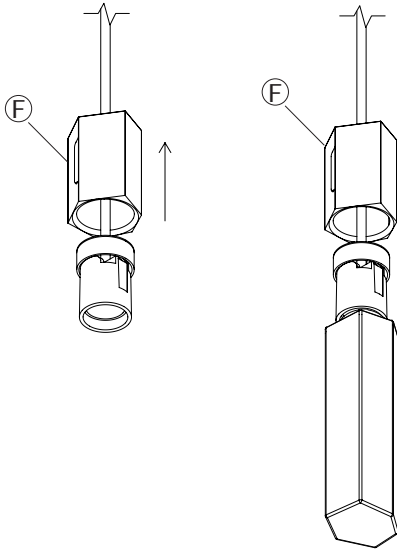
Make sure the pins (1) are located at the opening of the bayonet fitting (2)



STEP 8

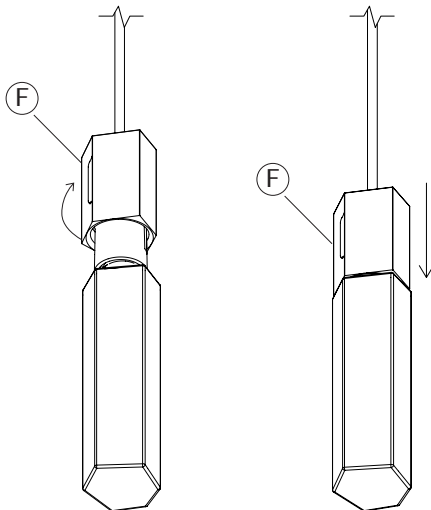
Rotate plate (B) anti-clockwise until the pin is locked into the (1) bayonette mechanism (2)

Secure plate (B) in place using bolt (H)



STEP 9

Lift the metal pendant sleeve (F) and screw the bulb firmly into the socket. Take care to prevent the metal sleeve from dropping onto the glass bulb.

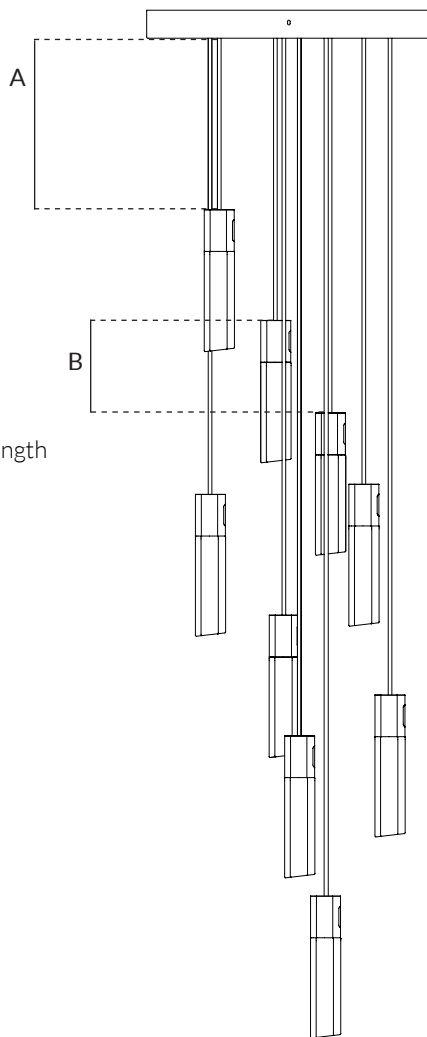


STEP 10

Rotate metal sleeve (F) to align with the contours of the bulb.

Carefully lower the metal sleeve (F) to sit flush with the bulb and make final tweaks to the alignment to achieve intended design.

PENDANTS DISPLAY GUIDE



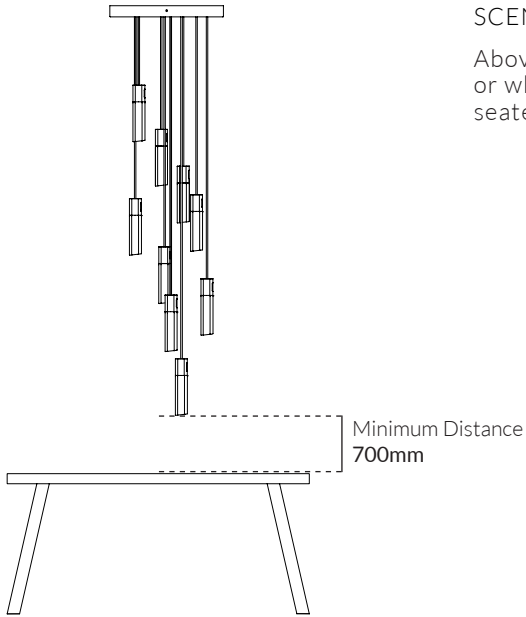
MINIMUM CORD LENGTH (A)

For all bulbs shortest recommended cord length is **350mm**

DISTANCE BETWEEN PENDANTS (B)

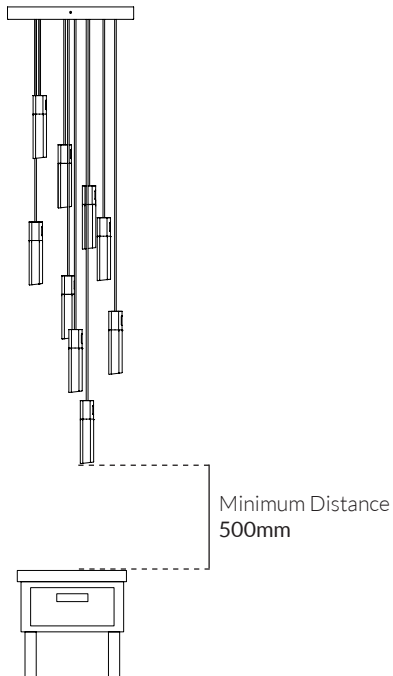
Recommended minimum distance between pendants is **100mm**

PENDANTS - RECOMMENDED CABLE LENGTHS



SCENARIO 1

Above a coffee or dining table,
or where height is required for
seated tasks

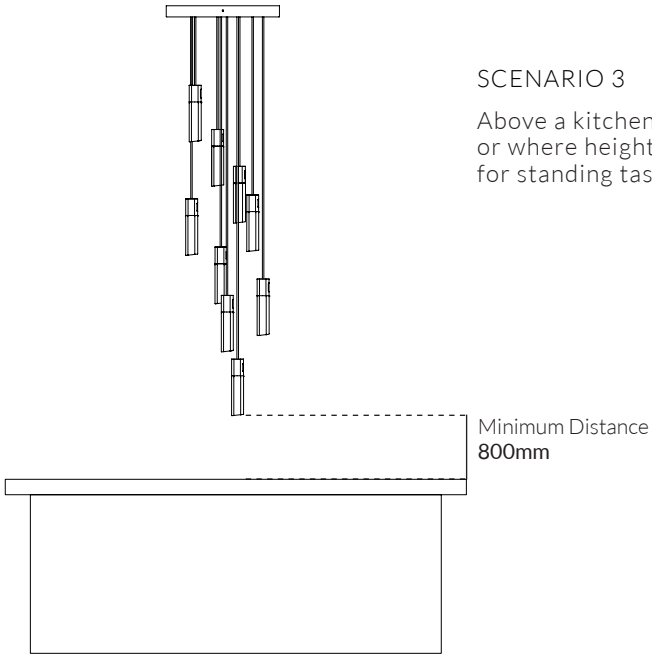


SCENARIO 2

Above side tables, or where
height is required for storage

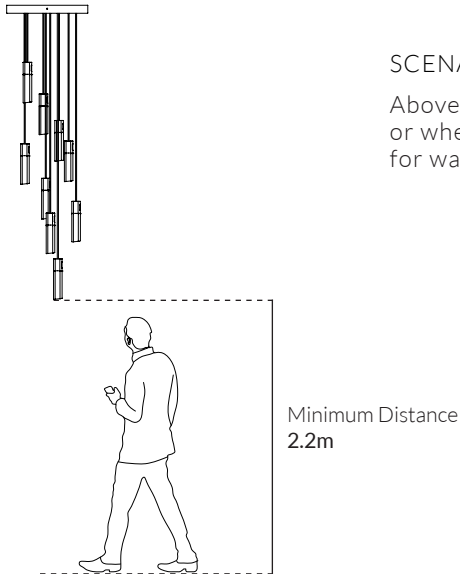
SCENARIO 3

Above a kitchen island or bar,
or where height is required
for standing tasks



SCENARIO 4

Above a stairwell or walkway,
or where height is required
for walking underneath



CARE AND CLEANING

We recommend cleaning with a soft dry cloth. Do not use abrasive materials as these will damage the finish of the product. Do not expose any part of the bulb or pendant to water or moisture.

WARRANTY AND AFTER-CARE

This product is covered by a three year warranty. Within this time, we will replace any parts that show functional defects or malfunctions. Please report any signs of fault or damage to our Customer Service team, along with supporting visual evidence, by emailing: customerservice@tala.co.uk.

Join the Community

Instagram: @tala | Facebook: talaHQ | Pinterest: TalaLED | Tag: lighttoliveby
Tala Studios, 25B Vyner Street, London E2 9DG | +44 20 3026 3246 | hello@tala.co.uk