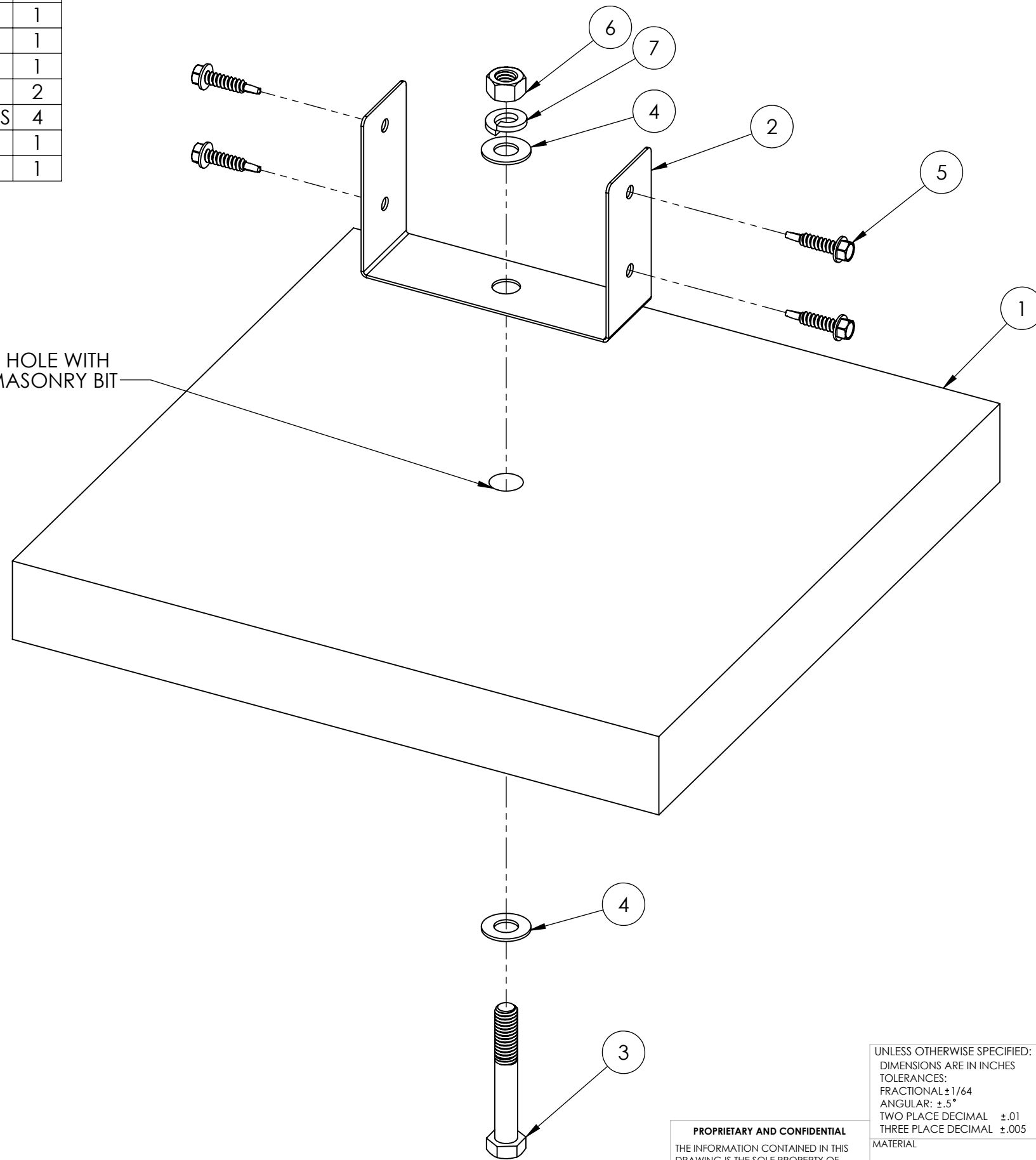


ITEM NO.	DESCRIPTION	QTY.
1	CONCRETE PAVER 12" X 12" X 1 1/2"	1
2	BASE TUBE BRACKET SS	1
3	HHCS 3/8-16 X 2 1/2 SS	1
4	FLAT WASHER 3/8 18-8 SS	2
5	HEX HEAD SELF DRILLING SCREW #12 X 1 18-8 SS	4
6	HEX NUT 3/8-16 18-8 SS	1
7	LOCK WASHER 3/8 18-8 SS	1

DRILL HOLE WITH
3/8 MASONRY BIT



PROPRIETARY AND CONFIDENTIAL
THE INFORMATION CONTAINED IN THIS DRAWING IS THE SOLE PROPERTY OF ARDEN MARK MEDICAL DEVICES, LLC. ANY REPRODUCTION IN PART OR AS A WHOLE WITHOUT THE WRITTEN PERMISSION OF ARDEN MARK MEDICAL DEVICES, LLC. IS PROHIBITED.

UNLESS OTHERWISE SPECIFIED:
DIMENSIONS ARE IN INCHES
TOLERANCES:
FRACTIONAL ± 1/64
ANGULAR: ± .5°
TWO PLACE DECIMAL ± .01
THREE PLACE DECIMAL ± .005

AMERICAN FISH TREE SODDY DAISY, TN		
TITLE: ANCHOR BRACKET AND WEIGHT ASSY		
SIZE B	DWG. NO. 3007	REV A
DO NOT SCALE DRAWING	SCALE: 1:2	SHEET 1 OF 1