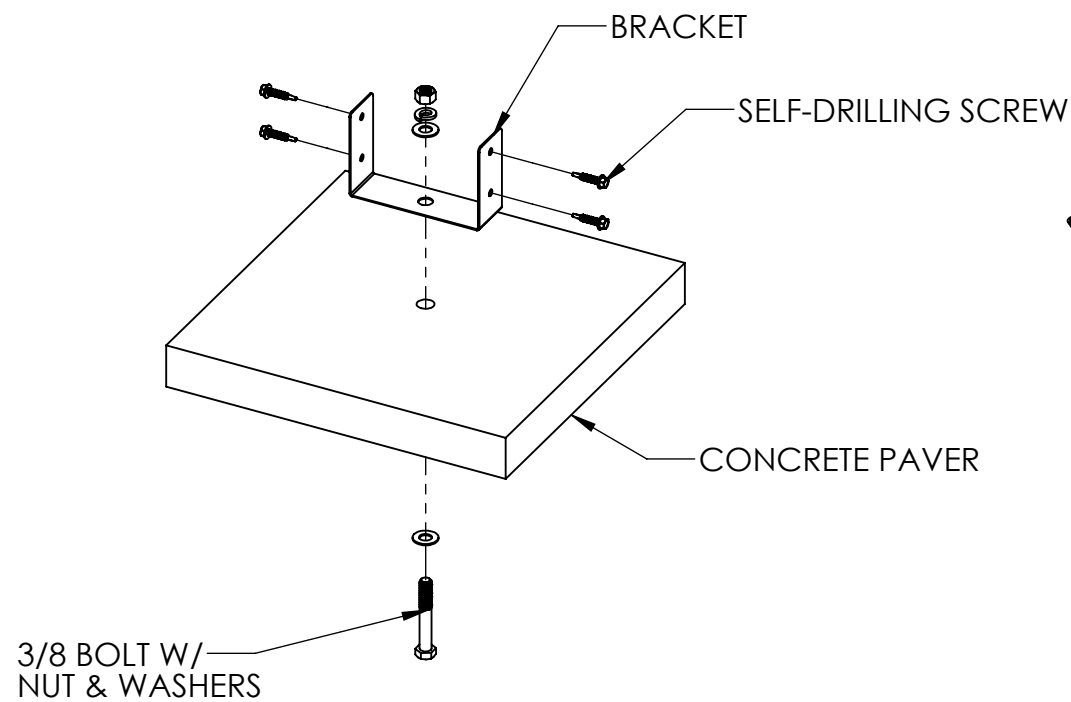
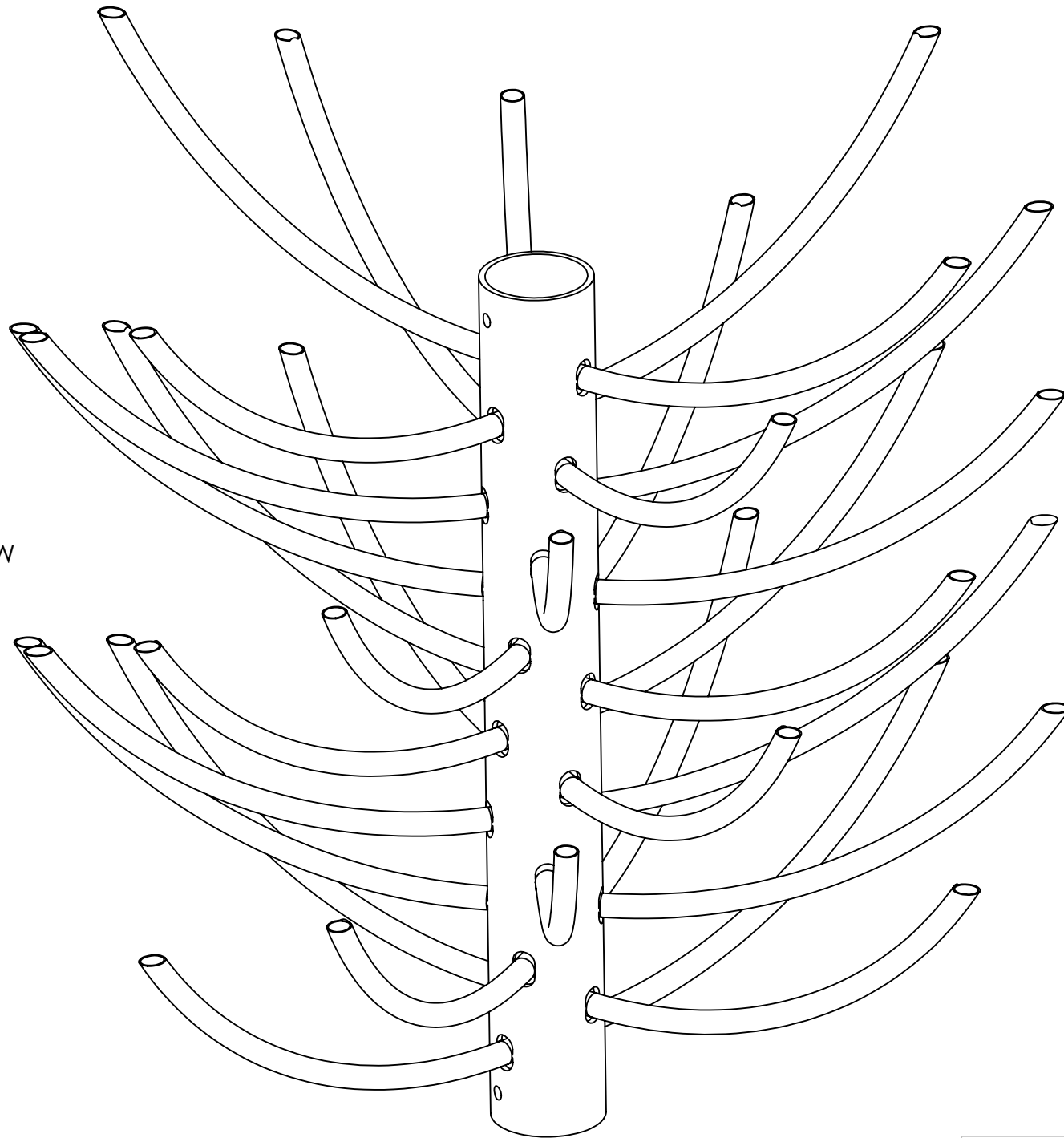


ITEM NO.	PART NUMBER	DESCRIPTION	QTY.
1	1019	TRUNK, 36" FOR 3/4 TUBE, HELIX	1
2	1009	SIL-O-FLEX SIDR 15 TUBING 3/4	16



**OPTION #1
304 SS ANCHOR
BRACKET FOR
CONCRETE PAVER
STONE. PAVER NOT
INCLUDED**



PROPRIETARY AND CONFIDENTIAL
THE INFORMATION CONTAINED IN THIS DRAWING IS THE SOLE PROPERTY OF AMERICAN FISH ATTRACTOR AND HABITAT, LLC. ANY REPRODUCTION IN PART OR AS A WHOLE WITHOUT THE WRITTEN PERMISSION OF AMERICAN FISH ATTRACTOR AND HABITAT, LLC IS PROHIBITED.

UNLESS OTHERWISE SPECIFIED:
DIMENSIONS ARE IN INCHES
TOLERANCES:
FRACTIONAL ± 1/64
ANGULAR: ± 5°
TWO PLACE DECIMAL ± .01
THREE PLACE DECIMAL ± .005

MATERIAL

FINISH

DO NOT SCALE DRAWING

AMERICAN FISH TREE
SODDY DAISY, TN

TITLE:
**TOP TRUNK ASSY-36"-3/4
TUBE EXTENSION**

SIZE **B** DWG. NO. 3017

REV **A**

SCALE: 1:6

SHEET 1 OF 1