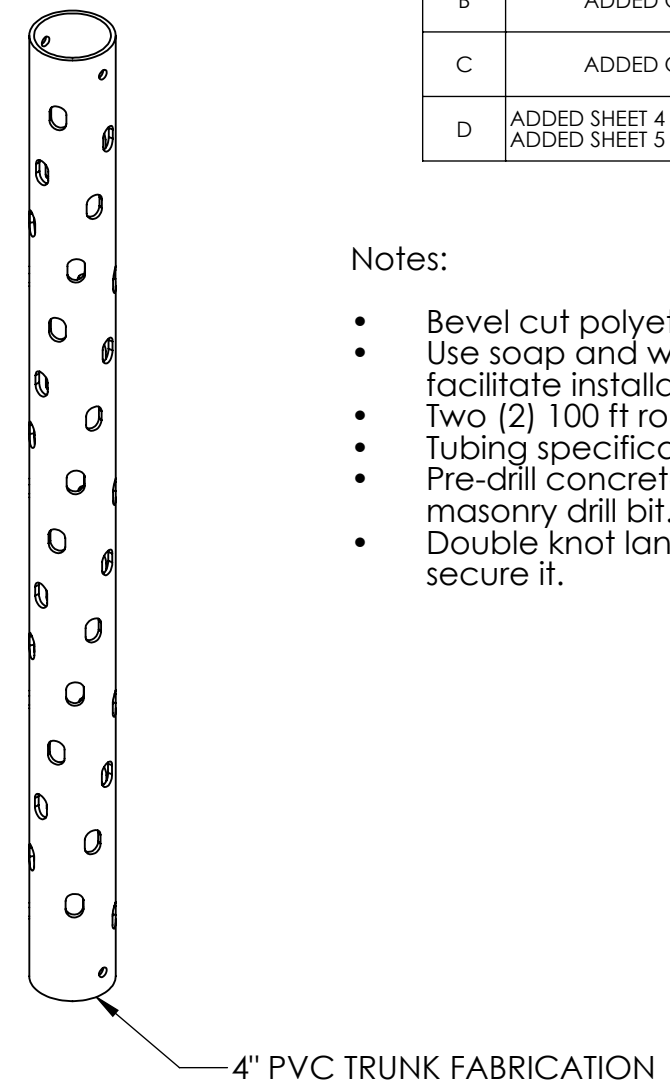
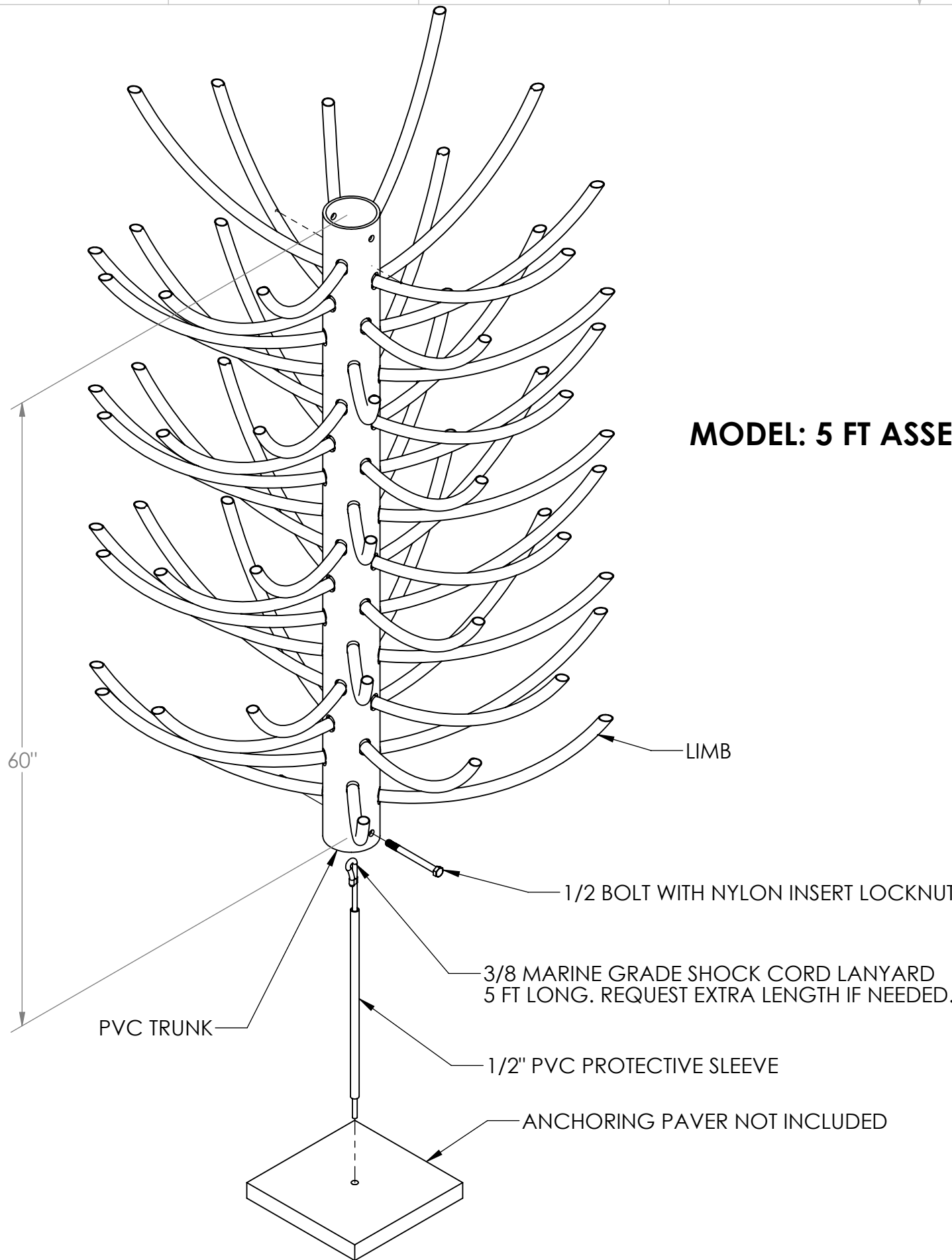


REVISIONS			
REV.	DESCRIPTION	DATE	APPROVED
A	UPDATED VIEW TO HELIX LIMB PATTERN	2/20/2023	DH
B	ADDED OPTION 2 SHEET 2	4/14/2023	DH
C	ADDED OPTION 3 SHEET 3	7/13/2023	DH
D	ADDED SHEET 4 - 8FT W/COUPLER ADDED SHEET 5 - 3FT ASSEMBLY	8/29/2023	DH

MODEL: 5 FT ASSEMBLY

Notes:

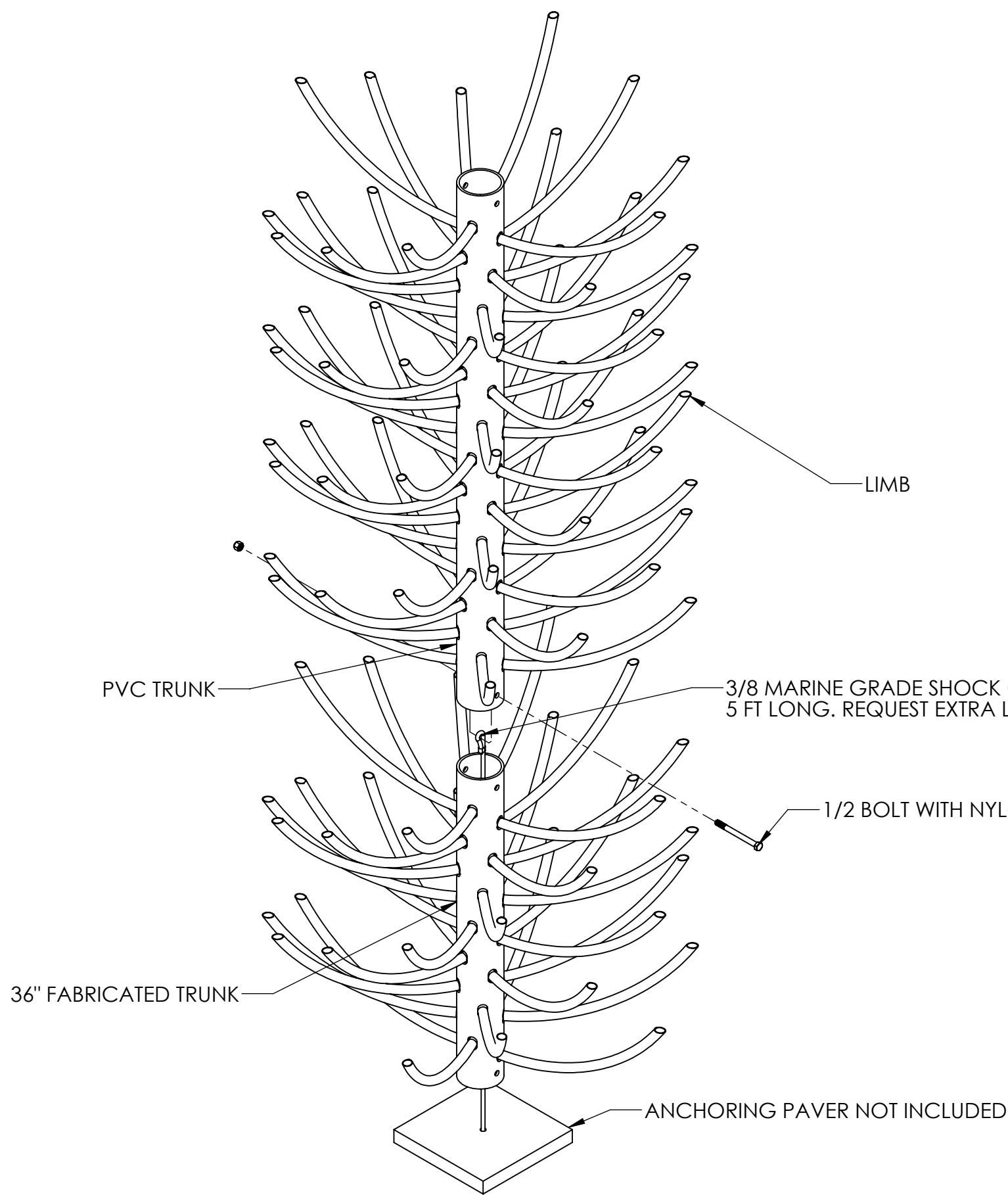
- Bevel cut polyethylene tubing into 6 ft lengths.
- Use soap and water to lubricate tube ends to facilitate installation.
- Two (2) 100 ft rolls of tubing material is required.
- Tubing specification is 3/4" SIDR 15 at 125 psi.
- Pre-drill concrete paving stone with 1/2" masonry drill bit.
- Double knot lanyard below paving stone to secure it.



PROPRIETARY AND CONFIDENTIAL
 THE INFORMATION CONTAINED IN THIS DRAWING IS THE SOLE PROPERTY OF AMERICAN FISH ATTRACTOR AND HABITAT, LLC. ANY REPRODUCTION IN PART OR AS A WHOLE WITHOUT THE WRITTEN PERMISSION OF AMERICAN FISH ATTRACTOR AND HABITAT, LLC IS PROHIBITED.

UNLESS OTHERWISE SPECIFIED:
 DIMENSIONS ARE IN INCHES
 TOLERANCES:
 FRACTIONAL ± 1/64
 ANGULAR: ± .5°
 TWO PLACE DECIMAL ± .01
 THREE PLACE DECIMAL ± .005

AMERICAN FISH TREE SODDY DAISY, TN		
TITLE: PVS SUSPENDING COVER, LANYARD & WEIGHT		
SIZE B	DWG. NO. 3009	REV D
DO NOT SCALE DRAWING	SCALE: 1:10	SHEET 1 OF 5



Notes:

- Bevel cut polyethylene tubing into 6 ft lengths.
- Use soap and water to lubricate tube ends to facilitate installation.
- Two (2) 100 ft rolls of tubing material is required.
- Tubing specification is 3/4" SIDR 15 at 125 psi.
- Pre-drill concrete paving stone with 1/2" masonry drill bit.
- Double knot lanyard below paving stone to secure it.

MODEL: 8 FT ASSEMBLY

PROPRIETARY AND CONFIDENTIAL
 THE INFORMATION CONTAINED IN THIS DRAWING IS THE SOLE PROPERTY OF AMERICAN FISH ATTRACTOR AND HABITAT, LLC. ANY REPRODUCTION IN PART OR AS A WHOLE WITHOUT THE WRITTEN PERMISSION OF AMERICAN FISH ATTRACTOR AND HABITAT, LLC IS PROHIBITED.

UNLESS OTHERWISE SPECIFIED:
 DIMENSIONS ARE IN INCHES
 TOLERANCES:
 FRACTIONAL ± 1/64
 ANGULAR: ± .5°
 TWO PLACE DECIMAL ± .01
 THREE PLACE DECIMAL ± .005

AMERICAN FISH TREE SODDY DAISY, TN		
TITLE: PVS SUSPENDING COVER, LANYARD & WEIGHT		
SIZE B	DWG. NO. 3009	REV D
SCALE: 1:12		SHEET 2 OF 5

60" FABRICATED TRUNK

4" PVC COUPLER

LIMB

1/2 BOLT WITH NYLON INSERT LOCKNUT

3/8 MARINE GRADE SHOCK CORD LANYARD.
REQUEST EXTRA LENGTH IF NEEDED.

1/2" PVC PROTECTIVE SLEEVE

60" FABRICATED TRUNK

ANCHORING PAVER NOT INCLUDED

Notes:

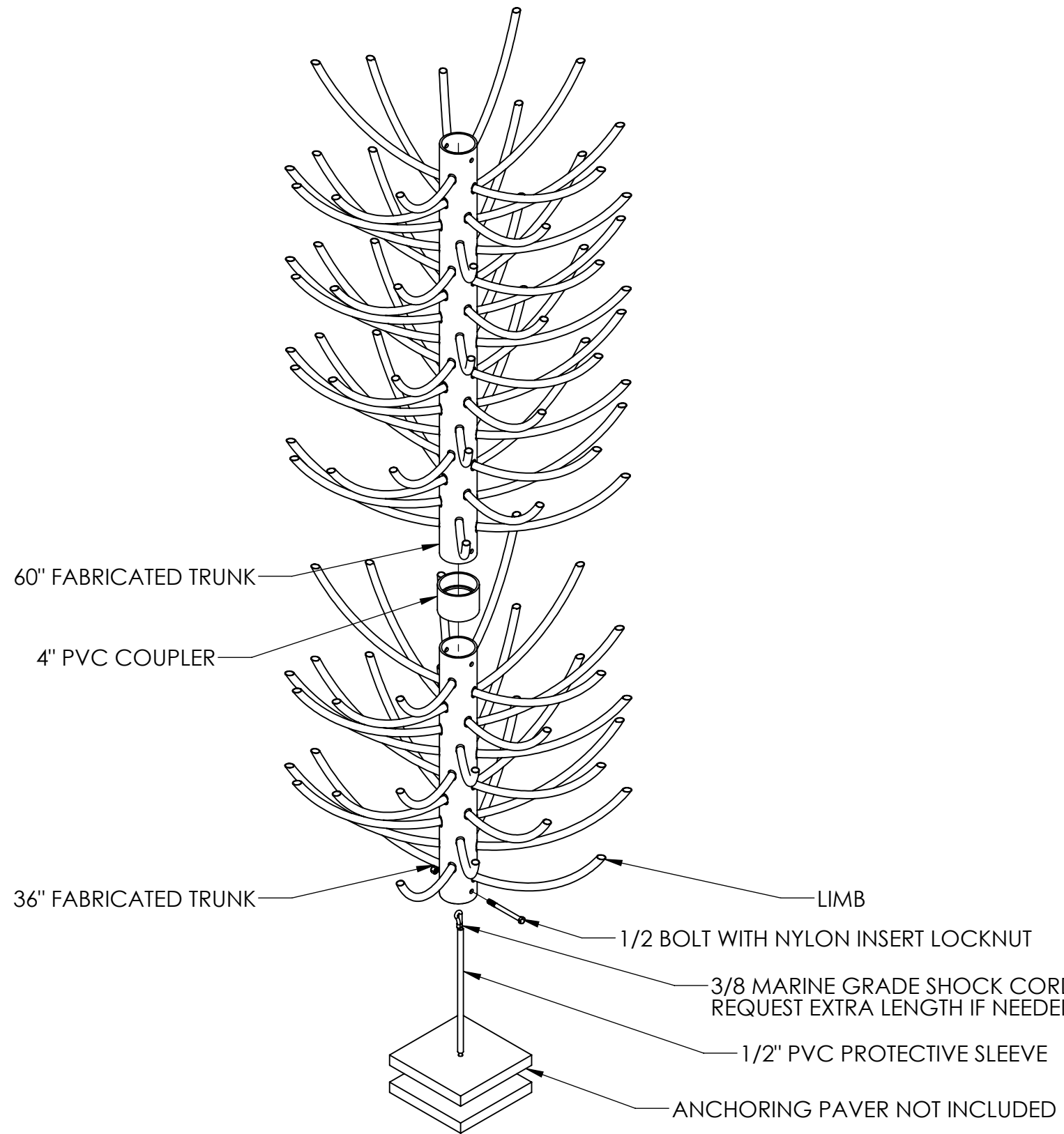
- Bevel cut polyethylene tubing into 6 ft lengths.
- Use soap and water to lubricate tube ends to facilitate installation.
- Two (2) 100 ft rolls of tubing material is required.
- Tubing specification is 3/4" SIDR 15 at 125 psi.
- Pre-drill concrete paving stone with 1/2" masonry drill bit.
- Double knot lanyard below paving stone to secure it.

MODEL: 10 FT ASSEMBLY W/COUPLER

PROPRIETARY AND CONFIDENTIAL
THE INFORMATION CONTAINED IN THIS DRAWING IS THE SOLE PROPERTY OF AMERICAN FISH ATTRACTOR AND HABITAT, LLC. ANY REPRODUCTION IN PART OR AS A WHOLE WITHOUT THE WRITTEN PERMISSION OF AMERICAN FISH ATTRACTOR AND HABITAT, LLC IS PROHIBITED.

UNLESS OTHERWISE SPECIFIED:
DIMENSIONS ARE IN INCHES
TOLERANCES:
FRACTIONAL ± 1/64
ANGULAR: ± .5°
TWO PLACE DECIMAL ± .01
THREE PLACE DECIMAL ± .005

AMERICAN FISH TREE SODDY DAISY, TN		
TITLE: PVS SUSPENDING COVER, LANYARD & WEIGHT		
SIZE B	DWG. NO. 3009	REV D
SCALE: 1:16		SHEET 3 OF 5



Notes:

- Bevel cut polyethylene tubing into 6 ft lengths.
- Use soap and water to lubricate tube ends to facilitate installation.
- Two (2) 100 ft rolls of tubing material is required.
- Tubing specification is 3/4" SIDR 15 at 125 psi.
- Pre-drill concrete paving stone with 1/2" masonry drill bit.
- Double knot lanyard below paving stone to secure it.

MODEL: 8 FT ASSEMBLY W/ COUPLER

PROPRIETARY AND CONFIDENTIAL
 THE INFORMATION CONTAINED IN THIS DRAWING IS THE SOLE PROPERTY OF AMERICAN FISH ATTRACTOR AND HABITAT, LLC. ANY REPRODUCTION IN PART OR AS A WHOLE WITHOUT THE WRITTEN PERMISSION OF AMERICAN FISH ATTRACTOR AND HABITAT, LLC IS PROHIBITED.

UNLESS OTHERWISE SPECIFIED:
 DIMENSIONS ARE IN INCHES
 TOLERANCES:
 FRACTIONAL ±1/64
 ANGULAR: ±.5°
 TWO PLACE DECIMAL ±.01
 THREE PLACE DECIMAL ±.005

AMERICAN FISH TREE SODDY DAISY, TN		
TITLE: PVS SUSPENDING COVER, LANYARD & WEIGHT		
SIZE B	DWG. NO. 3009	REV D
SCALE: 1:16		SHEET 4 OF 5

D

C

B

A

D

C

B

A

Notes:

- Bevel cut polyethylene tubing into 6 ft lengths.
- Use soap and water to lubricate tube ends to facilitate installation.
- One (1) 100 ft rolls of tubing material is required.
- Tubing specification is 3/4" SIDR 15 at 125 psi.
- Pre-drill concrete paving stone with 1/2" masonry drill bit.
- Double knot lanyard below paving stone to secure it.

MODEL: 3 FT ASSEMBLY

36" FABRICATED TRUNK

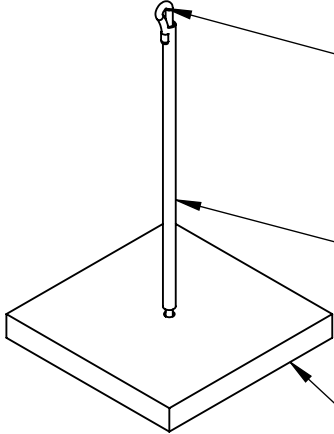
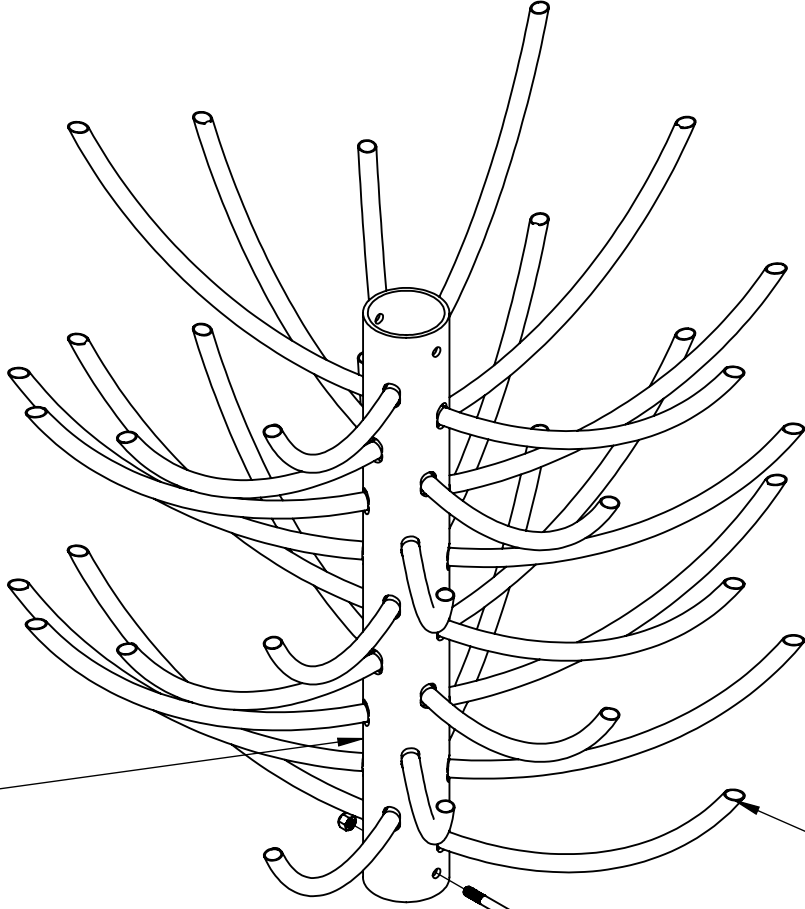
LIMB

1/2 BOLT WITH NYLON INSERT LOCKNUT

3/8 MARINE GRADE SHOCK CORD LANYARD.
REQUEST EXTRA LENGTH IF NEEDED.

1/2" PVC PROTECTIVE SLEEVE

ANCHORING PAVER NOT INCLUDED



PROPRIETARY AND CONFIDENTIAL
THE INFORMATION CONTAINED IN THIS DRAWING IS THE SOLE PROPERTY OF AMERICAN FISH ATTRACTOR AND HABITAT, LLC. ANY REPRODUCTION IN PART OR AS A WHOLE WITHOUT THE WRITTEN PERMISSION OF AMERICAN FISH ATTRACTOR AND HABITAT, LLC IS PROHIBITED.

UNLESS OTHERWISE SPECIFIED:
DIMENSIONS ARE IN INCHES
TOLERANCES:
FRACTIONAL ±1/64
ANGULAR: ±.5°
TWO PLACE DECIMAL ±.01
THREE PLACE DECIMAL ±.005

AMERICAN FISH TREE SODDY DAISY, TN		
TITLE: PVS SUSPENDING COVER, LANYARD & WEIGHT		
SIZE B	DWG. NO. 3009	REV D
SCALE: 1:10		SHEET 5 OF 5