

BETOPPER[®]

**LED PAR
USER MANUAL**



Model : LPC017N

Please read the manual carefully before using

Par Light User's Manual

Model : LPC017N

Attention

1. Please read these operating instructions carefully to familiarize you with basic operations of this unit BEFORE USE.
2. Without permitted, it is prohibited to spread the contents of this manual to others.
3. This manual is only to provide related information, and the contents of this manual will be changed at any time without notice.
4. Unless the instructions have already stated, please do not freely modified the unit.

Safety Tips

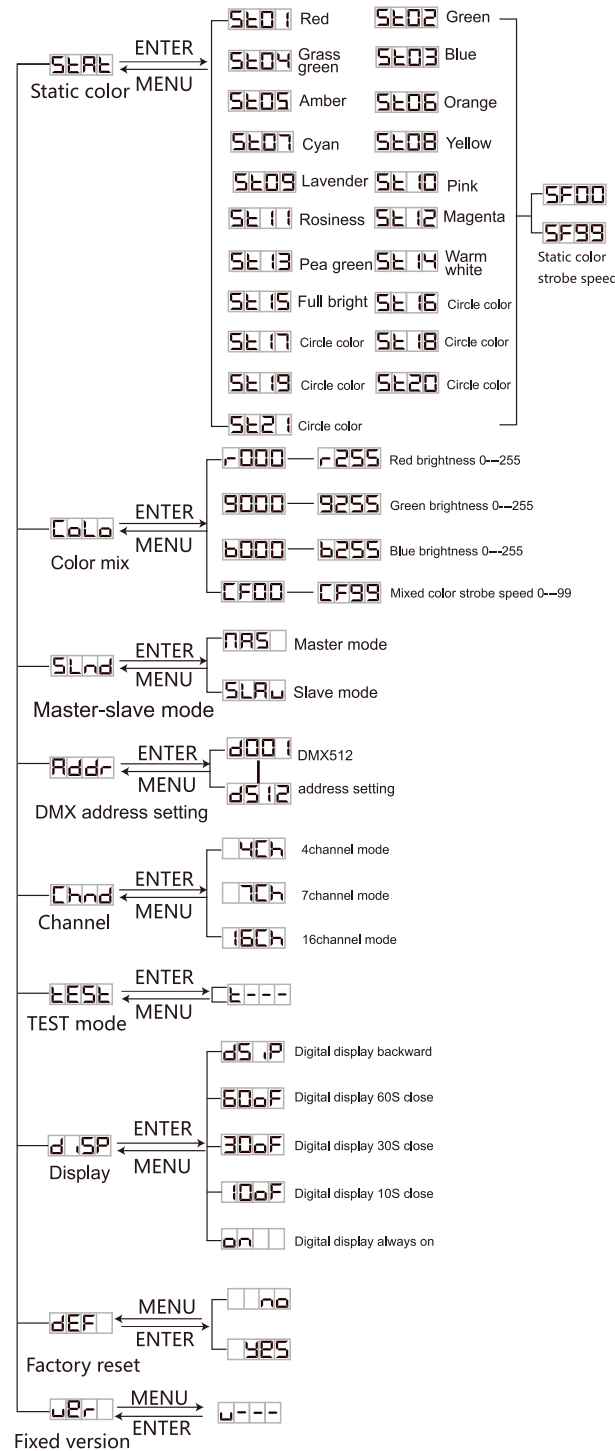
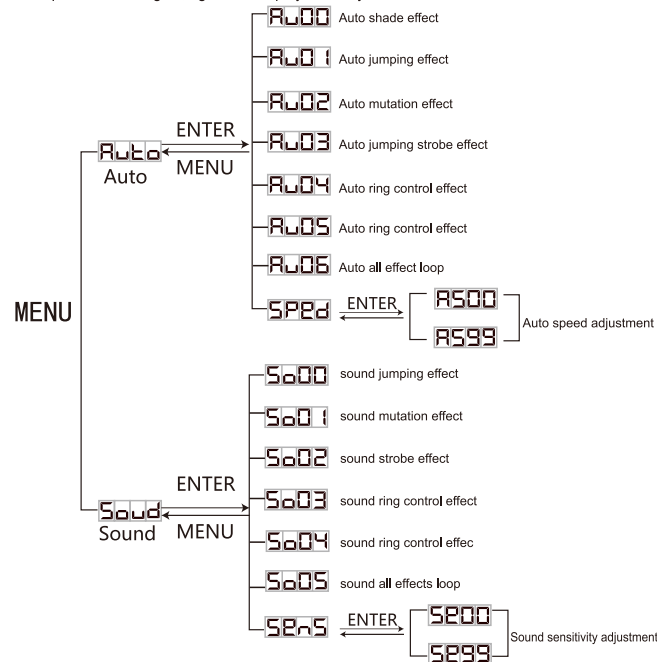
1. Before installation and maintenance, please confirm the power is OFF, make sure that the ventilation around the unit is good.
2. The lighting is designed for indoor demonstration, please do not use this product in a wet environment for long-term.
3. The use and maintenance of this unit should avoid contact with water. when using it outdoor, please takewaterproofing measures.
4. Personnel, who to take the installation, operation and maintenance, must be familiar with the lighting performance. Most of the damage is resulted from unfamiliar with its performance.
5. Please do not face up to the luminous unit for a long time, so as not to cause discomfort to your eyes.
6. Please often wipe the unit with a clean cloth.

Technical parameters

Model	LPC017N
Light source	54*3W(3-in-1)
Lifespan	50000 hours
Power supply	AC 100 ~ 240V / 50Hz-60 Hz
Rating power	175W
Max Slave Qty	100V AC/8 220V AC/16
Play mode	Auto/Sound/DMX/Master-slave
Channel	4/7/16
Effect	color jumping+mutation+strobe+ring control
Dimensions	210*210*104MM
N.W.	1.7KG
Standard configuration	Power cable , user manual

Operation Instructions

1. Press "Enter" button (>5s), digital will display rotation 180° (reverse display), loosen the button then press "Enter" again, digital will display normally.



4 Channel mode menu

Channel	Value	Function
CH 1	000-255	Red 0%-100%
CH 2	000-255	Green 0%-100%
CH 3	000-255	Blue 0%-100%
CH 4	000-009	Strobe stop
	010-255	Strobe speed slow→fast(1HZ→20HZ)

7 Channel/16 Channel mode menu

Channel	Channel	Value	Function
CH 1	CH 1	000-255	Master dimmer 0%-100%
CH 2	CH 2	000-009	Strobe stop
		010-255	Strobe speed slow→ fast(1HZ→20HZ)
CH 3	CH 3	000-255	Auto speed slow→ auto speed fast
		000-004	Blackout
		005-009	Red
		010-014	Green
		015-019	Blue
		020-024	Grass green
		025-029	Amber
		030-034	Orange
		035-039	Yellow
		040-044	Cyan
		045-049	Lavender
		050-054	Pink
		055-059	Rosiness
		060-064	Magenta
CH 4	CH 4	065-069	Pea green
		070-074	Orange
		075-079	White
		080-084	Ring control color
		085-089	Ring control color
		090-094	Ring control color
		095-099	Ring control color
		100-104	Ring control color
		105-109	Ring control color
		110-129	Colour jumping
		130-149	Colour snap
		150-169	Colour strobe
		170-189	Colour fade
		190-209	Ring control effect 1
		210-229	Ring control effect 1
		230-249	color jumping+mutation+strobe+ring control
		250-255	Sound control
CH 5	CH 5	000-255	Red 0%-100%
CH 6	CH 6	000-255	Green 0%-100%
CH 7	CH 7	000-255	Blue 0%-100%
	CH 8	000-255	Red 0%-100%
	CH 9	000-255	Green 0%-100%
	CH 10	000-255	Blue 0%-100%
	CH 11	000-255	Red 0%-100%
	CH 12	000-255	Green 0%-100%
	CH 13	000-255	Blue 0%-100%
	CH 14	000-255	Red 0%-100%
	CH 15	000-255	Green 0%-100%
	CH 16	000-255	Blue 0%-100%