

Light after-sales service

Please fill in the following content properly and keep it safe for future maintenance. Accordingly, for your each purchase of our systems we have archive Serial number and parameters for future reference.

Product warranty card

Testing : Warranty : Non-warranty :

Mode : _____

Serial No. : _____

Distributor : _____

Address : _____

Tel : _____

1. All device products purchased from our company (and authorized agents) are entitled to a one-year warranty service for light sources, machinery, and electronics if they are used correctly; if there is no warranty, the company can also provide paid maintenance services according to the actual situation;

2. The following situations are not covered by the free warranty:

- ① The product has no serial number;
- ② The prohibition mark is damaged or there are obvious signs of self-disassembly;
- ③ The product has no replaceable components or components required by customized products, and unauthorized disassembly or replacement of components without permission leads to problems;
- ④ Failure or damage caused by improper use or improper maintenance or modification;
- ⑤ Damage caused by failure to operate in accordance with the instructions or the harsh environment of use;
- ⑥ Damage caused by impact during installation or handling by the purchaser;
- ⑦ For repaired or replaced products, the warranty will not be extended, and the power will decay slowly according to the normal life span, which is not within the scope of free warranty;
- ⑧ Failure and damage caused by fire, earthquake, flood, lightning and other natural disasters or abnormal power supply voltage

3. The company reserves the right of final analysis of the above terms.

If there is a problem with the product, please contact the company (or agent) in time, and we will solve it in the shortest time. At the same time, we sincerely hope that you can provide valuable comments and suggestions on our products, and we will spare no effort to improve our products.

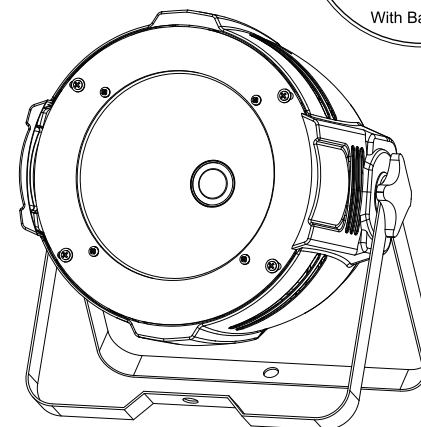
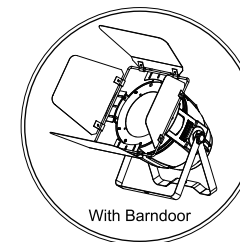
BETOPPER®

User Manual

COB Par light

LC200W / LC200W-H / LC200W-HB

(English)



Please read this manual carefully before using the product

Safety Notes

- Please read the following notes carefully because they include important safety information about the installation, usage, and maintenance of this product.
- Keep this User Manual for future consultation. If you sell this product, be sure that they also receive this document.
- Always make sure that the voltage of the outlet to which you are connecting this product is within the range stated on the decal or rear panel of the fixture.
- This product is for indoor use only! To prevent risk of fire or shock, do not expose this fixture to rain or moisture.
- Make sure there are no flammable materials close to the unit while operating.
- Always install this product in a location with adequate ventilation, at least 20 in (50 cm) from adjacent surfaces.
- Be sure that no ventilation slots on the unit's housing are blocked.
- Always disconnect this product from the power source before cleaning it or replacing fuse.
- Make sure to replace the fuse with another of the same type and rating
- If mounting this product overhead, always secure it to a fastening device using a safety cable.
- The maximum ambient temperature (Ta) is 104°F (40°C).
- Do not operate this product at higher temperatures.
- In the event of a serious operating problem, stop using the unit immediately.
- Never connect this product to a dimmer pack.
- Make sure the power cord is not crimped or damaged.
- Never disconnect the power cord by pulling or tugging on the cord.
- Never carry a fixture from the power cord or any moving part. Always use the hanging/mounting bracket or the handles.
- Always avoid direct eye exposure to the light source when this fixture is on.

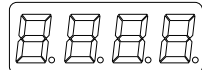
Disclaimer

- We believe that the information contained in this manual is accurate in all respects.
- We assume no responsibility for any error or omission in this document.
- We reserve the right to revise this document and to make changes from time to time in the content without obligation of us to notify any person or company of such revision or changes.
- We may issue a revision of this manual or a new edition of it to incorporate such changes
- This does not constitute in any way a commitment by us to make such change

Technical parameter

Power Supply	AC 100-240V 50/60HZ
Light Source	COB/200W (RGB 3-in-1)
DMX Channel	7CH
Rated Power	200W
Control Mode	Sound/Auto/Jump/Fade/Fan speed setting/Master-slave/DMX512

Display panel key function description



KEY	Function description	
<MENU>	Function selection	DMX console/color selection/gradient/pulse change/jump change/voice control/manual dimming
<UP>	Select up	Increase value
<DOWN>	Select down	Decrease value
<ENTER>	OK key	All settings are saved after pressing this key. The next boot is the current interface function

Display panel functions

A001-A512	DMX console mode 1, adding and subtracting address code values by up and down keys
d001-d512	DMX console mode 2, adding and subtracting address code values through up and down keys
r000-r255	Manually dimming R, change the red brightness through the up and down keys, and the larger the value, the brighter
G000-G255	Manually dimming g, change the green brightness through the up and down keys, and the larger the value, the brighter
b000-b255	Manual dimming B, change the blue brightness through the up and down keys, and the higher the value, the brighter
FH01-FH99	Strobe, change the speed through the up and down keys. The larger the value, the faster
CL01-CL07	Select color, and select different color combinations through up and down keys
CC01-CC99	Jump, change the speed through the up and down keys, and the larger the value, the faster
DE01-dE99	Gradient, through the up and down keys to change the speed, the larger the value, the faster
CP01-CP99	Pulse change: change the speed through the up and down keys. The larger the value, the faster
SU01-SU02	Voice control, select the mode through the up and down keys, su01 voice control stroboscopic, su02 voice control jump

DMX Channel Assignments and Values

D001 channel table

Channel	Value	Function description
CH1	0-255	Total dimming
CH2	0	No stroboscopic
	1-255	Stroboscopic (from slow to fast), the higher the value, the faster the speed
CH3	0	Dimming mode (no self-propelled effect)
	1-62	Color selection (color controlled by CH4)
	63-124	Jump (speed controlled by CH4)
	125-186	Gradient (speed controlled by CH4)
	187-249	Pulse change (speed controlled by CH4)
250-255	Voice control mode (controlled by CH4)	
CH4	0-255	Color selection / color change speed (the higher the value, the faster the speed) / voice control mode 1 mode 2 selection
	0	Red light off
CH5	1-255	Red light linearly adjusts brightness (from dark to bright)
	0	Green light off
CH6	1-255	Green light linearly adjusts brightness (from dark to bright)
	0	Blue light off
CH7	1-255	Blue light linearly adjusts brightness (from dark to bright)

When the DMX signal is received, the first decimal point of the nixie tube will flash, otherwise it will not be received.

A001 channel table

Channel	Value	Function description
CH1	0-255	Total dimming
CH2	0	Red light off
	1-255	Red light linearly adjusts brightness (from dark to bright)
CH3	0	Green light off
	1-255	Green light linearly adjusts brightness (from dark to bright)
CH4	0	Blue light off
	1-255	Blue light linearly adjusts brightness (from dark to bright)
CH5	0	No stroboscopic
	1-255	Stroboscopic (from slow to fast), the higher the value, the faster the speed
CH6	0	Dimming mode (no self-propelled effect)
	1-62	Color selection (color controlled by ch7)
	63-124	Jump (speed controlled by ch7)
	125-186	Gradient (speed controlled by ch7)
	187-249	Pulse change (speed controlled by ch7)
250-255	Voice control mode (controlled by ch7)	
CH7	0-255	Color selection / color change speed (the higher the value, the faster the speed) / voice control mode 1 mode 2 selection

When the DMX signal is received, the first decimal point of the nixie tube will flash, otherwise it will not be received.

Master slave setting

Two or more identical lamps are connected by 3-core signal wires. Any one is set as the host (color selection / gradient / pulse change / jump change / voice control / manual dimming), and other lamps are set as A001 or D001