

BETOPPER[®]

**LED PAR
USER MANUAL**



Model: LPC180/LPC180-H/LPC60

Please read the manual carefully before using

Attention

1. Please read these operating instructions carefully to familiarize you with basic operations of this unit BEFORE USE.
2. Without permitted, it is prohibited to spread the contents of this manual to others.
3. This manual is only to provide related information, and the contents of this manual will be changed at any time without notice.
4. Unless the instructions have already stated, please do not freely modified the unit.

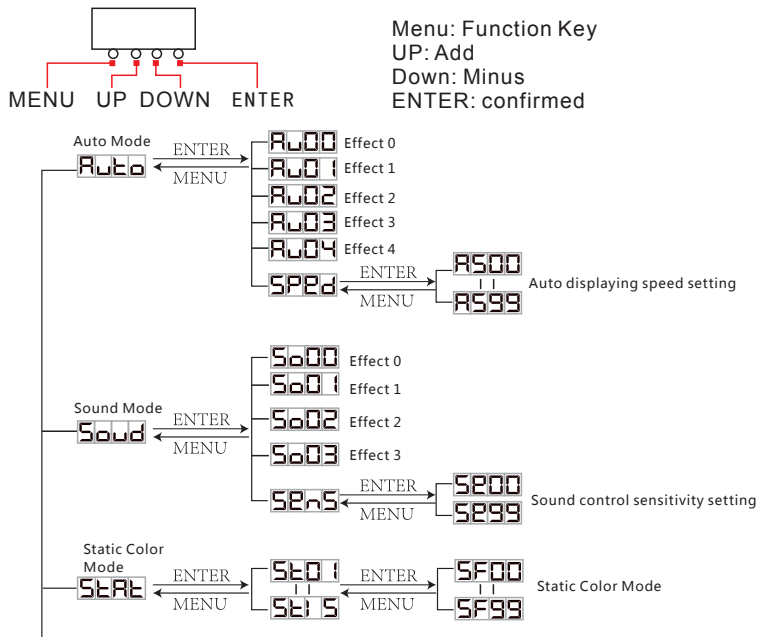
Safety Tips

1. Before installation and maintenance, please confirm the power is OFF. make sure that the ventilation around the unit is good.
2. The lighting is designed for indoor demonstration, please do not use this product in a wet environment for long-term.
3. The use and maintenance of this unit should avoid contact with water. when using it outdoor, please take waterproofing measures.
4. Personnel, who to take the installation, operation and maintenance, must be familiar with the lighting performance. Most of the damage is resulted from unfamiliar with its performance.
5. Please do not face up to the luminous unit for a long time, so as not to cause discomfort to your eyes.
6. Please often wipe the unit with a clean cloth.

Technical Parameters

Model	LPC180	LPC180-H	LPC60
Light Source	60*3W RGB LEDs	60*3W RGB LEDs	60*1.5W RGB LEDs
Rated Power	220W	220W	95W
Max Slave Qty		100VAC/7	220VAC/14
Play Mode	DMX512 Auto/Sound/Master-Slave/DMX512		
DMX Channel	2CH/4CH/7CH		
Standard Configuration	Power Plug, User Manual		
N.W	1.75Kg		1.3Kg

Menu Display



LED PAR Light after service Product warranty card

Please fill in the following content properly and keep it safe for future maintenance. Accordingly, for your each purchase of our systems we have archive Serial number and parameters for future reference.

Testing : warranty: non-warranty:

Mode: _____ Serial No.: _____

Distributor: _____ Address: _____

Tel: _____

About Product Warranty

1. Any product buy from our company (or authorized agent), which used properly, and with this card, can have 1 year warranty for Lights, mechanical parts, electronic parts. If out of the warranty situation, we can provide the paid maintenance service.

2. The warranty is no longer valid in the following situations:

- * Warranty cards and products have no serial numbers..
- * Product is damaged or show significant signs of self-disassembly.
- * Any unauthorized modification (removal or replacement) made to product or it's components.
- * Improper or excessive use of inappropriate repairs which result in a repair failure or injury.
- * Did not follow instructions or use in an environment not suitable for product..
- * Product damage caused by strong impact
- * The warranty cannot be extended if the product as been serviced
- * Light Source normal degradation
- * Warranty card must be filled out with receipt of purchasing in order for the warranty to be valid.
- * Product is damaged due to abnormal voltage or caused by other accidents (ex. Natural disasters).

3. The Company reserves the right to interpret the provisions above. The content of these articles is subject to change without notice!



Please follow our facebook page " Betopper" to get the newest product & latest discount.

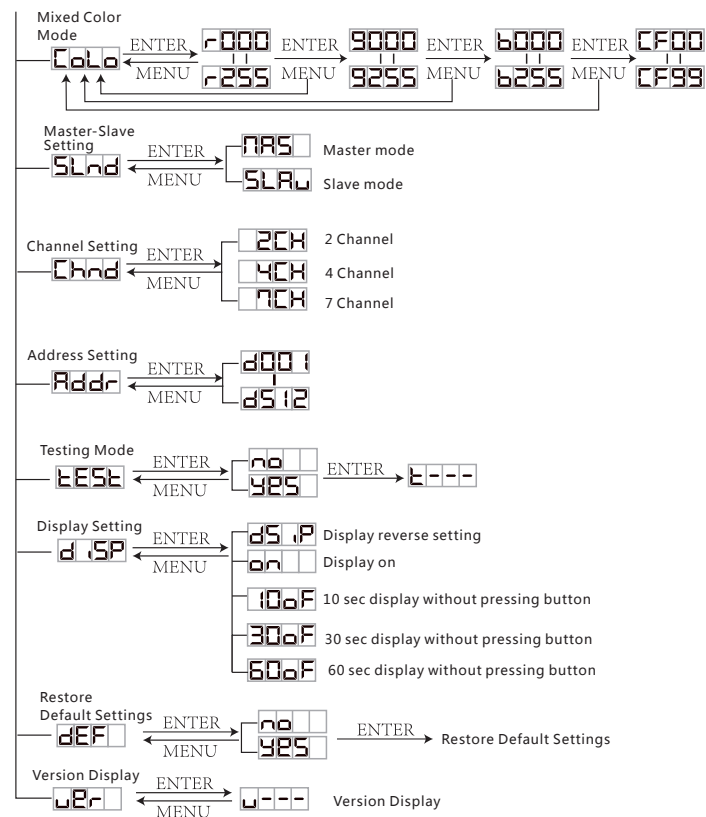


After-sales Service:

North America: usservice@betopper.com
Japan: jpsservice@betopper.com
Europe: euservice@betopper.com

7 channel mode

CH	value	function
1	000-255	master dimmer(0%---100%)
2	000-009	strobe stop
	010-255	strobe speed slow--- fast(1HZ---20HZ)
3	000-255	auto speed slow--- auto speed fast
	000-009	Blackout
4	010-019	Red
	020-029	Green
	030-039	Blue
	040-049	Grass green (R-180,G-255)
	050-059	Amber(R-255,G-150)
	060-069	Orange (R-255,G-200)
	070-079	Yellow (R-255,G-255)
	080-089	Cyan (G-255,B-255)
	090-099	Lavender (R-170,B-210)
	100-109	Pink (R-255,G-150,B-150)
	110-119	Rosiness (R-255,B-120)
	120-129	Magenta (R-255,B-180)
	130-139	Pea green (R-180,G-255,B-180)
	140-149	Orange (R-200,G-200,B-150)
	150-159	White (R-255,G-250,B-200)
	160-174	colour jumping
	175-189	colour snap
	190-204	colour strobe
	205-219	Colour fade
220-234	Auto all	
235-255	Sound	
5	0-255	Red (0%-----100%)
6	0-255	Green (0%-----100%)
7	0-255	Blue (0%-----100%)



Auto Mode

Press MENU until the digital display show **Auto** , press ENTER to Auto Mode
 Press UP/DOWN to change Auto Mode effect ,adjustment range from **R000** - **R004** ,press ENTER and save setting
 Press UP/DOWN till the digital display show **SPED** , press ENTER to Auto speed setting, adjustment range from **R500** - **R599** , **R500** is the slowest, **R599** is the fastest, press ENTER and save setting.
 Press MENU to quit current menu , return to previous menu.

Sound Mode

Press MENU until the digital display **Sound** , press ENTER to Sound Mode
 Press UP/DOWN to change Sound Mode effect ,adjustment range from **S000** - **S003** ,press ENTER and save setting
 Press UP/DOWN till the digital display **SENS** , press ENTER to acoustic sensitivity setting, adjustment range from **S200** - **S299** , **S200** is the lowest, **S299** is the highest, press ENTER and save setting.
 Press MENU to quit current menu , return to previous menu.

Static Color Mode

Press MENU until the digital display **STAT** , press ENTER to Static Color Mode
 Press UP/DOWN to change the color of Static Color Mode, adjustment range from **S001** - **S015** ,
 press ENTER to save setting and get in color strobe speed setting, adjustment range from **SF00** - **SF99** ,
SF00 no strobe, **SF01** strobe the slowest, **SF99** strobe the fastest, press ENTER and save setting.
 Press MENU to quit current menu , return to previous menu.

Mixed Color Mode

Press MENU until the digital display **CoLo** , press ENTER to Mixed Color Mode
 When the digital display show **r---** , press UP/DOWN to adjust red brightness value setting, adjustment range from **r000** - **r255** .Press ENTER to get in green brightness value setting.
 When the digital display show **g---** , press UP/DOWN to adjust green brightness value setting, adjustment range from **g000** - **g255** .Press ENTER to get in blue brightness value setting.
 When the digital display show **b---** , press UP/DOWN to adjust blue brightness value setting, adjustment range from **b000** - **b255** .Press ENTER to get in mixed color strobe speed setting.

When the digital display **CF00** , press UP/DOWN to adjust mixed color strobe speed setting, adjustment range from **CF00** -**CF99**. Press ENTER to get in red brightness value setting.

When brightness value setting, 000 is the brightness lowest, 255 is the brightness highest

When strobe speeding setting, 00 no strobe, 01 strobe speed is the slowest, 99 strobe speed is the fastest.

The parameter setting will be auto save, no need to press ENTER to save.

Press MENU to quit current menu , return to previous menu

Master-Slave Setting

Press MENU until the digital display show **SLnd**, press ENTER to Master-Slave Setting. Press UP/DOWN to adjust Master slave setting, press ENTER to save setting. Master-Slave setting are **MAS** , **SLAV** .

MAS : Master mode, multiple lamps connect together, there must be one master lamp, the others are slave lamps

SLAV : Slave mode ,multiple lamps use online, master and slave lamps are in same step.

Press MENU to quit current menu , return to previous menu

Channel Setting

Press MENU until the digital display show **Chnd**, press ENTER to channel Setting. Press UP/DOWN to adjust channel setting, press ENTER to save setting.

Channel settings are **2CH**, **4CH** and **7CH** .

Press MENU to quit current menu , return to previous menu

Address Setting

Press MENU until the digital display show **Addr** , press ENTER to Address Setting. Press UP/DOWN to adjust DMX address, press ENTER to save setting.

Address adjustment range is **0001** - **2512**

Press MENU to quit current menu , return to previous menu

Testing Mode

Press MENU until the digital display show **TEST**, press ENTER to Testing Mode. Press UP/DOWN to adjust testing mode, testing mode are **no** and **YES** .

no : Press ENTER, quit current menu return to previous menu

YES : Press ENTER to testing mode, the lamp will test the color by the order of red-green-blue-off-red .

Press MENU to quit current menu , return to previous menu

Display Setting

Press MENU until the digital display show **dSP** press ENTER to Display Setting. Press UP/DOWN to adjust display setting. Press ENTER to save setting.

Display setting are **dSP**, **on** , **10oF**, **30oF** , **60oF**

dSP: Digital display backward

on : Digital display is steady

10oF: Display off after 10 seconds without pressing the button

30oF: Display off after 30 seconds without pressing the button

60oF: Display off after 60 seconds without pressing the button

Press MENU to quit current menu , return to previous menu

Restore Default Settings

Press MENU until the digital display show **def** , press ENTER to restore default setting. Press UP/DOWN to restore default setting. Restore default settings are **no** and **YES** .

no : Press ENTER, quit current menu, return to previous menu.

YES : Press ENTER to restore default setting

Press MENU to quit current menu , return to previous menu

The default factory values are as follows:

- 1.Light in to auto mode, auto performance effect return to **A004**, auto speed return to **A595** .
- 2.Sound control return to **S003** ,sound sensitivity return to **S250** .
3. Static color mode return to **S15** ,static color strobe speed return to **SF00** .
- 4.Mixed color brightness value return to 255,mixed color strobe speed return to **CF00** .
- 5.Master-Slave mode return to **SLAV**
- 6.Channel setting is **7CH**
- 7.Address code is **0001**
- 8.Digital display is forwards on.

Version Display

Press MENU till the digital display show **VER** , press ENTER to check the software version

Press MENU to quit current menu, return to previous menu

Temperature Display

Press MENU for 5 seconds under any mode, the digital display will show XXC,XX stands for the light board temperature. Press any key to quit temperature display.

Overheat Protection

When the light temperature $\geq 65^{\circ}\text{C}$, the light brightness will be lower.

When the light temperature $\geq 85^{\circ}\text{C}$, the light will be turn off.

When the light temperature $\leq 65^{\circ}\text{C}$, the light will be turn on.

DMX Channel function

2 channel mode

CH	Value	function
1	000-255	master dimmer(0%---100%)
2	000-016	Red
	017-033	Green
	034-050	Blue
	051-067	Grass green (R-180,G-255)
	068-084	Amber(R-255,G-150)
	085-101	Orange (R-255,G-200)
	102-118	Yellow (R-255,G-255)
	119-135	Cyan (G-255,B-255)
	136-152	Lavender (R-170,B-210)
	153-169	Pink (R-255,G-150,B-150)
	170-186	Rosiness (R-255,B-120)
	187-203	Magenta (R-255,B-180)
	204-220	Pea green (R-180,G-255,B-180)
	221-237	Orange (R-200,G-200,B-150)
238-255	White (R-255,G-250,B-200)	

4 channel mode

CH	Value	function
1	0-255	Red (0%-----100%)
2	0-255	Green (0%-----100%)
3	0-255	Blue (0%-----100%)
4	000-009	strobe stop
	010-255	strobe speed slow--- fast(1HZ---20HZ)